






WE ARE WINDOW WIDGETS

Window Widgets began in 2000 and since then we have been delivering reliable and innovative glazing solutions to the fenestration industry. With in-house extrusion, injection moulding, CNC production, 3D design and prototyping and a quality laboratory, we ensure we are providing the complete solution for our customers.

The Window Widgets brand is widely recognised and respected within the industry, but the amount of products we offer to make manufacturing and installing windows, doors and conservatories a simpler and more efficient process is not always fully understood. Our products are time-tested and accredited where required to ensure that you can make, fit and forget.

A stylized illustration of a hand with a brown skin tone pointing its index finger towards the center of a white computer keyboard. The keyboard keys are labeled with various characters including function keys (F1-F7), numbers with symbols (£, \$, %, &, *), and letters (W, E, R, Y, U, I, S, L, J, K, M). The background behind the keyboard is a blue and white polka-dot pattern.

**EMAIL YOUR ORDERS TO
SALES@WINDOWWIDGETS.CO.UK**

A stylized illustration of a hand with a brown skin tone pointing its index finger towards the center of a white computer keyboard. The keyboard keys are labeled with various characters including function keys (F1-F7), numbers with symbols (£, \$, %, &, *), and letters (W, E, R, Y, U, I, S, L, J, K, M). The background behind the keyboard is a blue and white polka-dot pattern.

**HELLO? IS IT AN
ANSWER YOU'RE
LOOKING FOR?
CALL US
01452 300912**

CONTENTS

C	Couplers	4-25	Wb	Weatherbar	120-121
B	Baypoles	26-43	A	Ancillaries	122-127
Cp	Corner-posts	44-53	Pp	Protection Products	128-131
J	Jacks	54-81	Bp	Bridge Packers	132-133
P	Pilaster	82-85	Dc	Drainage Caps	134-135
M	Mighty Mullion	86-89	Ru	Run-up Blocks	136-137
Mb	Multi-beam	90-91	Lw	Locking Wedges	138-139
Nc	Nicholls & Cooke	92-95	Fl	Fixing Lugs	140-153
Vs	Vertical Sliders	96-101	Ft	Foiled Trims	154-155
As	Ali Solutions	102-111	Fq	FAQs	156-157
W	Werbar	112-119			





Couplers

Our in-line couplers are universal and able to accommodate 58mm - 76mm deep frames.

Couplers are available in various widths, strengths and sizes for any application. Bounce bars, structural loading or simply reduced sight-lines for frame to frame coupling, colour options, lead time & additional technical information can all be found on our website www.windowwidgets.co.uk



IN-LINE



UNIVERSAL



MULTI USE



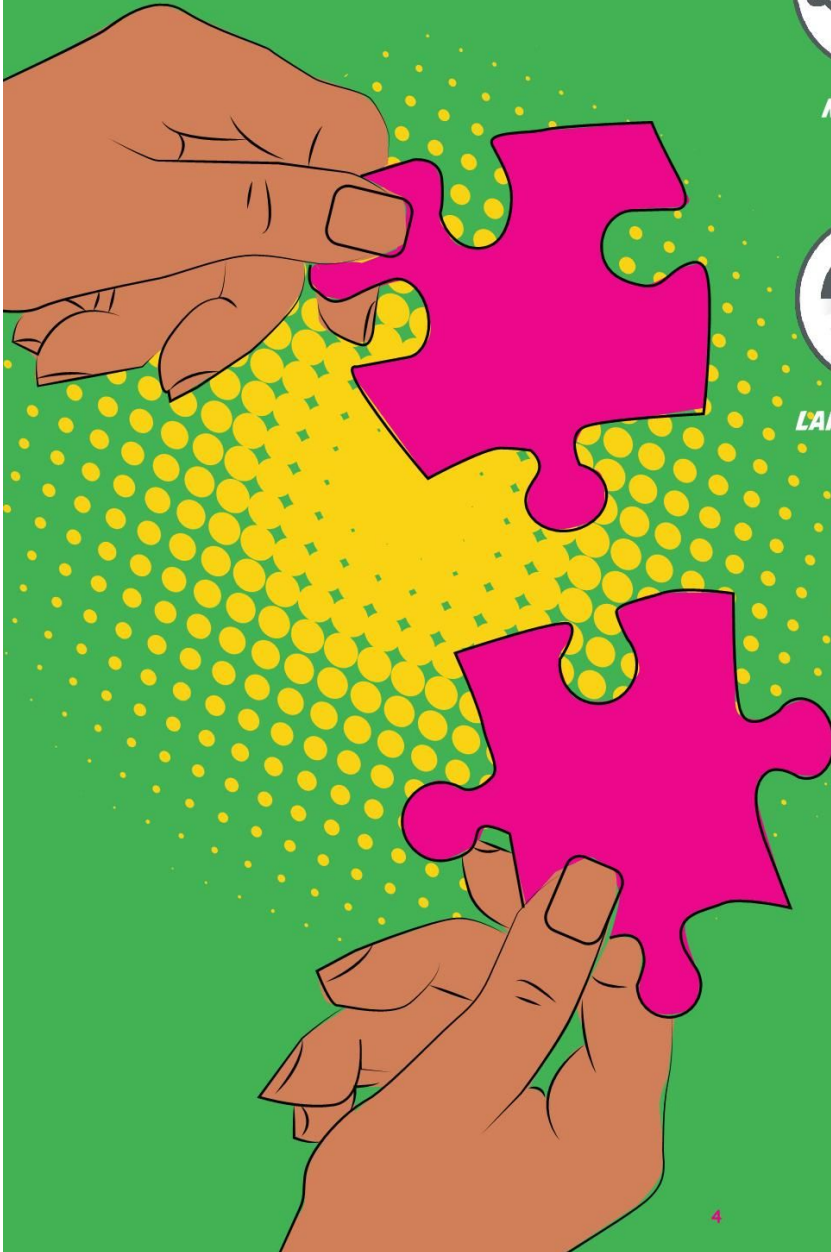
LOAD BEARING



LARGE RANGE



QUICK LEAD TIME



C COUPLER TRIMS

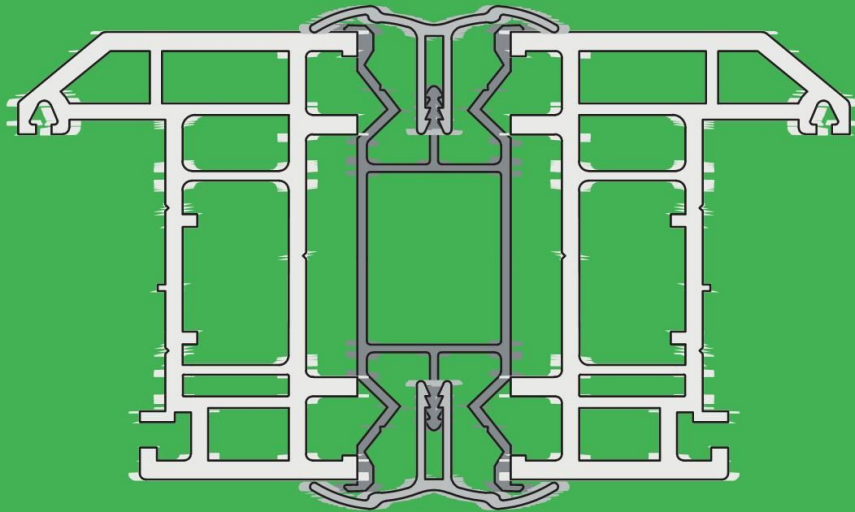
Same Coupler - Different Trims.

Our trims are interchangeable. When you see the 'D/P' stamp this means the trims can be swapped for a different finish.

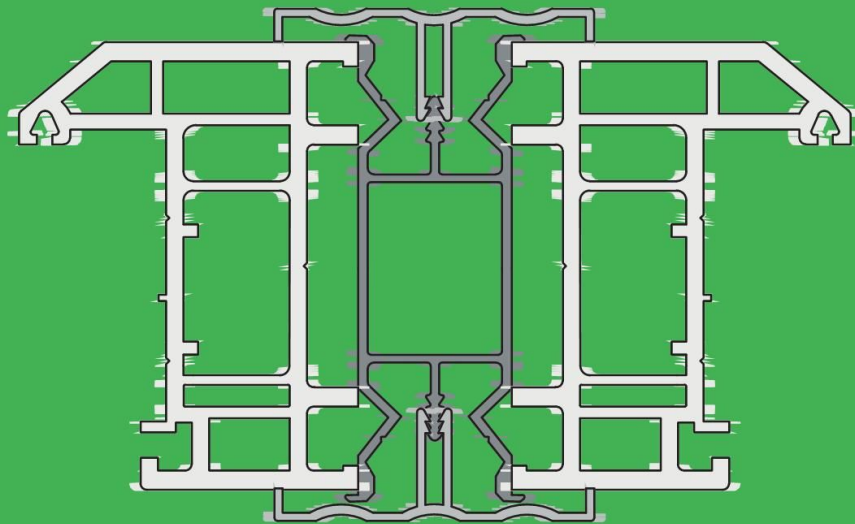
Please visit the website for where the trims can be interchangeable on variable baypoles.



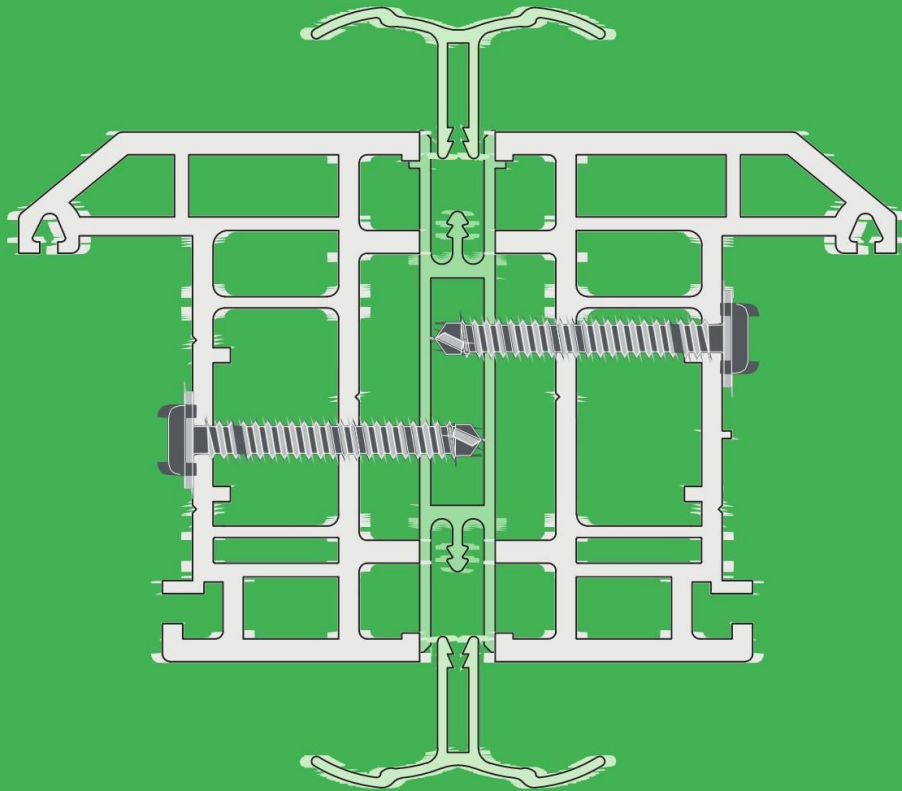
DBI



PILDT

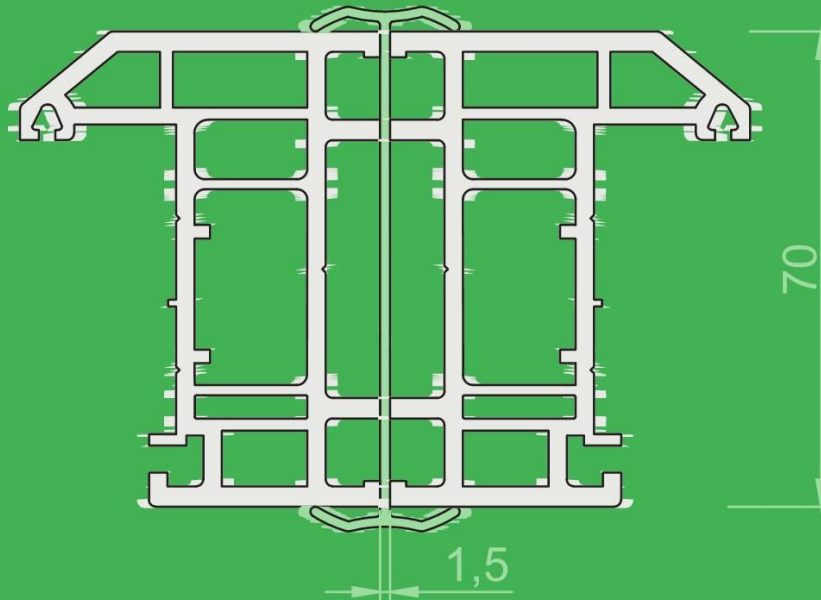


C FIXING DETAILS

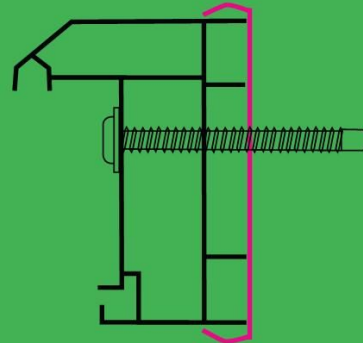


C PFC70 IN-LINE

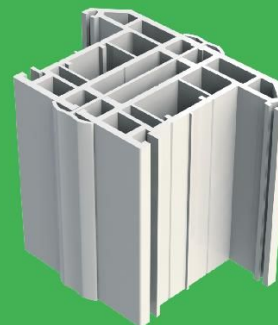
1.5mm Coupler for all 70mm systems - a simple PVC design with a decorative feature to the visible faces.



NAME	PFC70
IXX (cm ⁴)	N/A
IYY (cm ⁴)	N/A
FRAME DEDUCTION	0.75mm
EXTERNAL TRIM	N/A
INTERNAL TRIM	N/A
UN-FOILED	YES
FOILED	YES
JACK-ABLE	N/A

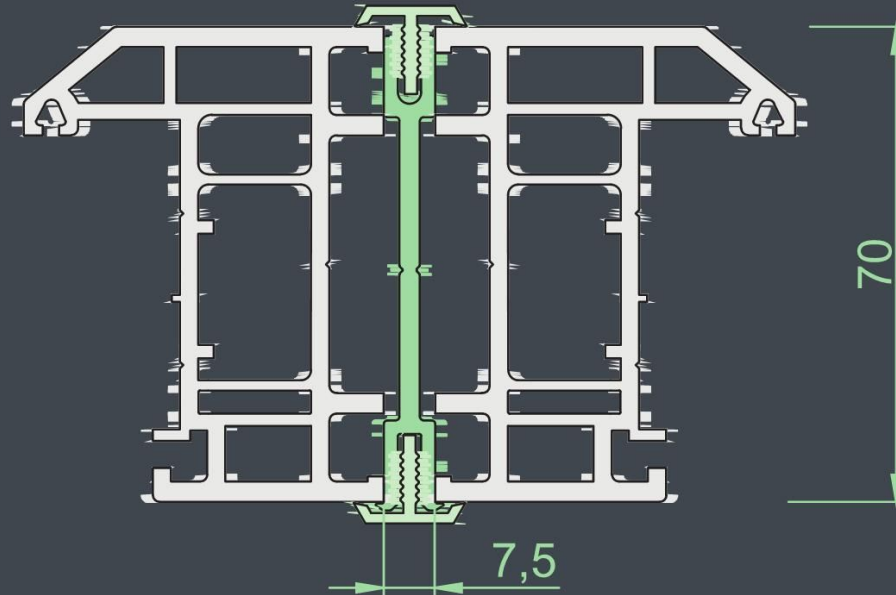


Screw fix from one side.
Fix through frame, coupler and adjoining frame.

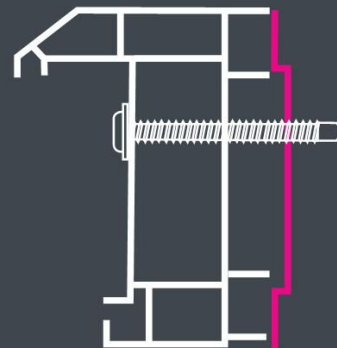


C 482030 IN-LINE

7.5mm coupler for 70mm frames.



NAME	482030
IXX (cm ⁴)	11.90
IYY (cm ⁴)	0.10
FRAME DEDUCTION	3.75mm
EXTERNAL TRIM	TTRIM
INTERNAL TRIM	TTRIM
UN-FOILED	YES
FOILED	YES
JACK-ABLE	N/A



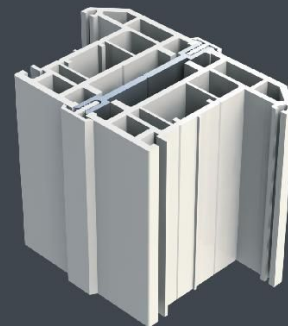
Screw fix from one side.
Fix through frame, coupler and adjoining frame.



Universal
Product

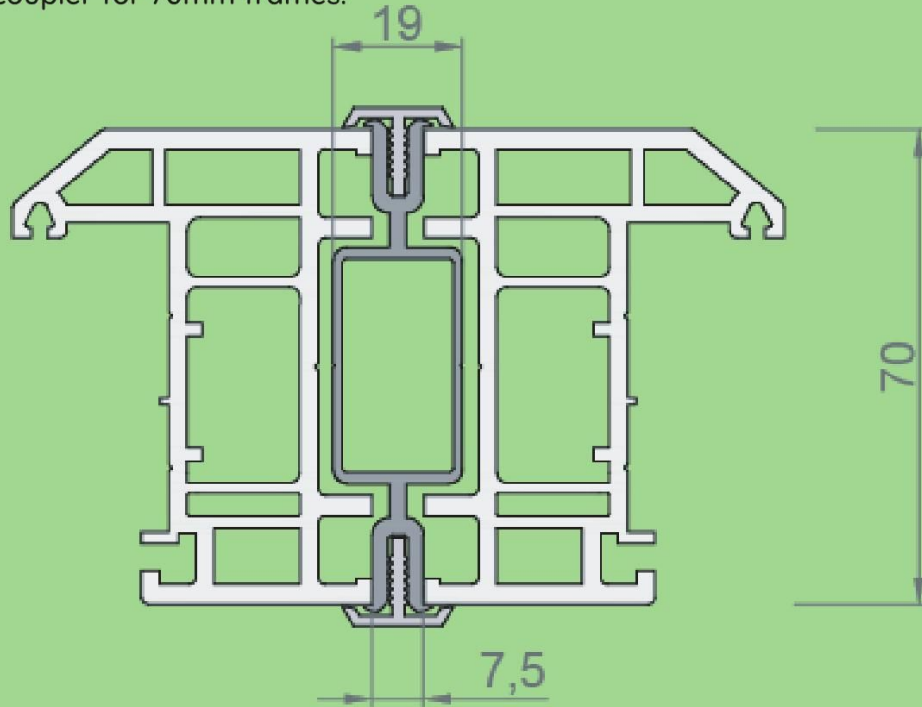


70mm
System

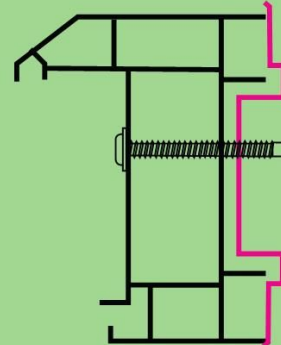


C WWSJC75 IN-LINE

7.5mm jack-able coupler for 70mm frames.



NAME	WWSJC75
IXX (cm⁴)	15.14
IYY (cm⁴)	0.90
FRAME DEDUCTION	3.75mm
EXTERNAL TRIM	TTRIM
INTERNAL TRIM	TTRIM
UN-FOILED	YES
FOILED	YES
JACK-ABLE	JACK-46



Screw fix from one side.
Fix through frame, coupler and adjoining frame.



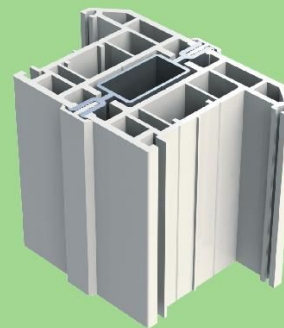
Jack-able
Product



70mm
System

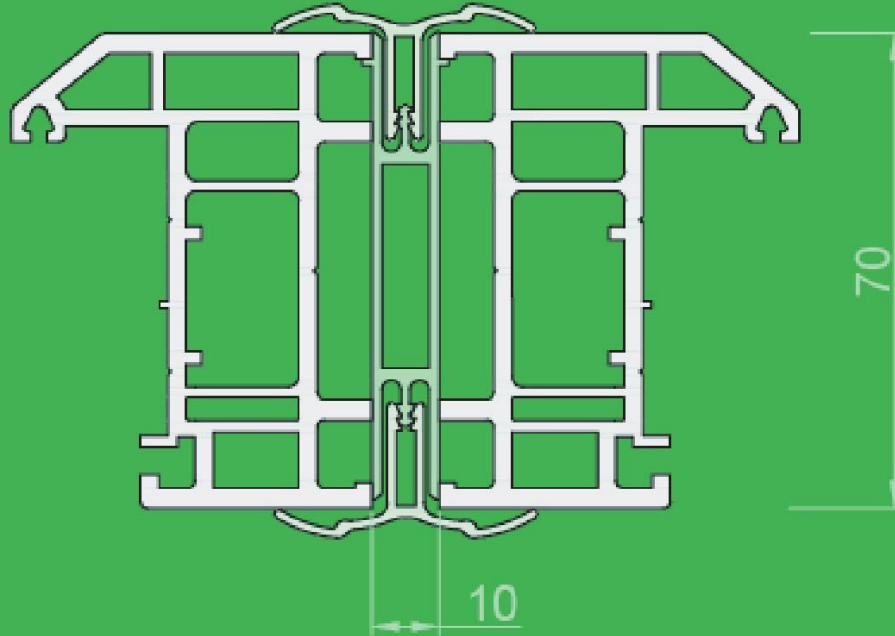
All our Jacks are tested to 9 Tonnes and are CE approved No. 0086-CPR-614908

HEIGHT	LOAD BEARING
900	Capped at 2 Tonnes
1200	
1500	
1800	1.9 Tonnes
2100	1.7 Tonnes
2400	1.6 Tonnes

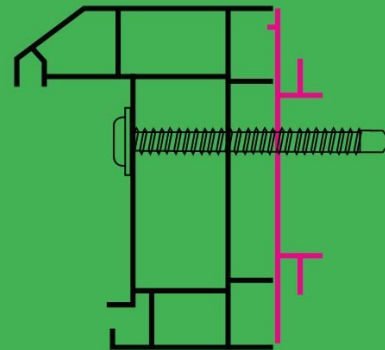


C WWL150 IN-LINE

10mm coupler for all 70mm systems.



NAME	WWL150
IXX (cm ⁴)	9.97
IYY (cm ⁴)	0.40
FRAME DEDUCTION	5mm
EXTERNAL TRIM	DBI
INTERNAL TRIM	DBI
UN-FOILED	YES
FOILED	YES
JACK-ABLE	N/A



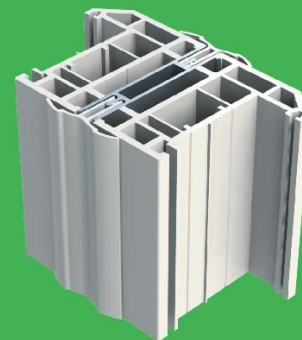
Screw fix from one side.
Fix through frame, coupler and adjoining frame.



Universal
Product

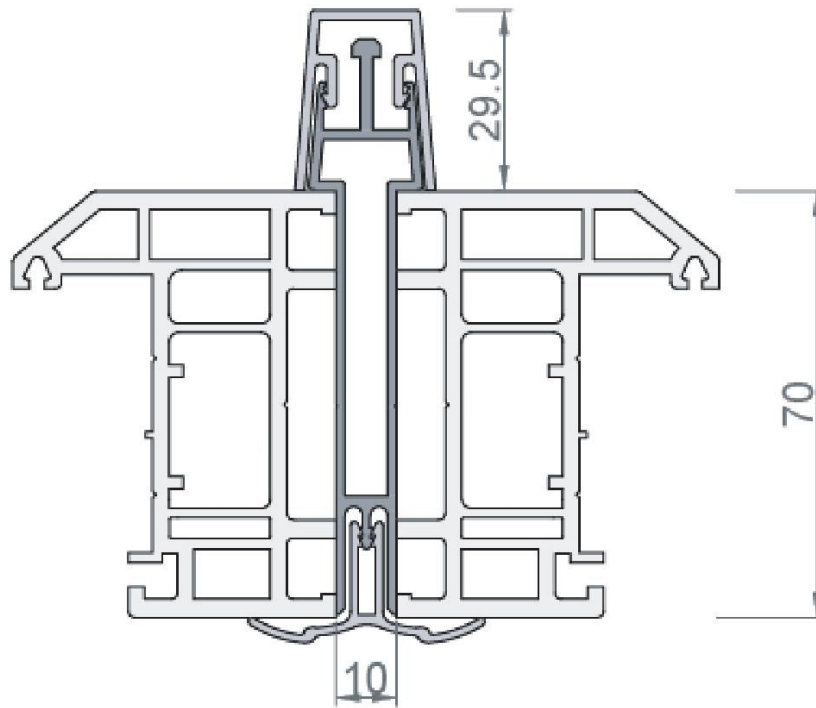


70mm
System

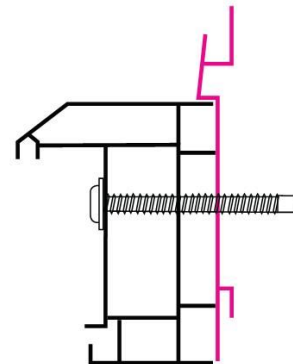


C WWL153 IN-LINE

10mm coupler - the perfect door solution for all 70mm frames.



NAME	WWL153
IXX (cm⁴)	27.95
IYY (cm⁴)	0.79
FRAME DEDUCTION	5mm
EXTERNAL TRIM	DBI
INTERNAL TRIM	R203
UN-FOILED	YES
FOILED	YES
JACK-ABLE	N/A



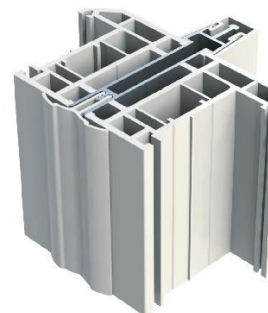
Screw fix from one side.
Fix through frame, coupler and adjoining frame.



Universal Product

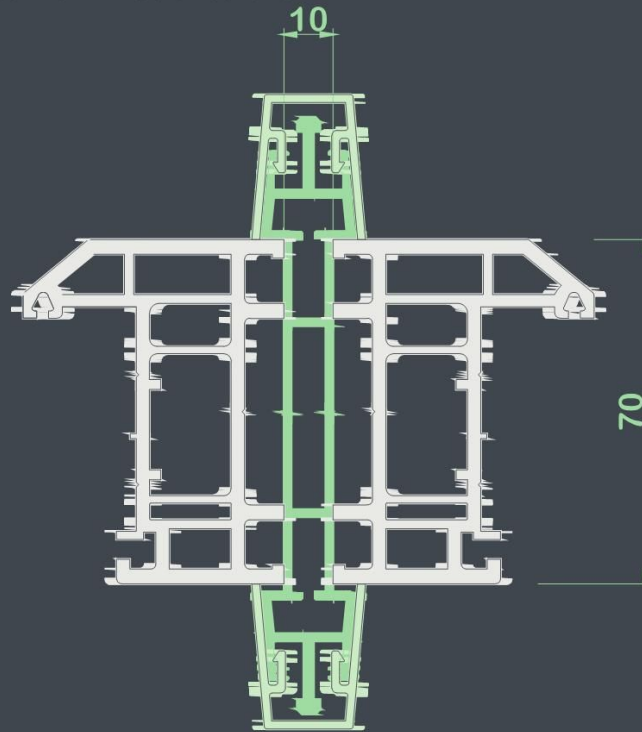


70mm System

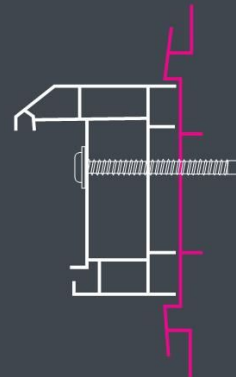


C WWL154 IN-LINE

10mm coupler - the perfect 70mm door solution.



NAME	WWL154
IXX (cm⁴)	65.23
IYY (cm⁴)	1.22
FRAME DEDUCTION	5mm
EXTERNAL TRIM	R203
INTERNAL TRIM	R203
UN-FOILED	YES
FOILED	YES
JACK-ABLE	N/A

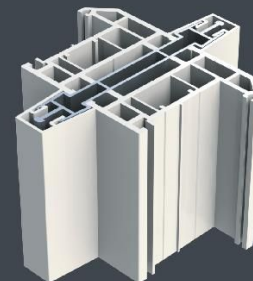


Screw fix from one side.
Fix through frame, coupler and adjoining frame.



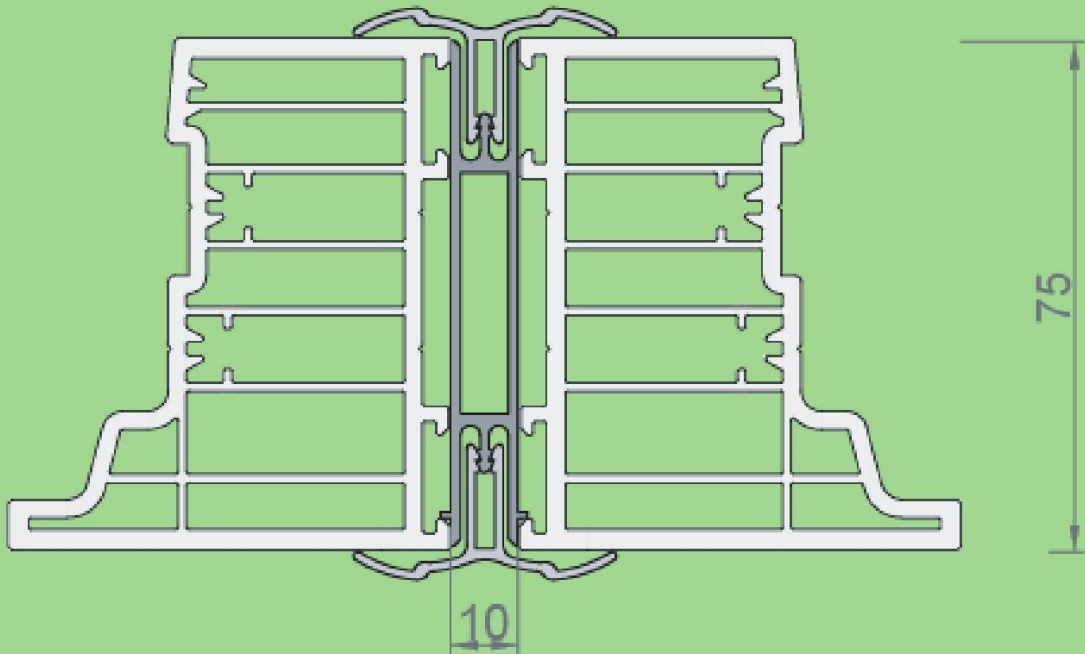
Universal
Product

70mm
System

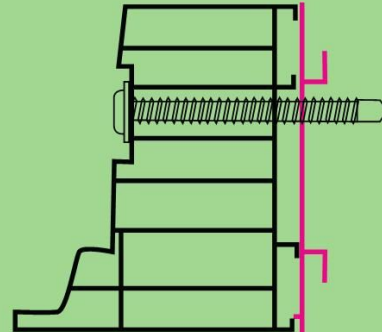


C R7120 IN-LINE

10mm coupler suitable for 75-76mm frames.



NAME	R7120
IXX (cm ⁴)	12.61
IYY (cm ⁴)	0.43
FRAME DEDUCTION	5mm
EXTERNAL TRIM	DBI
INTERNAL TRIM	DBI
UN-FOILED	YES
FOILED	YES
JACK-ABLE	N/A



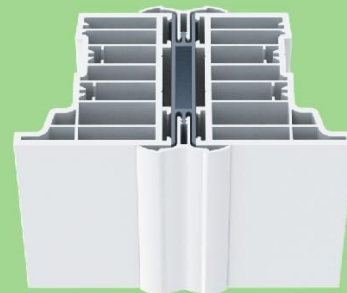
Screw fix from one side.
Fix through frame, coupler and adjoining frame.



Universal
Product

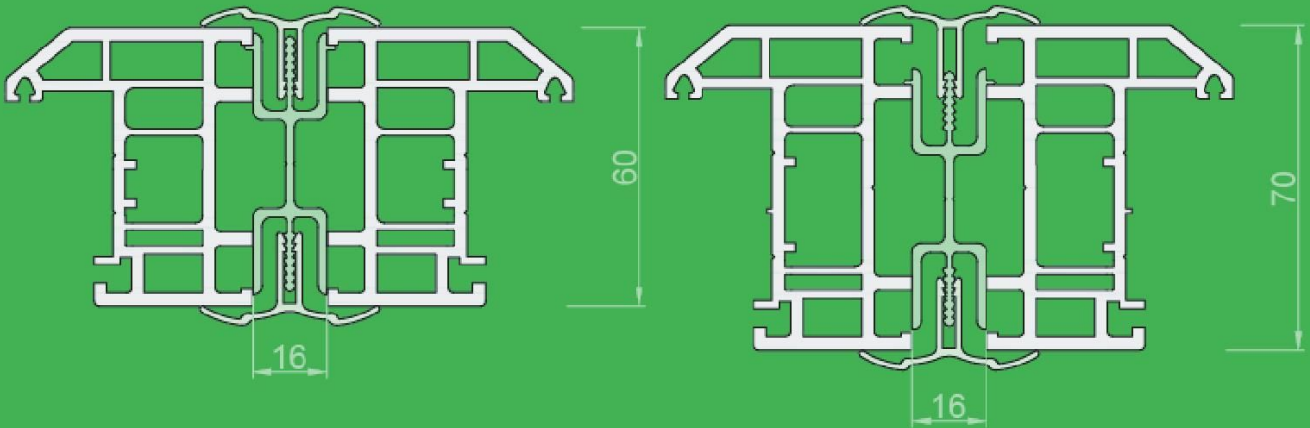


75/76mm
System

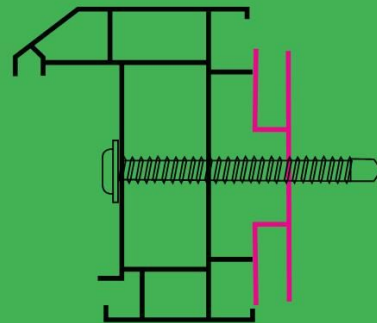


C 482029 IN-LINE

16mm coupler suitable for both 60mm and 70mm frames.

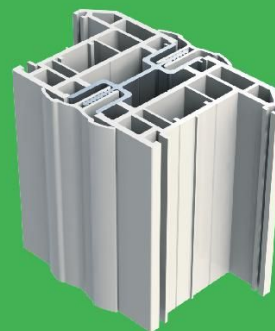


NAME	482029
IXX (cm ⁴)	8.85
IYY (cm ⁴)	0.80
FRAME DEDUCTION	9mm
EXTERNAL TRIM	DBI/PILDT
INTERNAL TRIM	DBI/PILDT
UN-FOILED	YES
FOILED	YES
JACK-ABLE	N/A



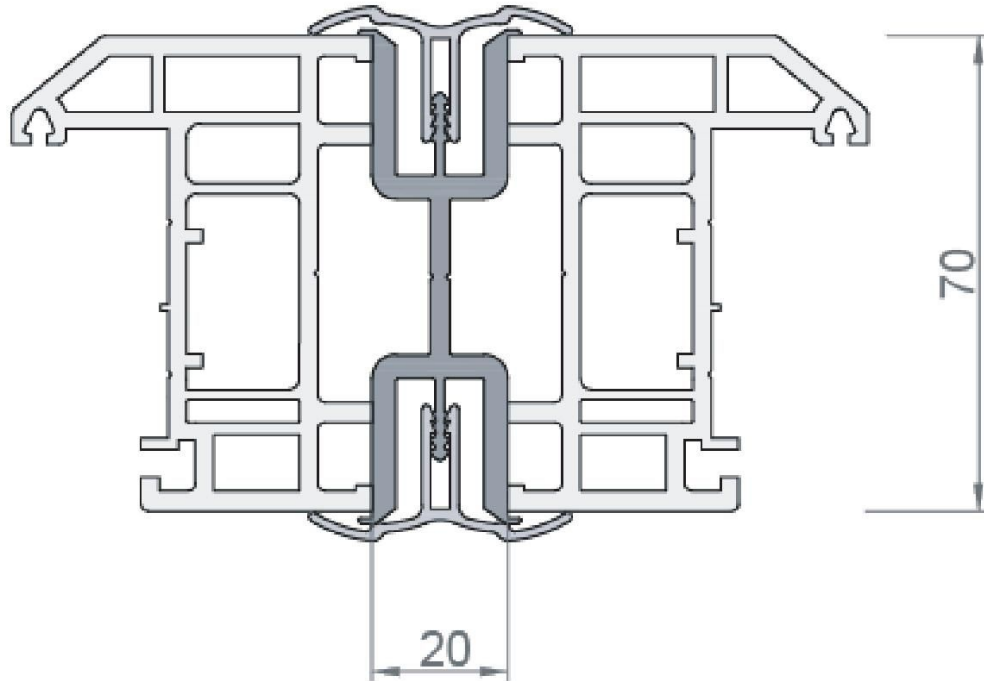
Screw from outside detail.
Frames can be screw-fitted through the coupler into the frame before the trim is added. This allows pre-glazed frames to be installed.

			
Universal Product	58/60mm System	70mm System	DBI/PILDT

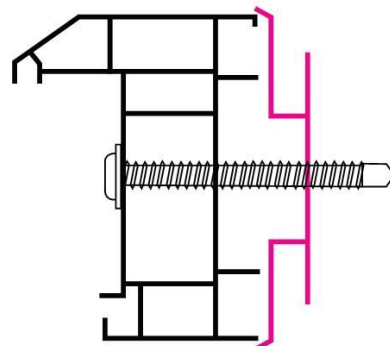


C WWL106 IN-LINE

20mm coupler for 70mm frames.



NAME	WWL106
IXX (cm⁴)	24.5
IYY (cm⁴)	2.4
FRAME DEDUCTION	10mm
EXTERNAL TRIM	DBI/PILDT
INTERNAL TRIM	DBI/PILDT
UN-FOILED	YES
FOILED	YES
JACK-ABLE	N/A



Screw fix from one side.
Fix through frame, coupler and adjoining frame.



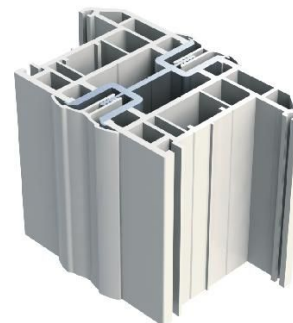
Universal Product



70mm System

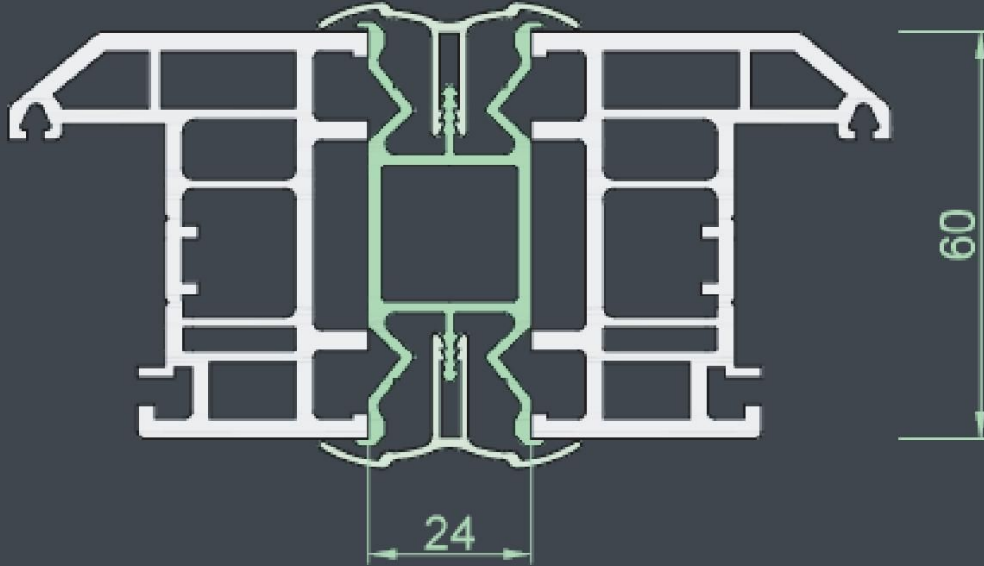


DBI/PILDT

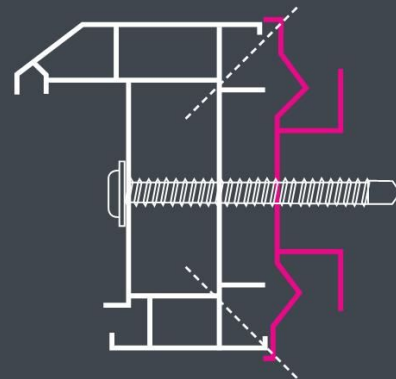


C 482189 IN-LINE

24mm coupler suitable for 60mm frames.



NAME	482189
IXX (cm ⁴)	11.26
IYY (cm ⁴)	3.14
FRAME DEDUCTION	12mm
EXTERNAL TRIM	DBI/PILDT
INTERNAL TRIM	DBI/PILDT
UN-FOILED	YES
FOILED	YES
JACK-ABLE	N/A



Screw from outside detail.
Frames can be screw-fitted through the coupler into the frame before the trim is added. This allows pre-glazed frames to be installed.



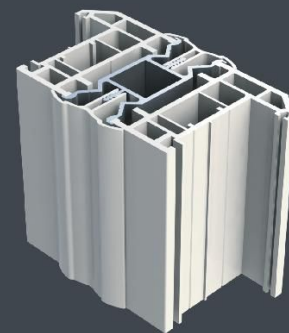
Universal
Product



58/60mm
System

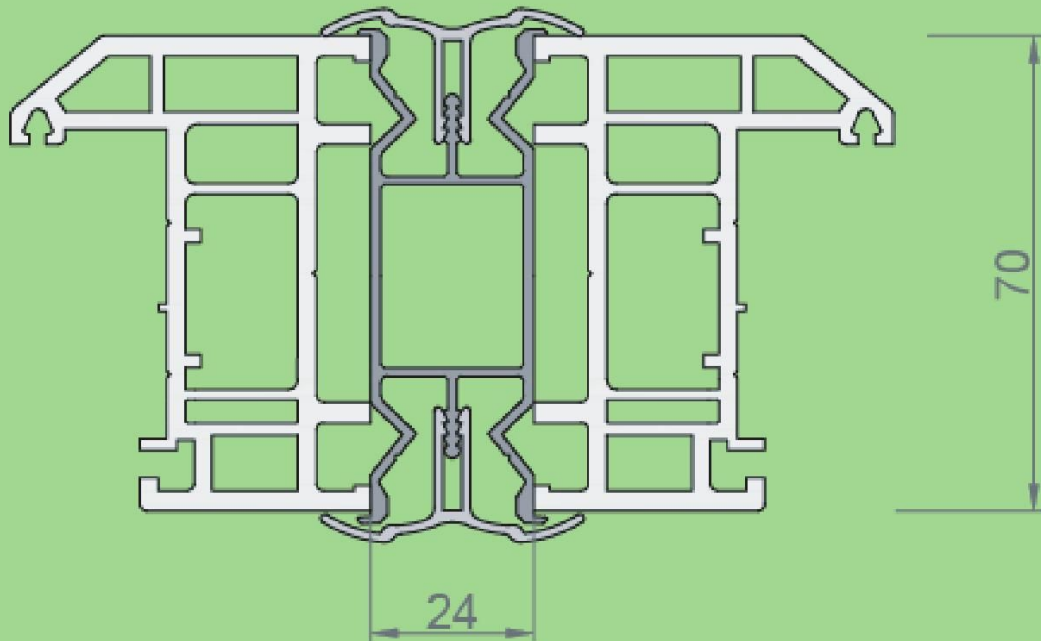


DBI/PILDT

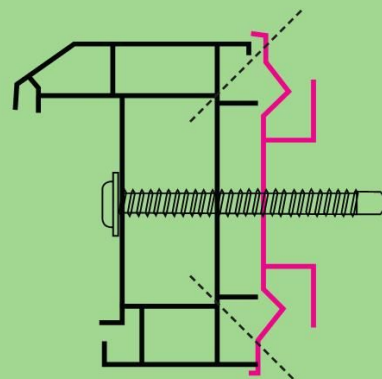


C 482136 IN-LINE

24mm jack-able coupler for 70mm frames.



NAME	482136
IXX (cm⁴)	16.47
IYY (cm⁴)	3.09
FRAME DEDUCTION	12mm
EXTERNAL TRIM	DBI/PILDT
INTERNAL TRIM	DBI/PILDT
UN-FOILED	YES
FOILED	YES
JACK-ABLE	JACK-11



Screw from outside detail.
Frames can be screw-fitted through the coupler into the frame before the trim is added. This allows pre-glazed frames to be installed.



Universal Product



Jack-able System



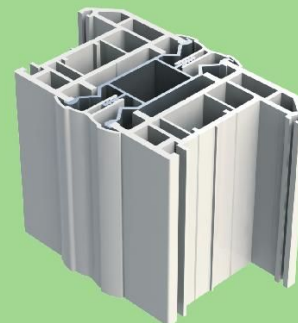
70mm System



DBI/PILDT

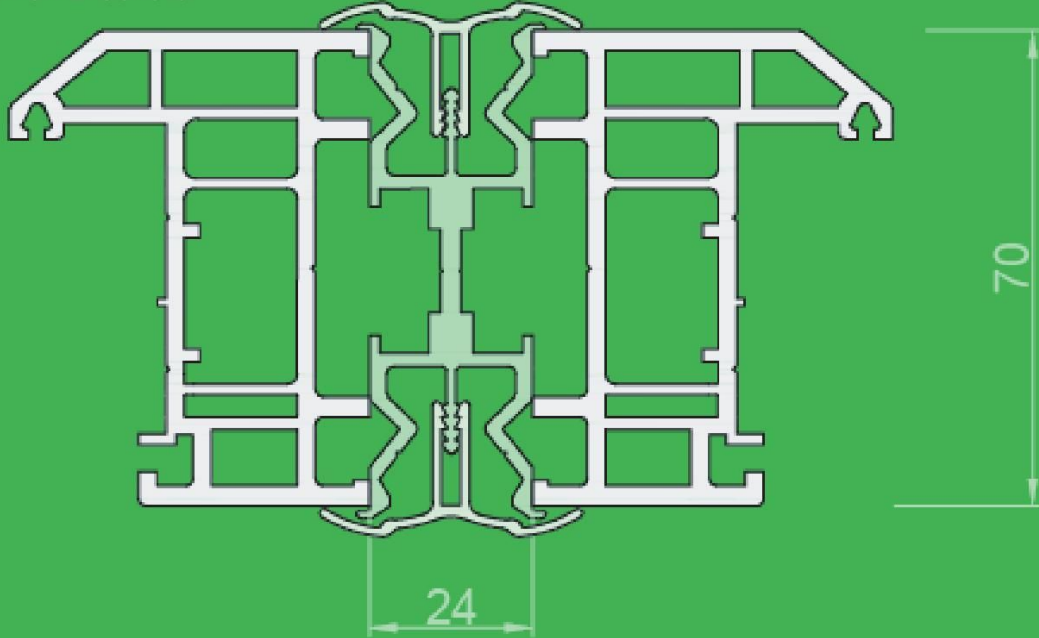
All our Jacks are tested to 9 Tonnes and are CE approved No. 0086-CPR-614908

HEIGHT	LOAD BEARING
900	Capped at 2 Tonnes
1200	
1500	
1800	
2100	
2400	1.8 Tonnes

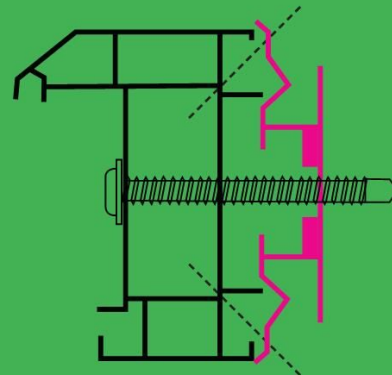


C MM18070 IN-LINE

24mm heavy duty coupler for 70mm frames. Designed with anti-racking retaining slots. This product can incorporate Brackets to make your coupler even more resilient - see pages 87+88 for information on Brackets.



NAME	MM18070
IXX (cm⁴)	20.45
IYY (cm⁴)	2.99
FRAME DEDUCTION	12mm
EXTERNAL TRIM	DBI/PILDT
INTERNAL TRIM	DBI/PILDT
UN-FOILED	YES
FOILED	YES
LOAD PLUG	MMCLP180 / MMCLP180BKT
BRACKETS	MM200BKT / MM200FBKT
JACK-ABLE	N/A



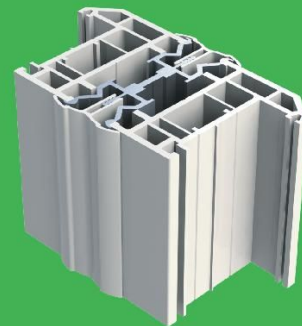
Screw from outside detail.
Frames can be screw-fitted through the coupler into the frame before the trim is added. This allows pre-glazed frames to be installed.



Universal Product Heavy Duty 70mm System Brackets DBI/PILDT

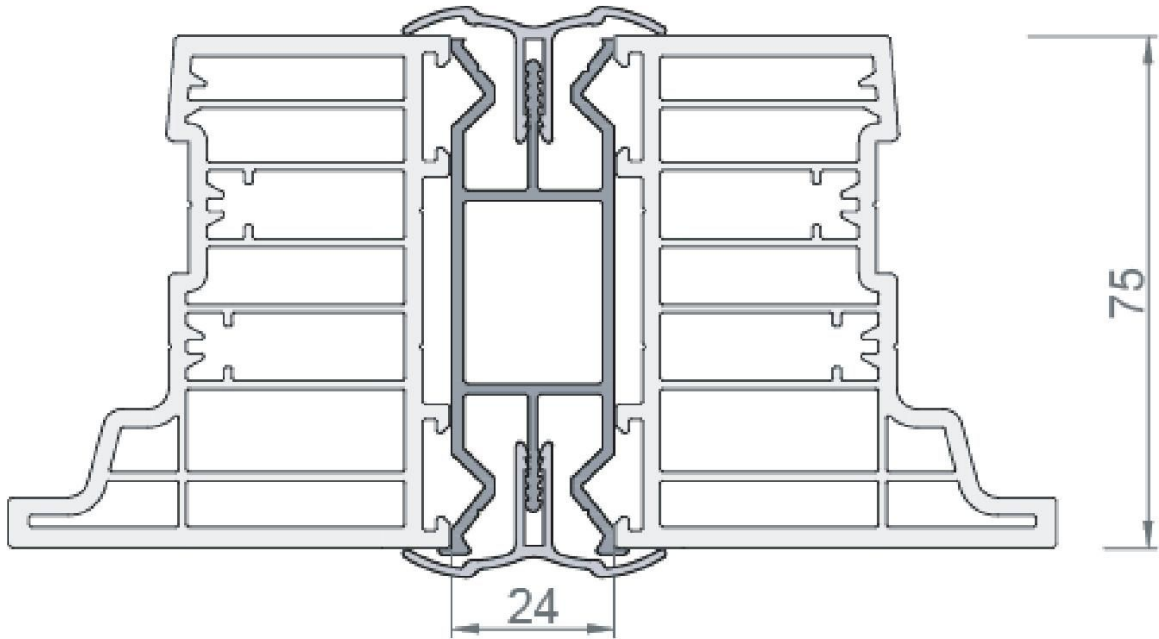
All our Jacks are tested to 9 Tonnes and are CE approved No. 0086-CPR-614908

HEIGHT	LOAD BEARING
900	Capped at 2 Tonnes
1200	
1500	
1800	
2100	
2400	

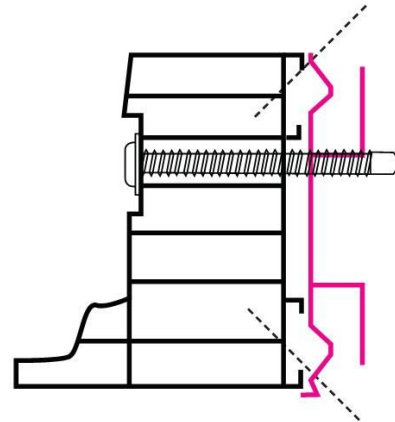


C R7107 IN-LINE





24mm jack-able coupler suitable for 75-76mm frames.



NAME	R7107
IXX (cm⁴)	21.20
IYY (cm⁴)	3.45
FRAME DEDUCTION	12mm
EXTERNAL TRIM	DBI/PILDT
INTERNAL TRIM	DBI/PILDT
UN-FOILED	YES
FOILED	YES
JACK-ABLE	JACK-11

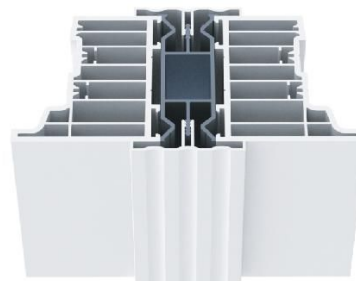


Screw from outside detail.
Frames can be screw-fitted through the coupler into the frame before the trim is added. This allows pre-glazed frames to be installed.

			
Universal Product	Jack-able System	75/76mm System	DBI/PILDT

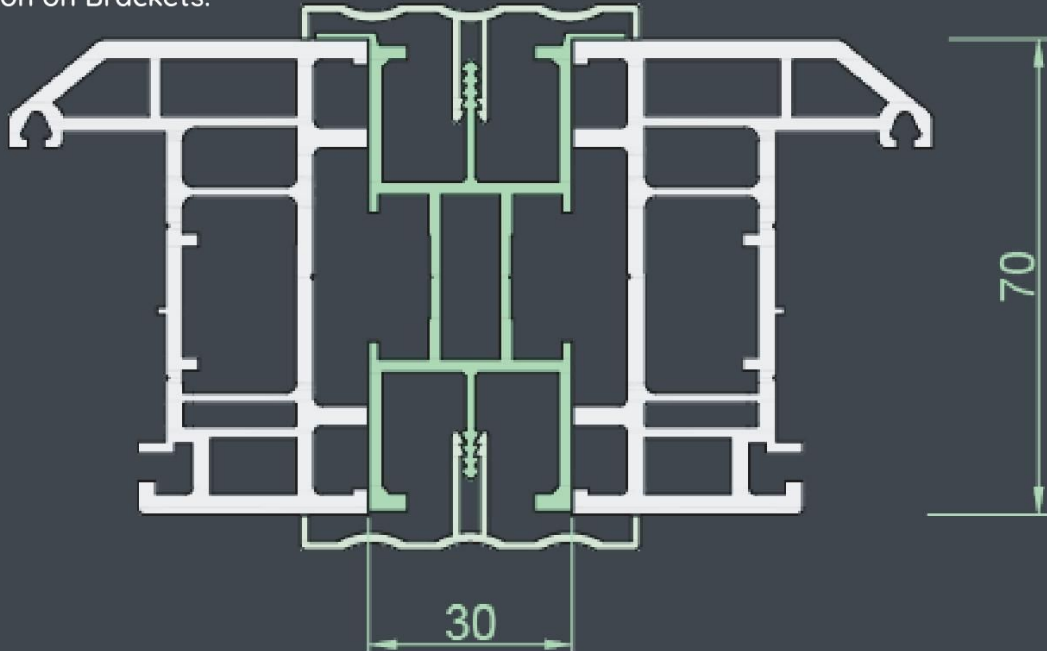
All our Jacks are tested to 9 Tonnes and are CE approved No. 0086-CPR-614908

HEIGHT	LOAD BEARING
900	Capped at 2 Tonnes
1200	
1500	
1800	
2100	
2400	

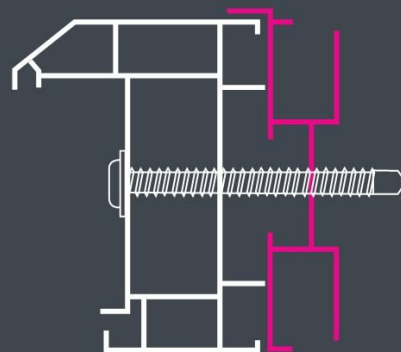


C MM3070 IN-LINE

30mm heavy duty coupler for 70mm frames. Designed with anti-racking retaining slots. This product can incorporate Brackets to make your coupler even more resilient - see pages 87+88 for information on Brackets.



NAME	MM3070
IXX (cm⁴)	22.47
IYY (cm⁴)	5.78
FRAME DEDUCTION	15mm
EXTERNAL TRIM	PILDT
INTERNAL TRIM	PILDT
UN-FOILED	YES
FOILED	YES
LOAD PLUG	Load Plug available on request
BRACKETS	MM200BKT / MM200FBKT
JACK-ABLE	N/A



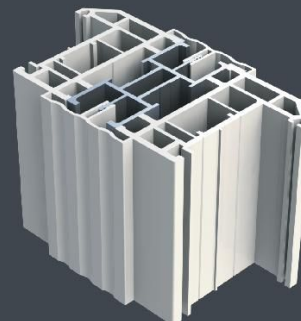
Screw from outside detail.
Frames can be screw-fitted through the coupler into the frame before the trim is added. This allows pre-glazed frames to be installed.



Universal Product Heavy Duty 70mm System Brackets

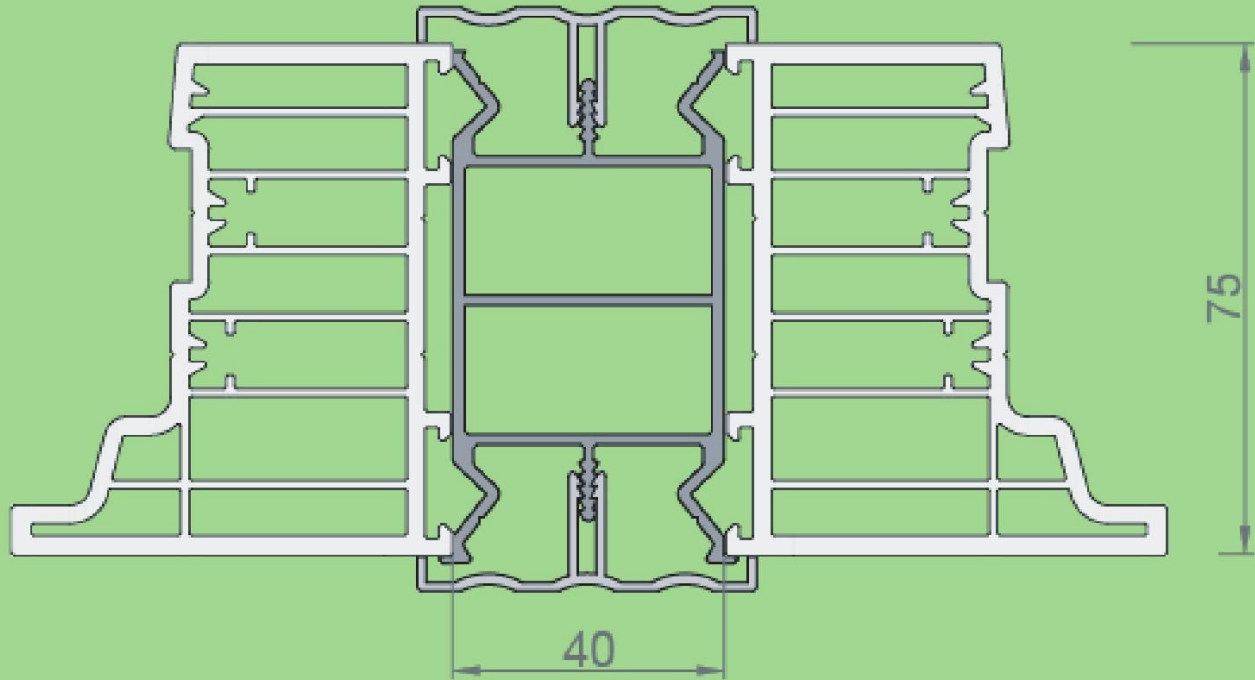
All our Jacks are tested to 9 Tonnes and are CE approved No. 0086-CPR-614908

HEIGHT	LOAD BEARING
900	Capped at 2 Tonnes
1200	
1500	
1800	
2100	
2400	

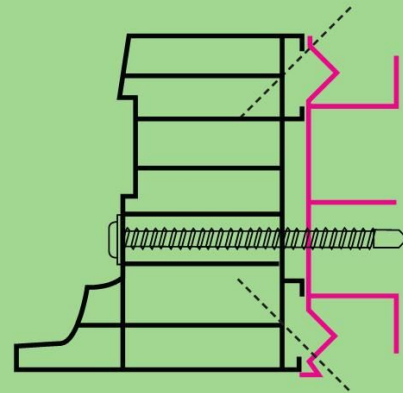


C R7121 IN-LINE

40mm coupler suitable for 75-76mm frames.



NAME	R7121
IXX (cm⁴)	24.35
IYY (cm⁴)	12.30
FRAME DEDUCTION	20mm
EXTERNAL TRIM	PILDT
INTERNAL TRIM	PILDT
UN-FOILED	YES
FOILED	YES
JACK-ABLE	N/A



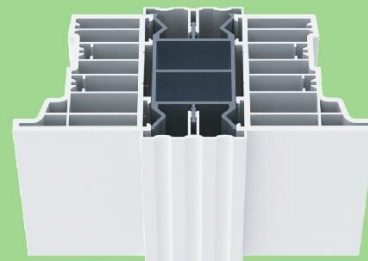
Screw from outside detail.
Frames can be screw-fitted through the coupler into the frame before the trim is added. This allows pre-glazed frames to be installed.



Universal
Product

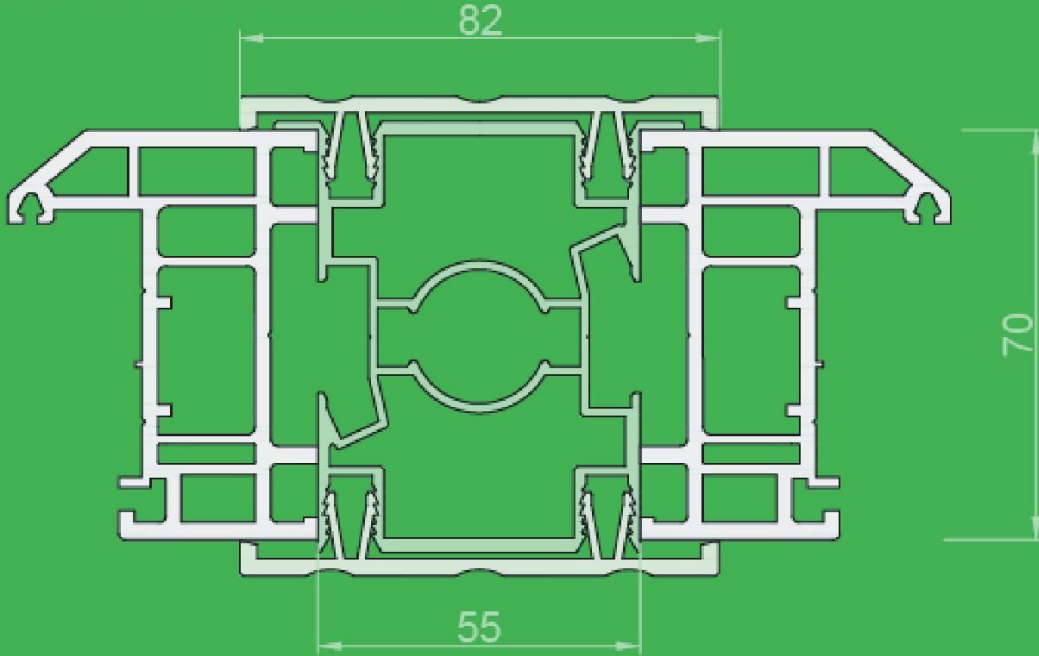


75/76mm
System

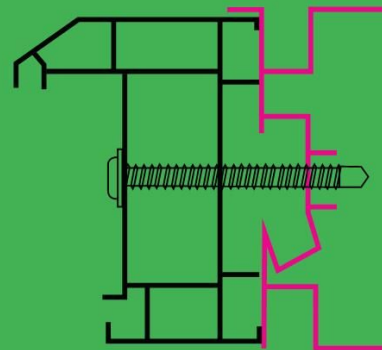


C TC955ALI IN-LINE

55mm heavy duty jack-able coupler for 70mm frames. Designed with anti-racking retaining slots. This product can incorporate Brackets to make your coupler even more resilient - see pages 87+88 for information on Brackets.



NAME	TC955ALI
IXX (cm⁴)	48.49
IYY (cm⁴)	29.77
FRAME DEDUCTION	27.5mm
EXTERNAL TRIM	TC9COVER
INTERNAL TRIM	TC9COVER
UN-FOILED	YES
FOILED	YES
JACK-ABLE	JACK-22
BRACKETS	MM200BKT / MM200FBKT



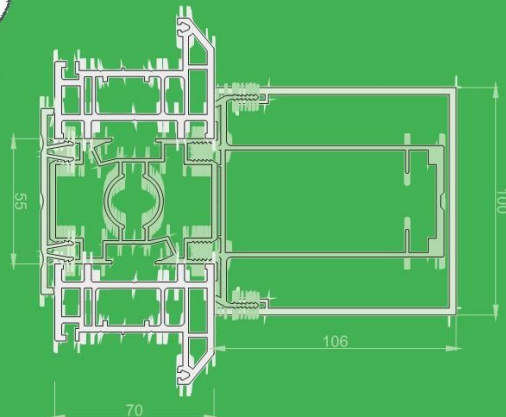
Screw fix from one side.
Fix through frame, coupler and adjoining frame.



Universal Product Heavy Duty Jack-able System 70mm System Brackets

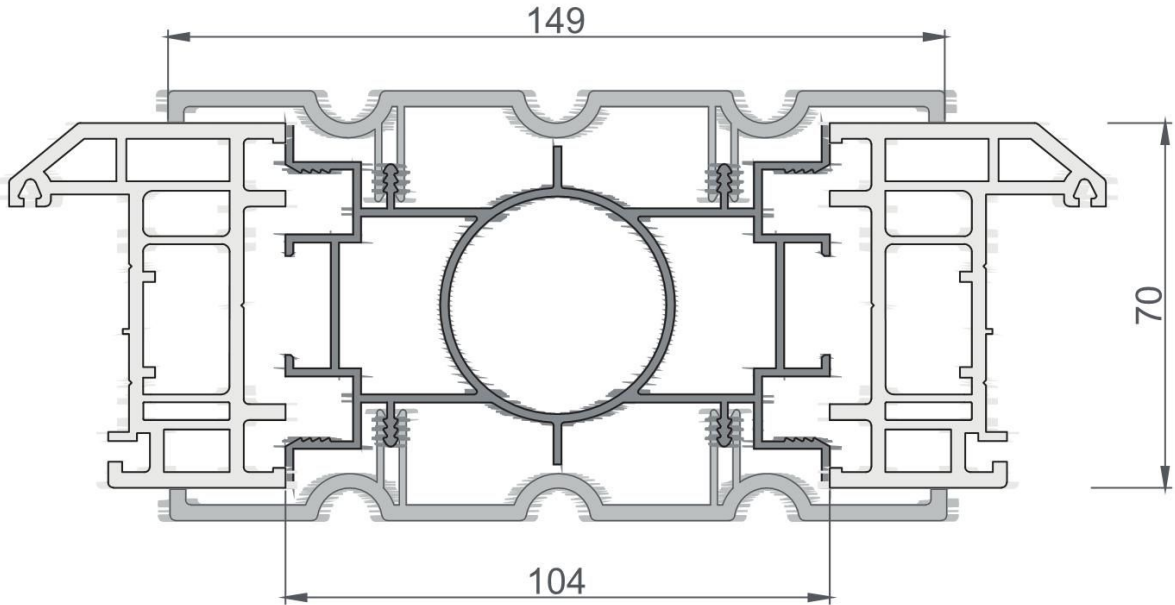
All our Jacks are tested to 9 Tonnes and are CE approved No. 0086-CPR-614908

HEIGHT	LOAD BEARING
900	Capped at 2 Tonnes
1200	
1500	
1800	
2100	
2400	

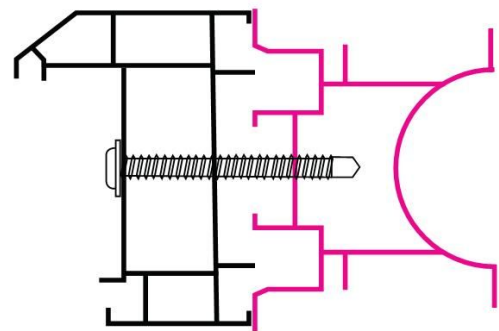


C WWL146 IN-LINE


104mm heavy duty jack-able coupler for 70mm systems. Designed with anti-racking retaining slots. This is the perfect coupler for conservatories with the deep decorative detail and sight-lines of 149mm. This product can incorporate Brackets to make your coupler even more resilient - see pages 87+88 for information on Brackets.




NAME	WWL146
IXX (cm⁴)	97.29
IYY (cm⁴)	30.44
FRAME DEDUCTION	52mm
EXTERNAL TRIM	CPILDPT
INTERNAL TRIM	CPILDPT
UN-FOILED	YES
FOILED	YES
JACK-ABLE	JACK-7
BRACKETS	MM200BKT / MM200FBKT




Screw fix from one side.
Fix through frame, coupler and adjoining frame.




Universal Product




Heavy Duty



Jack-able System



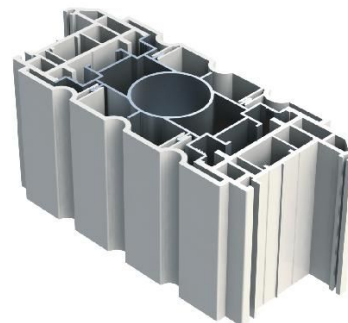
70mm System



Brackets

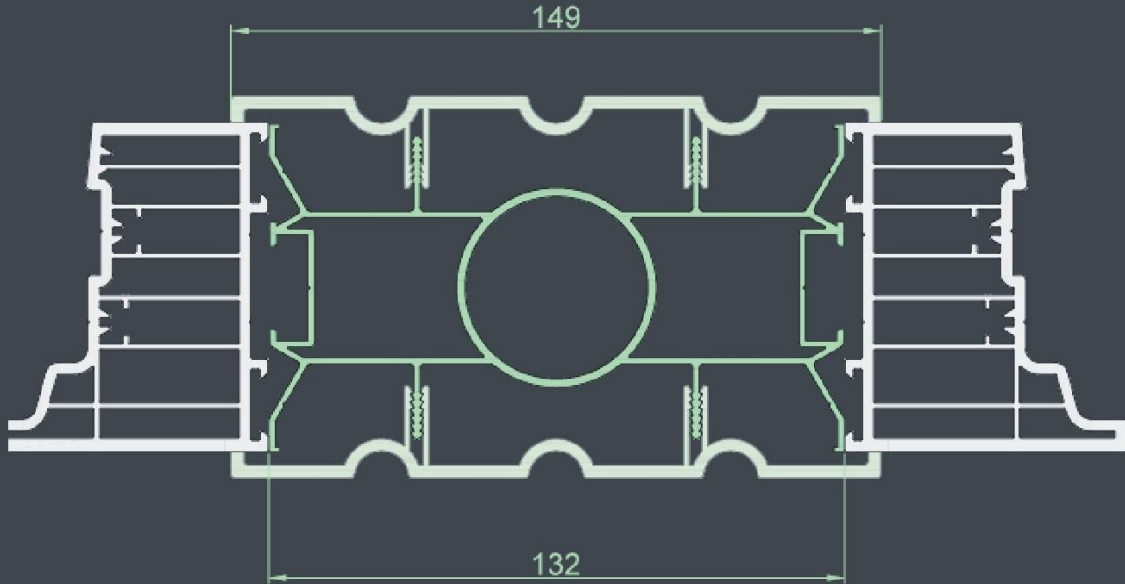
All our Jacks are tested to 9 Tonnes and are CE approved No. 0086-CPR-614908

HEIGHT	LOAD BEARING
900	Capped at 2 Tonnes
1200	
1500	
1800	
2100	
2400	

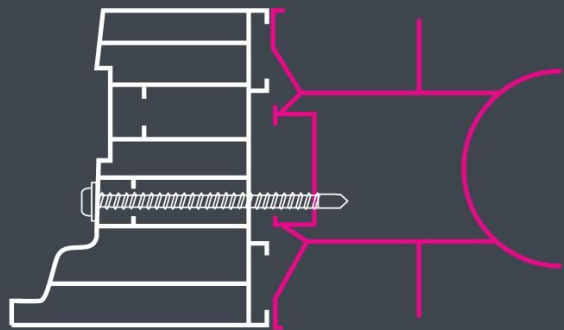


C R78115 IN-LINE

132mm heavy duty jack-able coupler. Designed with anti-racking retaining slots. This is the perfect coupler for orangeries with deep decorative detail and sight-line of 149mm. This product can incorporate Brackets to make your coupler even more resilient - see pages 87+88 for information on Brackets.



NAME	R78115
IXX (cm⁴)	97.29
IYY (cm⁴)	30.44
FRAME DEDUCTION	66mm
EXTERNAL TRIM	CPILDT
INTERNAL TRIM	CPILDT
UN-FOILED	YES
FOILED	YES
JACK-ABLE	JACK-7
BRACKETS	MM200BKT / MM200FBKT



Screw from outside detail. Frames can be screw-fitted through the coupler into the frame before the trim is added. This allows pre-glazed frames to be installed.



Universal Product



Jack-able System



75/76mm System



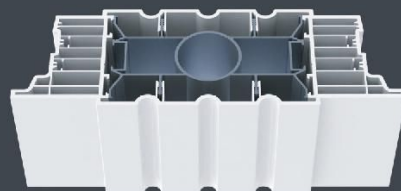
85/86mm System



Brackets

All our Jacks are tested to 9 Tonnes and are CE approved No. 0086-CPR-614908

HEIGHT	LOAD BEARING
900	Capped at 2 Tonnes
1200	
1500	
1800	
2100	
2400	



B

Baypoles

We have a wide range of baypoles, covering many angles, accommodating 58mm - 76mm deep frames and most are universal too.

We don't just offer the popular angles, we offer you the solutions to all the unusual angles too! Many of our baypoles are load bearing and accommodate a jack, choose a Window Widgets jack to ensure you are fully CE Mark compliant. Colour options, lead time & additional technical information can be found on our website

www.windowwidgets.co.uk



ANGLES



INSTALLER FRIENDLY



MULTI USE



LOAD BEARING



LARGE RANGE



QUICK LEAD TIME

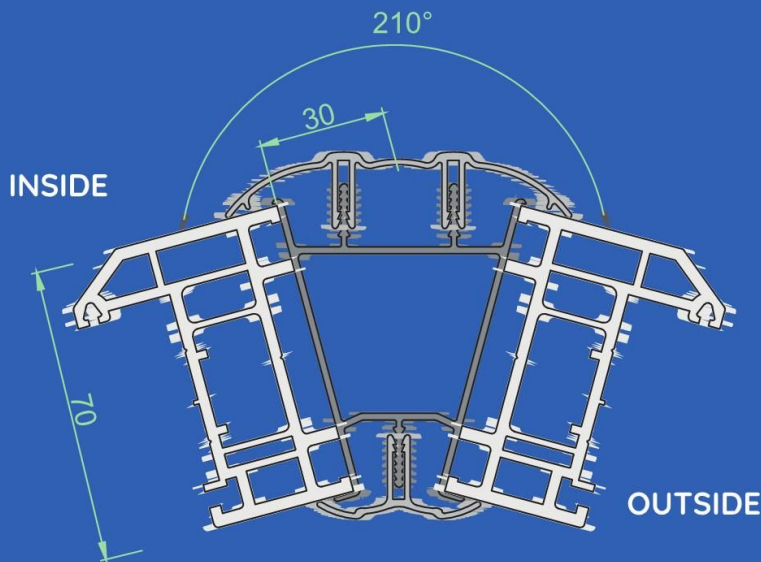
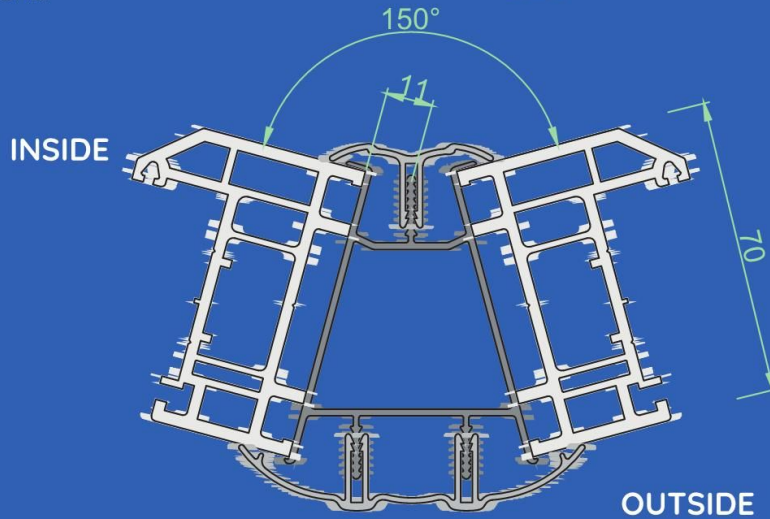


B BAYPOLE ANGLES

B

Same Coupler - Different Angles.

When you see the 'R' stamp this means these baypoles can be reversed to provide different angles.
Please visit the website for further details on angles and deductions.



Visit the website for all Baypole Deductions:

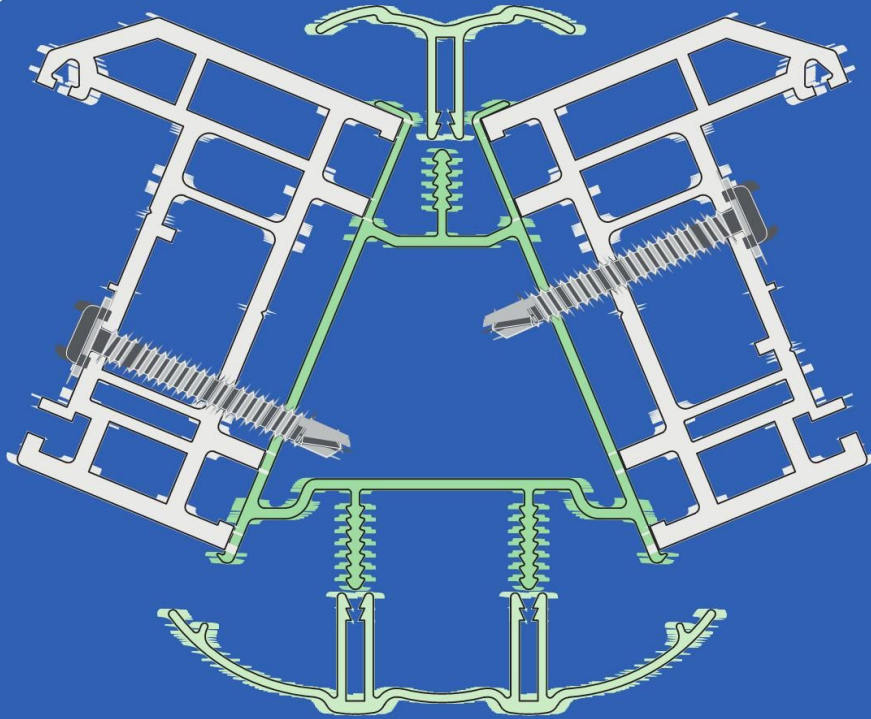


OPEN THE CAMERA ON YOUR PHONE & SCAN ME

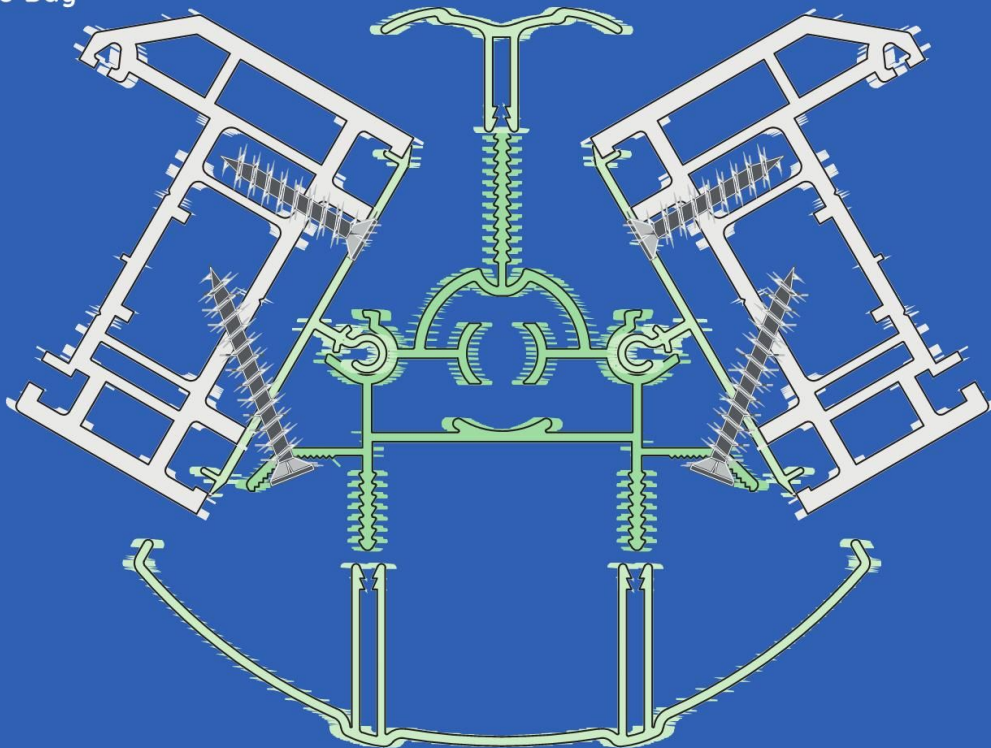


B FIXING DETAILS

Fixed Angle

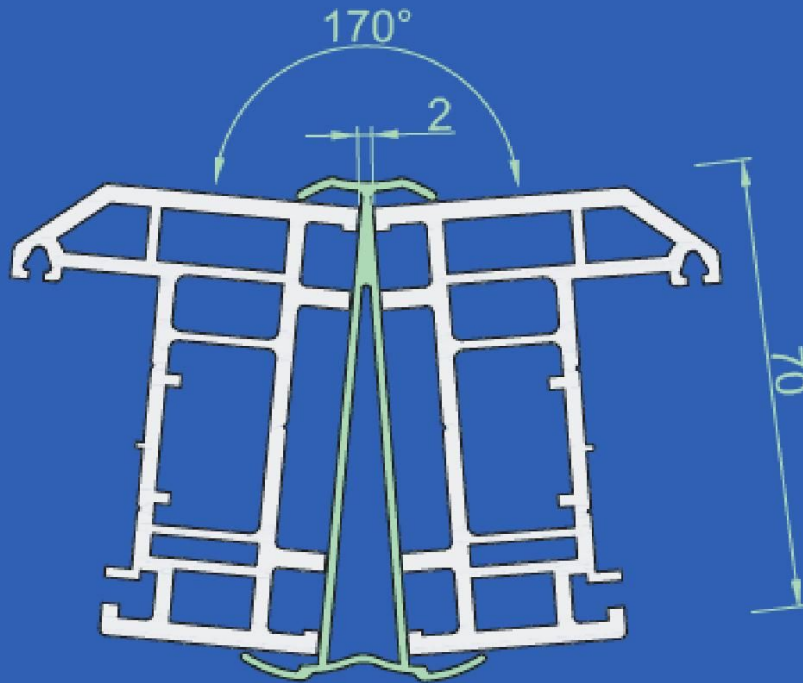


Variable Bay

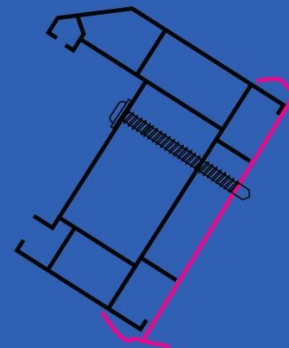


B 17070 FIXED 170°

170° Bow Bay - can accommodate angles from 160° - 180°.



NAME	17070
IXX (cm⁴)	N/A
IYY (cm⁴)	N/A
FRAME DEDUCTION	Varies - see website
EXTERNAL TRIM	N/A
INTERNAL TRIM	N/A
UN-FOILED	YES
FOILED	YES
JACK-ABLE	N/A



Screw from outside detail.
Frames can be screw-fitted through the coupler into the frame before the trim is added. This allows pre-glazed frames to be installed.



Universal Product



70mm System

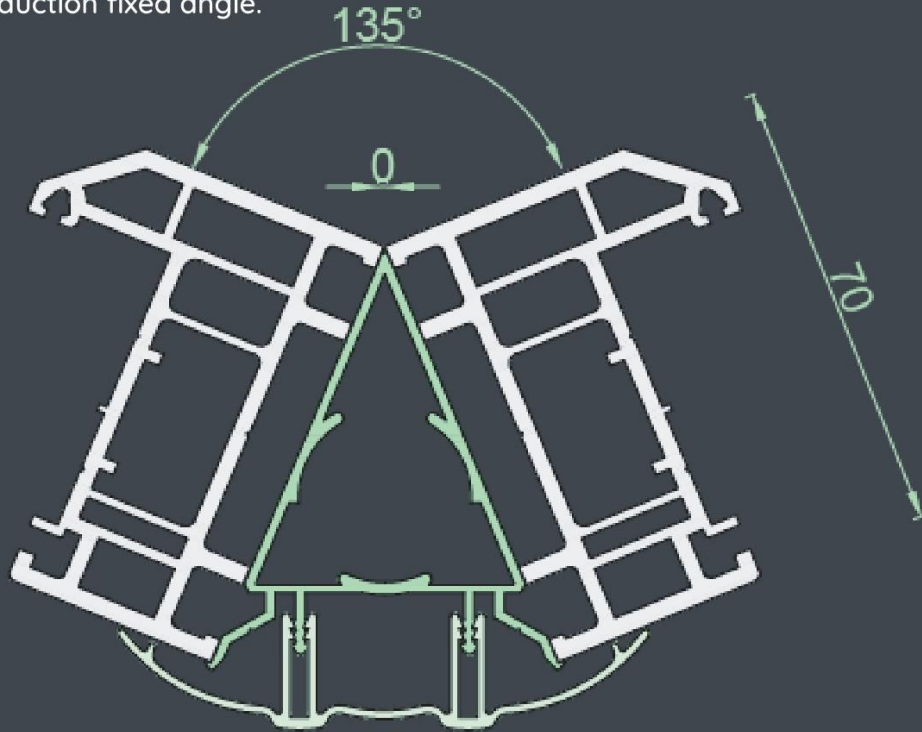


Reversible

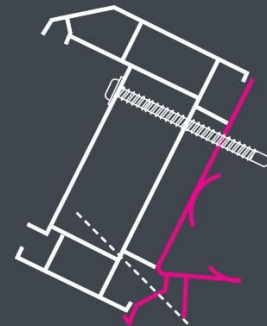


B WWL132 FIXED 135°

70mm 135° zero deduction fixed angle.



NAME	WWL132
IXX (cm⁴)	11.1
IYY (cm⁴)	6.6
FRAME DEDUCTION	0
EXTERNAL TRIM	DBO
INTERNAL TRIM	N/A
UN-FOILED	YES
FOILED	YES
JACK-ABLE	JACK-26



Screw from outside detail.
Frames can be screw-fitted through the coupler into the frame before the trim is added. This allows pre-glazed frames to be installed.



Universal Product



Jack-able System



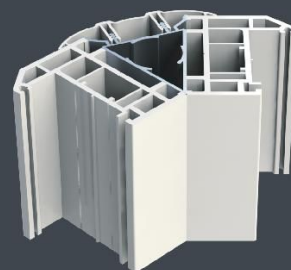
70mm System



Reversible

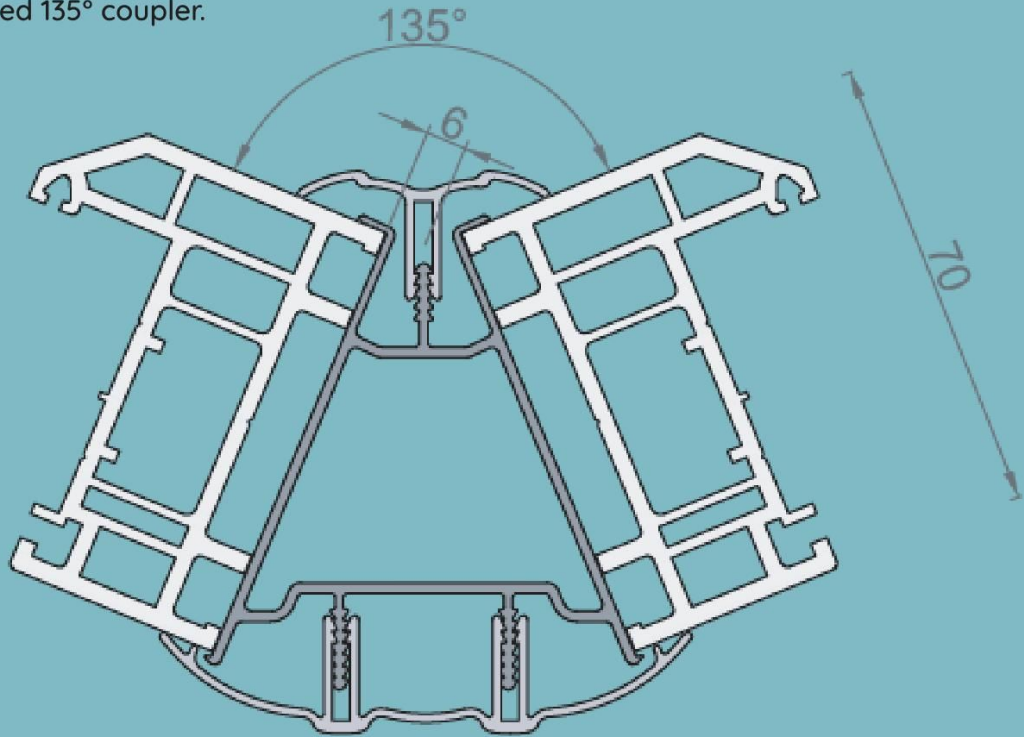
All our Jacks are tested to 9 Tonnes and are CE approved No. 0086-CPR-614908

HEIGHT	LOAD BEARING
900	2 Tonnes
1200	2 Tonnes
1500	2 Tonnes
1800	1.8 Tonnes
2100	1.5 Tonnes
2400	1.2 Tonnes

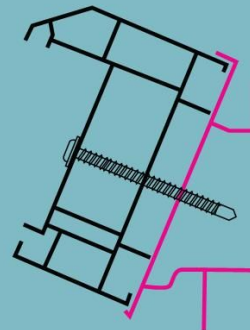


B 482026 FIXED 135°

70mm-76mm fixed 135° coupler.



NAME	482026
IXX (cm⁴)	20.13
IYY (cm⁴)	13.51
FRAME DEDUCTION	6mm
EXTERNAL TRIM	DBO
INTERNAL TRIM	DBI
UN-FOILED	YES
FOILED	YES
JACK-ABLE	JACK-4



Screw fix from one side.
Fix through frame, coupler and adjoining frame.

U	J	70 mm	76 mm	R
Universal Product	Jack-able System	70mm System	75/76mm System	Reversible

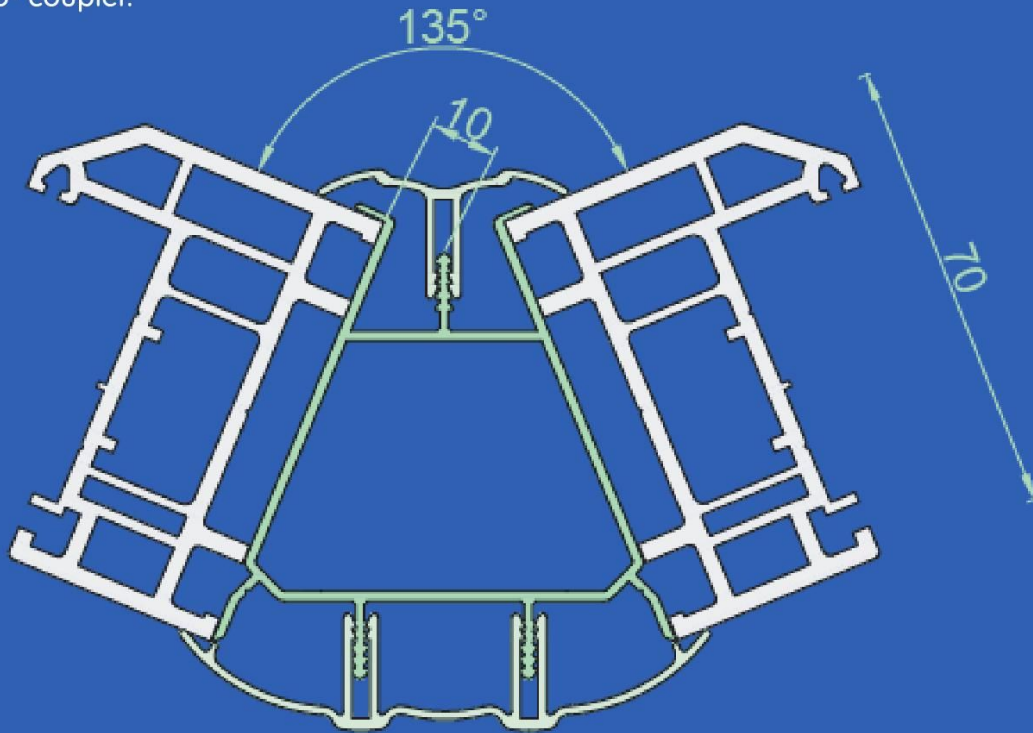
All our Jacks are tested to 9 Tonnes and are CE approved No. 0086-CPR-614908

HEIGHT	LOAD BEARING
900	Capped at 2 Tonnes
1200	
1500	
1800	
2100	
2400	

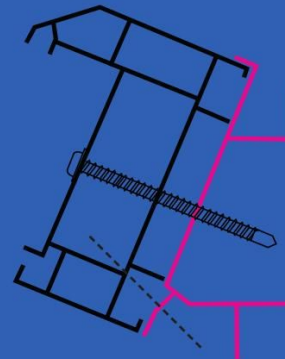


B 482137 FIXED 135°

70mm fixed 135° coupler.



NAME	482137
IXX (cm ⁴)	20.97
IYY (cm ⁴)	15.52
FRAME DEDUCTION	10mm
EXTERNAL TRIM	DBO
INTERNAL TRIM	DBI
UN-FOILED	YES
FOILED	YES
JACK-ABLE	JACK-17



Screw from outside detail.
Frames can be screw-fitted through the coupler into the frame before the trim is added. This allows pre-glazed frames to be installed.

U	J	70 mm	R
Universal Product	Jack-able System	70mm System	Reversible

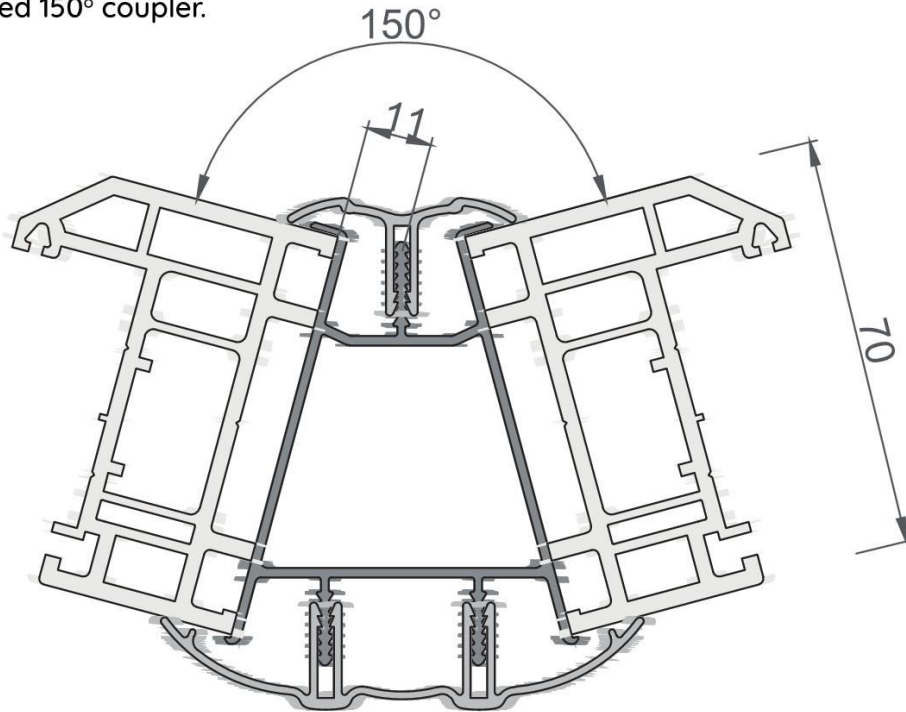
All our Jacks are tested to 9 Tonnes and are CE approved No. 0086-CPR-614908

HEIGHT	LOAD BEARING
900	Capped at 2 Tonnes
1200	
1500	
1800	
2100	
2400	

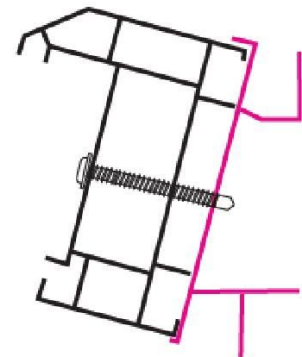


B 482027 FIXED 150°

70mm -76mm fixed 150° coupler.



NAME	482027
IXX (cm⁴)	23.36
IYY (cm⁴)	12.26
FRAME DEDUCTION	10.5mm
EXTERNAL TRIM	DBO
INTERNAL TRIM	DBI/PILDT
UN-FOILED	YES
FOILED	YES
JACK-ABLE	JACK-35



Screw fix from one side.
Fix through frame, coupler and adjoining frame.

					
Universal Product	Jack-able System	70mm System	75/76mm System	Reversible	DBI/PILDT

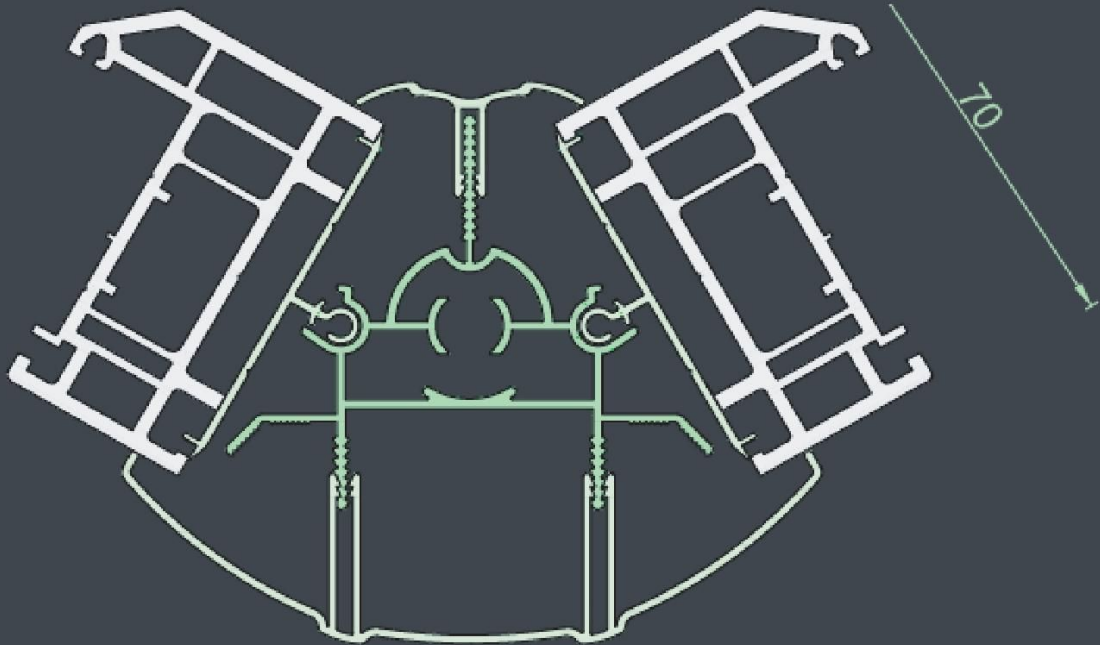
All our Jacks are tested to 9 Tonnes and are CE approved No. 0086-CPR-614908

HEIGHT	LOAD BEARING
900	Capped at 2 Tonnes
1200	
1500	
1800	
2100	
2400	

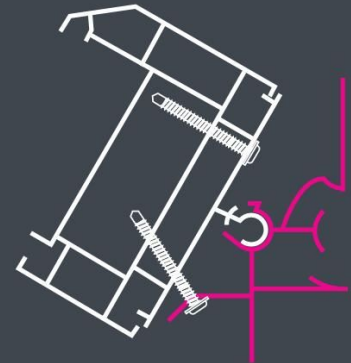


B WWL121 VARIABLE

Covering angles 90°-126° for 70mm and 100°-126° for 75mm/76mm.



NAME	WWL121
IXX (cm⁴)	16.94
IYY (cm⁴)	10.16
FRAME DEDUCTION	Varies - see website
EXTERNAL TRIM	DB0120
INTERNAL TRIM	DBI/PILDT - see website
UN-FOILED	YES
FOILED	YES
JACK-ABLE	JACK-2
FRAME ADAPTERS	See page 57



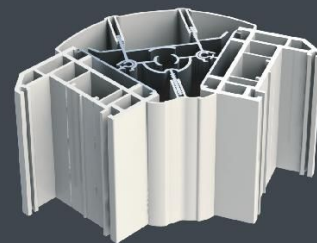
Screw fix adapter to frame. When in position screw fix from outside face to secure final location.



Universal Product Jack-able System 70mm System 75/76mm System Reversible DBI/PILDT

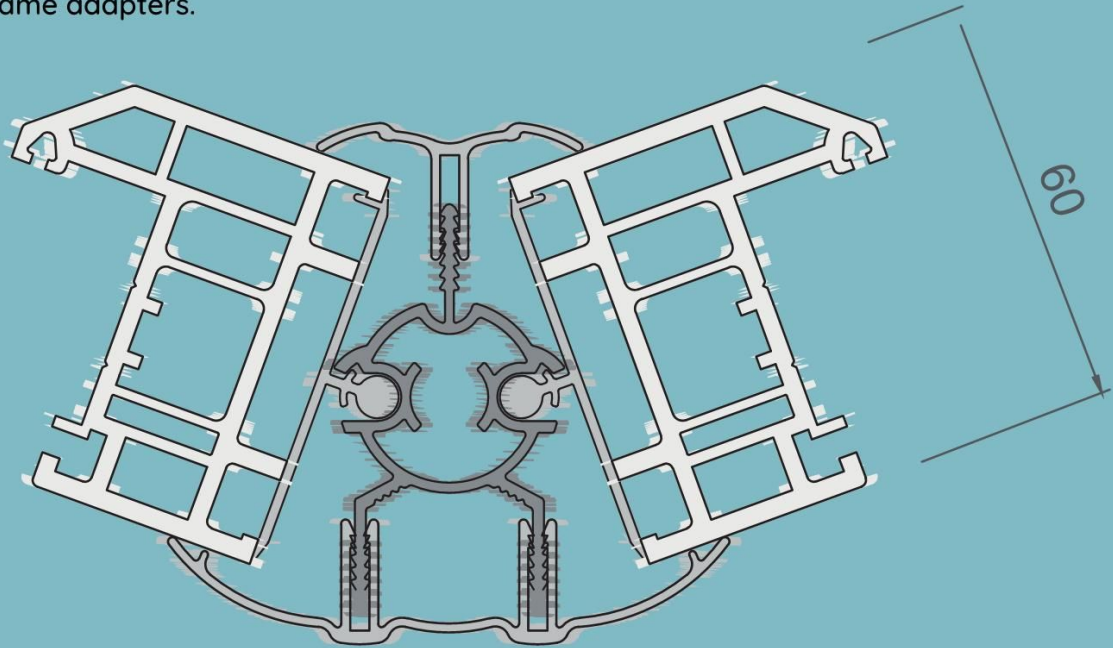
All our Jacks are tested to 9 Tonnes and are CE approved No. 0086-CPR-614908

HEIGHT	LOAD BEARING
900	Capped at 2 Tonnes
1200	
1500	
1800	
2100	
2400	1.6 Tonnes

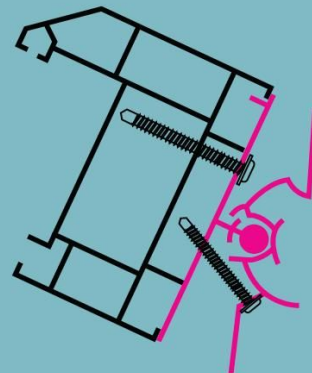


B 482024 VARIABLE

Covering angles 140°-180° for 60mm and 135°-160° for 70mm frames. Please see website for required frame adapters.



NAME	482024
IXX (cm⁴)	6.59
IYY (cm⁴)	2.98
FRAME DEDUCTION	Varies - see website
EXTERNAL TRIM	DBO
INTERNAL TRIM	DBI/PILDT - see website
UN-FOILED	YES
FOILED	YES
JACK-ABLE	JACK-2
FRAME ADAPTERS	See page 57



Screw from outside detail.
Frames can be screw-fitted through the coupler into the frame before the trim is added. This allows pre-glazed frames to be installed.



Universal Product Jack-able System 58/60mm System Reversible DBI/PILDT

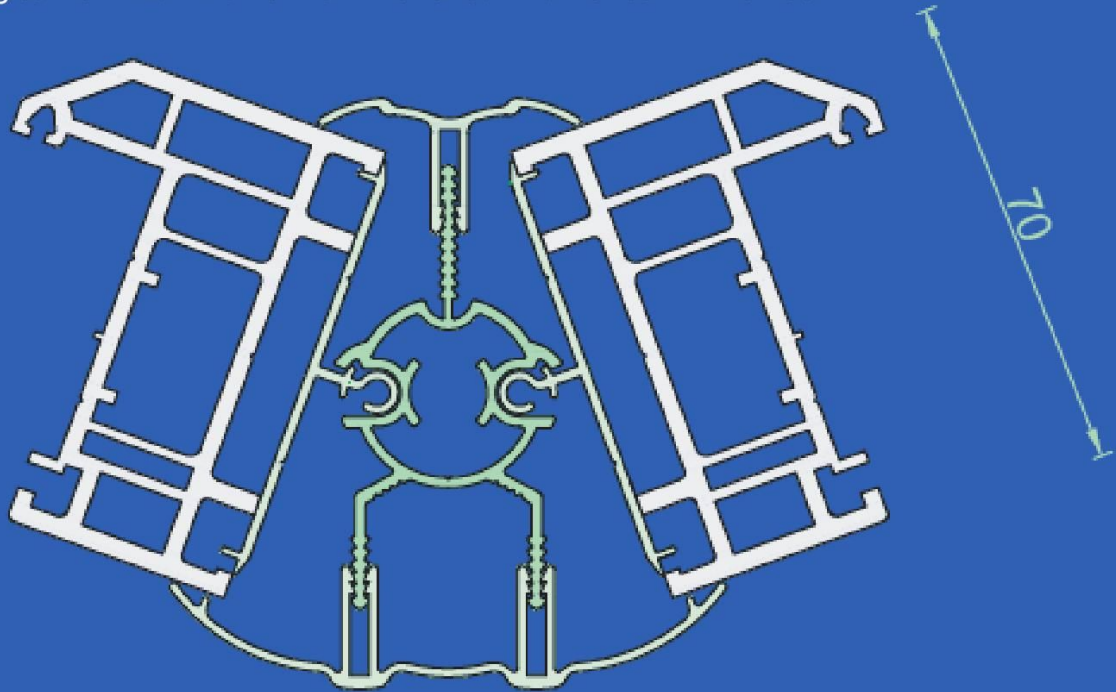
All our Jacks are tested to 9 Tonnes and are CE approved No. 0086-CPR-614908

HEIGHT	LOAD BEARING
900	2 Tonnes
1200	2 Tonnes
1500	1.6 Tonnes
1800	1.3 Tonnes
2100	0.9 Tonnes
2400	0.7 Tonnes

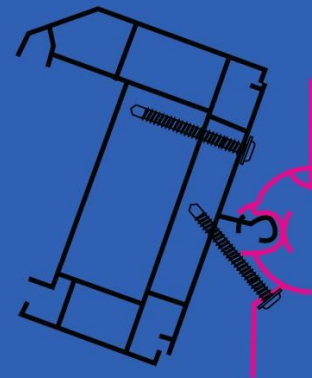


B 482054 VARIABLE

Covering angles from 125°-180° for 70mm and 135°-175° for 60mm frames.



NAME	482054
IXX (cm⁴)	7.77
IYY (cm⁴)	2.79
FRAME DEDUCTION	Varies - see website
EXTERNAL TRIM	DBO
INTERNAL TRIM	DBI/PILDT
UN-FOILED	YES
FOILED	YES
JACK-ABLE	JACK-2
FRAME ADAPTERS	See page 43



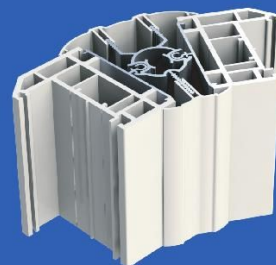
Screw fix adapter to frame. When in position screw fix from outside face to secure final location.



Universal Product Jack-able System 60mm System 70mm System Reversible DBI/PILDT

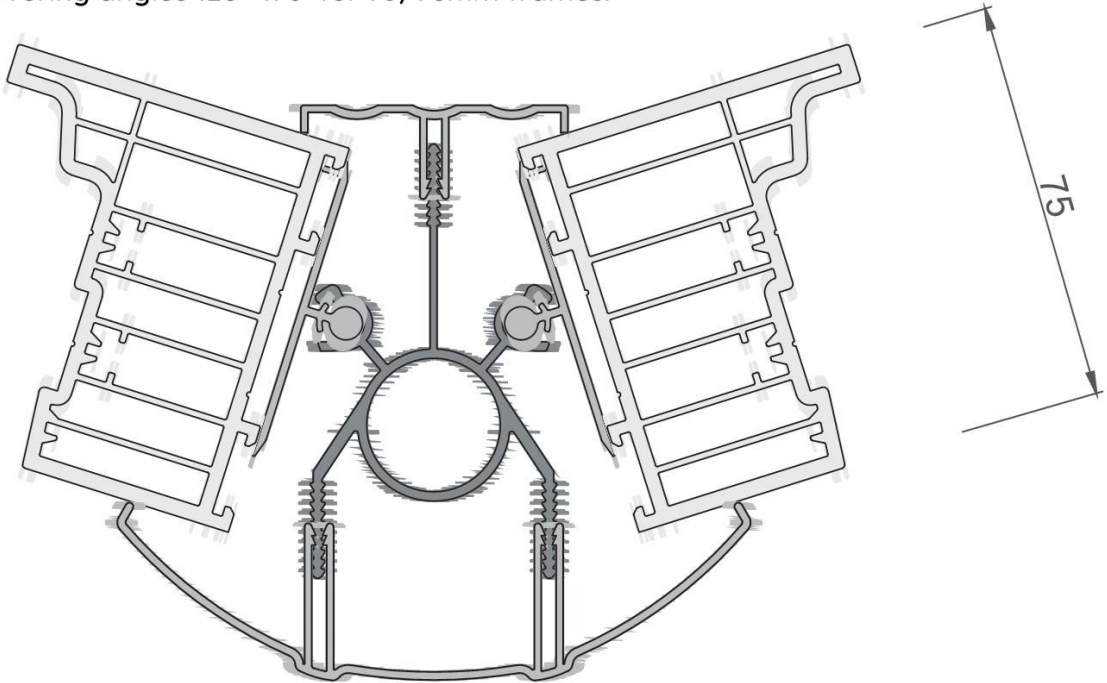
All our Jacks are tested to 9 Tonnes and are CE approved No. 0086-CPR-614908

HEIGHT	LOAD BEARING
900	2 Tonnes
1200	2 Tonnes
1500	1.9 Tonnes
1800	1.4 Tonnes
2100	1.1 Tonnes
2400	0.9 Tonnes

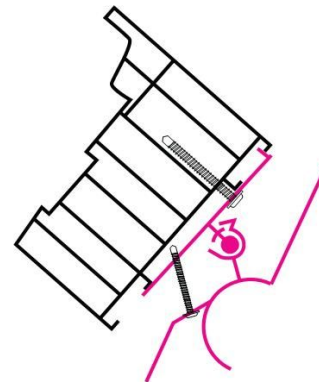


B R7109 VARIABLE

Baypole covering angles 120°-170° for 75/76mm frames.



NAME	R7109
IXX (cm⁴)	15.73
IYY (cm⁴)	9.58
FRAME DEDUCTION	Varies - see website
EXTERNAL TRIM	DBO120
INTERNAL TRIM	DBI/PILDT - see website
UN-FOILED	YES
FOILED	YES
JACK-ABLE	JACK-18
FRAME ADAPTERS	See page 43

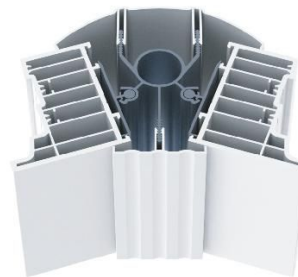


Screw from outside detail.
Frames can be screw-fitted through the coupler into the frame before the trim is added. This allows pre-glazed frames to be installed.

				
Universal Product	Jack-able System	75/76mm System	Reversible	DBI/PILDT

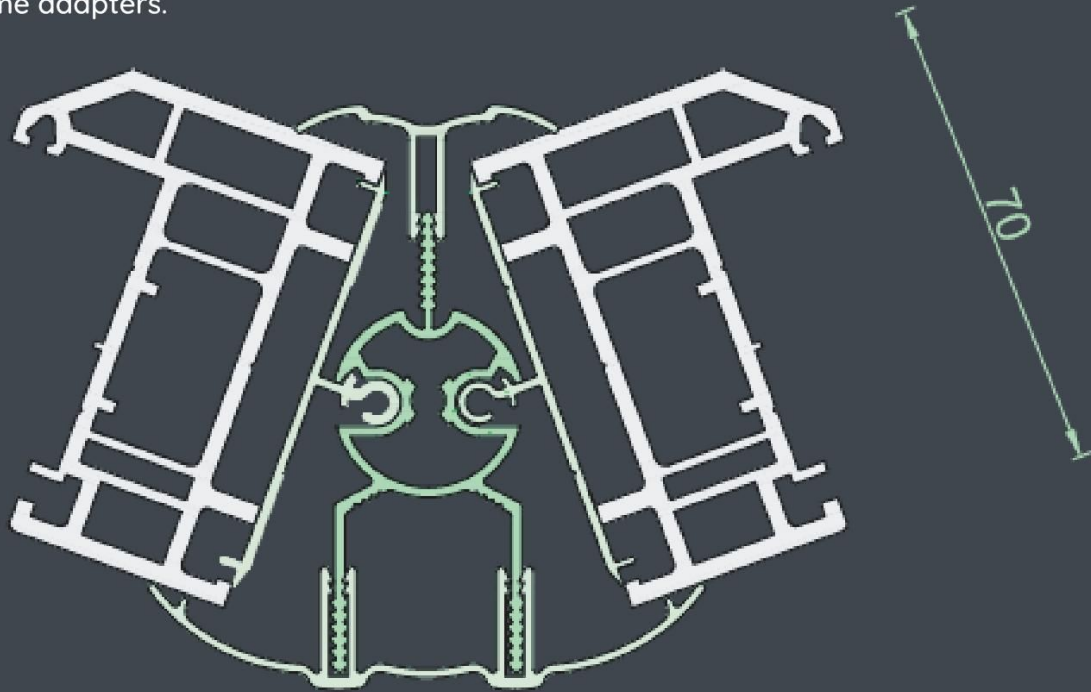
All our Jacks are tested to 9 Tonnes and are CE approved No. 0086-CPR-614908

HEIGHT	LOAD BEARING
900	Capped at 2 Tonnes
1200	
1500	
1800	
2100	
2400	1.9 Tonnes

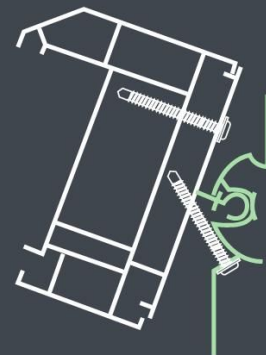


B 482055 VARIABLE

Covering angles 145°-180° for 70mm and 75/76mm profiles. Please see page 43 or website for required frame adapters.



NAME	482055
IXX (cm⁴)	8.2
IYY (cm⁴)	2.91
FRAME DEDUCTION	Varies - see website
EXTERNAL TRIM	DBO
INTERNAL TRIM	DBI/PILDT - see website
UN-FOILED	YES
FOILED	YES
JACK-ABLE	JACK-19
FRAME ADAPTERS	See page 43



Screw from outside detail. Frames can be screw-fitted through the coupler into the frame before the trim is added. This allows pre-glazed frames to be installed.



Universal Product



Jack-able System



70mm System



75/76mm System



Reversible



DBI/PILDT

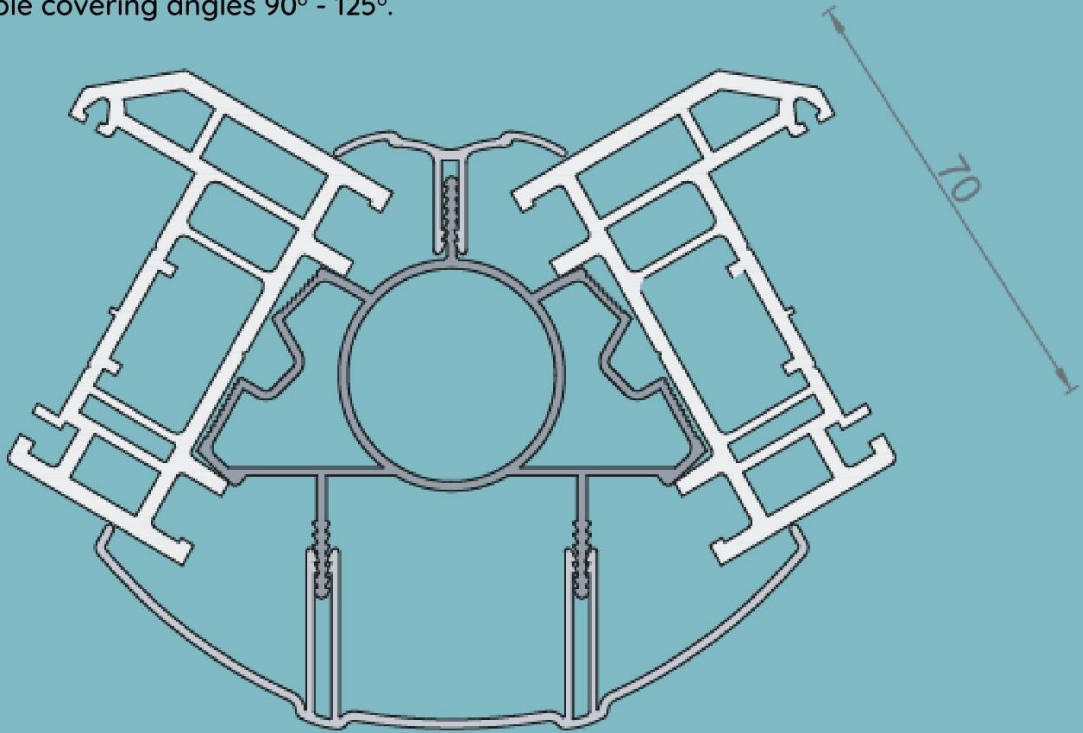
All our Jacks are tested to 9 Tonnes and are CE approved No. 0086-CPR-614908

HEIGHT	LOAD BEARING
900	2 Tonnes
1200	2 Tonnes
1500	1.9 Tonnes
1800	1.7 Tonnes
2100	1.4 Tonnes
2400	0.9 Tonnes

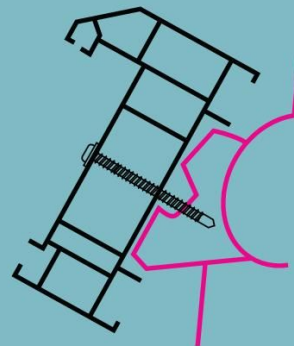


B WWL123 EASYBAY VARIABLE

70mm baypole covering angles 90° - 125°.



NAME	WWL123
IXX (cm⁴)	27.55
IYY (cm⁴)	12.8
FRAME DEDUCTION	Varies - see website
EXTERNAL TRIM	DBO120
INTERNAL TRIM	DBI/PILDT - see website
UN-FOILED	YES
FOILED	YES
JACK-ABLE	JACK-3



Screw from outside detail.
Frames can be screw-fitted through the coupler into the frame before the trim is added. This allows pre-glazed frames to be installed.



Jack-able System



70mm System



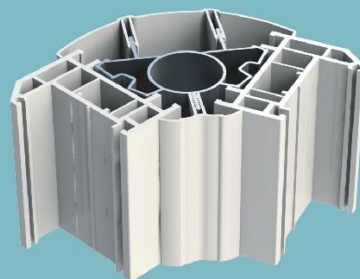
Reversible



DBI/PILDT

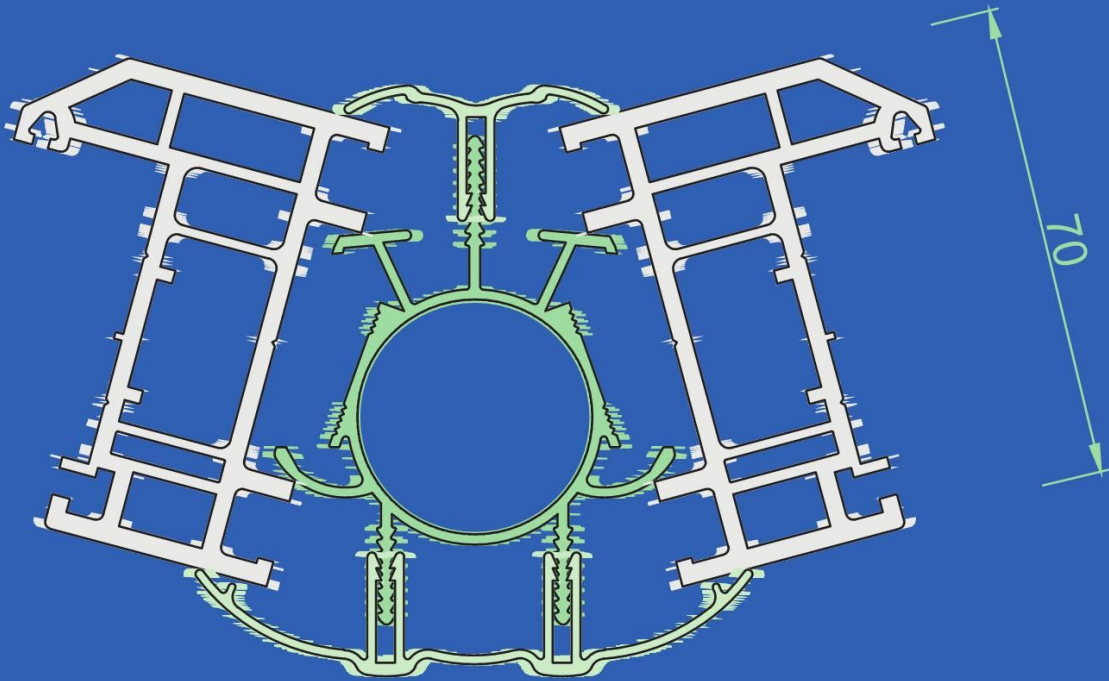
All our Jacks are tested to 9 Tonnes and are CE approved No. 0086-CPR-614908

HEIGHT	LOAD BEARING
900	Capped at 2 Tonnes
1200	
1500	
1800	
2100	
2400	

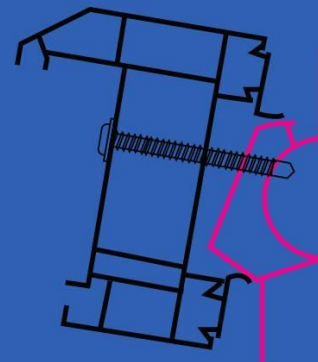


B WWL122 EASYBAY VARIABLE

70mm baypole covering angles 125° - 170°.



NAME	WWL122
IXX (cm⁴)	15.04
IYY (cm⁴)	9.45
FRAME DEDUCTION	Varies - see website
EXTERNAL TRIM	DBO
INTERNAL TRIM	DBI/PILDT - see website
UN-FOILED	YES
FOILED	YES
JACK-ABLE	JACK-3



Screw from outside detail.
Frames can be screw-fitted through the coupler into the frame before the trim is added. This allows pre-glazed frames to be installed



Jack-able System



70mm System



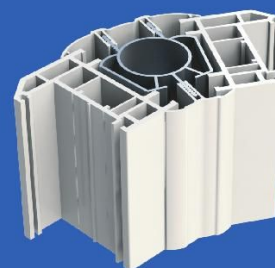
Reversible



DBI/PILDT

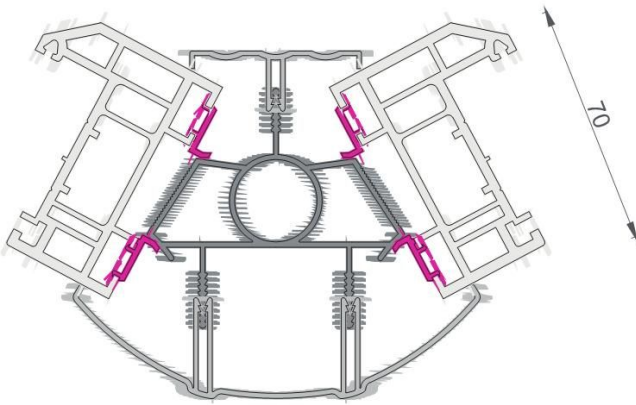
All our Jacks are tested to 9 Tonnes and are CE approved No. 0086-CPR-614908

HEIGHT	LOAD BEARING
900	2 Tonnes
1200	2 Tonnes
1500	1.9 Tonnes
1800	1.7 Tonnes
2100	1.4 Tonnes
2400	0.9 Tonnes

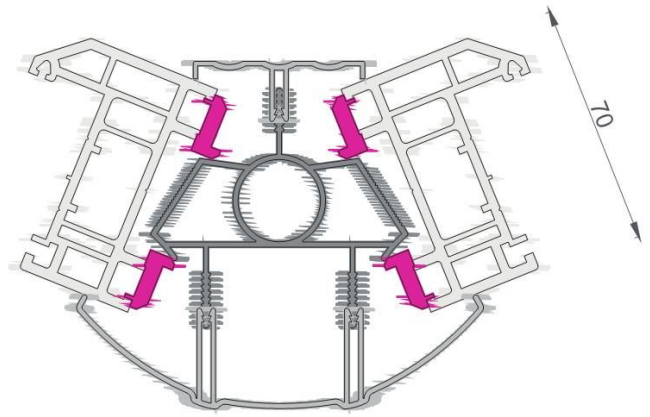


B WWL143 UNIBAY VARIABLE

70mm baypole covering angles 90° - 120°.

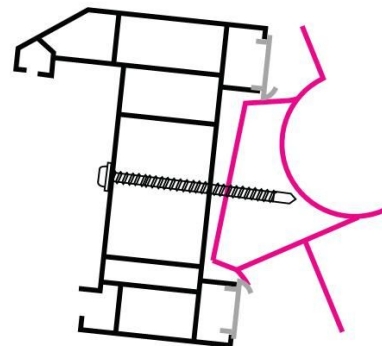


EBFAD - FITS DURAFLEX 70mm



EBFAMU - FITS 90% OF 70mm SYSTEMS

NAME	WWL143
IXX (cm⁴)	19.7
IYY (cm⁴)	10.7
FRAME DEDUCTION	Varies - see website
EXTERNAL TRIM	DBO120
INTERNAL TRIM	DBI/PILDT
UN-FOILED	YES
FOILED	YES
JACK-ABLE	JACK-18
FRAME ADAPTERS	EBFAD / EBFAMU



Screw from outside detail.
Frames can be screw-fitted through the coupler into the frame before the trim is added. This allows pre-glazed frames to be installed.



Jack-able System



70mm System



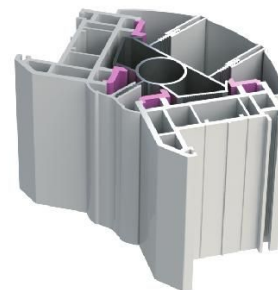
Reversible



DBI/PILDT

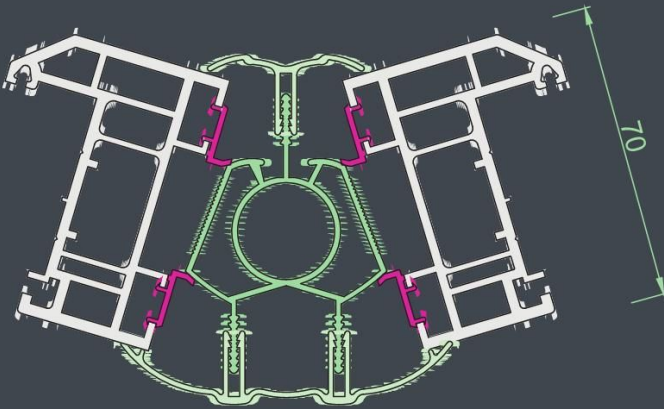
All our Jacks are tested to 9 Tonnes and are CE approved No. 0086-CPR-614908

HEIGHT	LOAD BEARING
900	Capped at 2 Tonnes
1200	
1500	
1800	
2100	
2400	

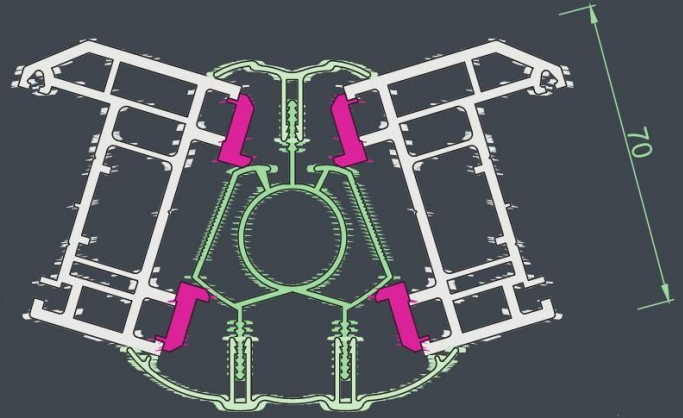


B WWL144 UNIBAY VARIABLE

70mm baypole covering angles 120° - 170°.

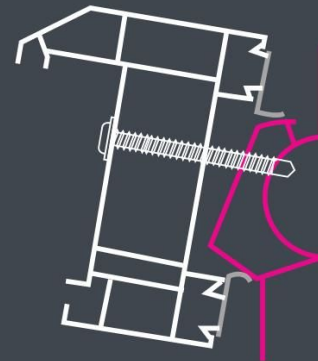


EBFAD - FITS DURAFLEX 70mm



EBFAMU - FITS 90% OF 70mm SYSTEMS

NAME	WWL144
IXX (cm⁴)	11.3
IYY (cm⁴)	7.08
FRAME DEDUCTION	Varies - see website
EXTERNAL TRIM	DBO
INTERNAL TRIM	DBI/PILDT - see website
UN-FOILED	YES
FOILED	YES
JACK-ABLE	JACK-18
FRAME ADAPTERS	EBFAD / EBFAMU



Screw from outside detail.
Frames can be screw-fitted through the coupler into the frame before the trim is added. This allows pre-glazed frames to be installed.



Jack-able System



70mm System



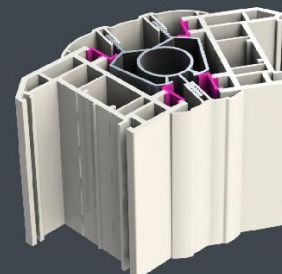
Reversible



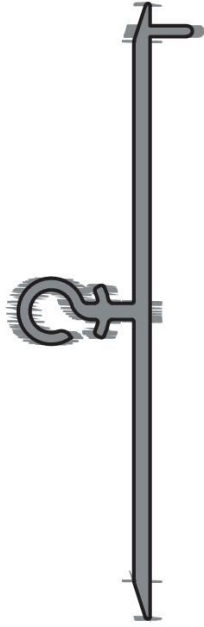
DBI/PILDT

All our Jacks are tested to 9 Tonnes and are CE approved No. 0086-CPR-614908

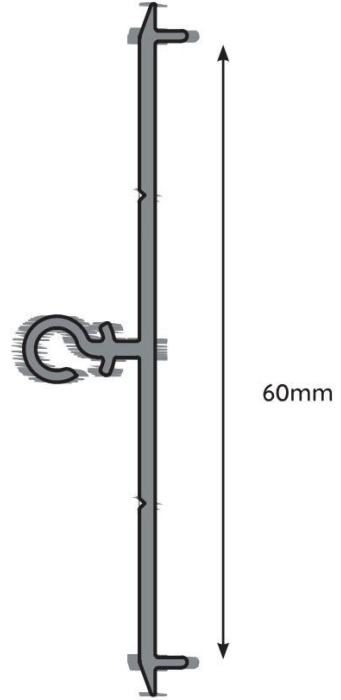
HEIGHT	LOAD BEARING
900	Capped at 2 Tonnes
1200	
1500	
1800	
2100	1.8 Tonnes
2400	1.2 Tonnes



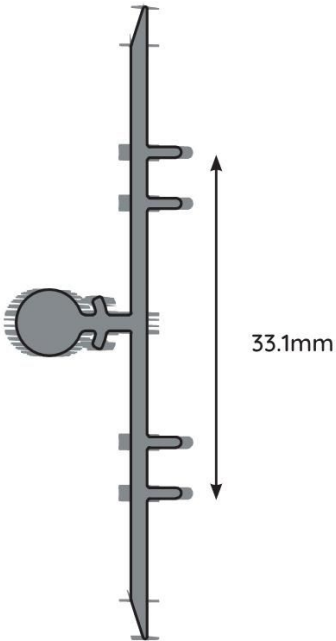
B FRAME ADAPTERS



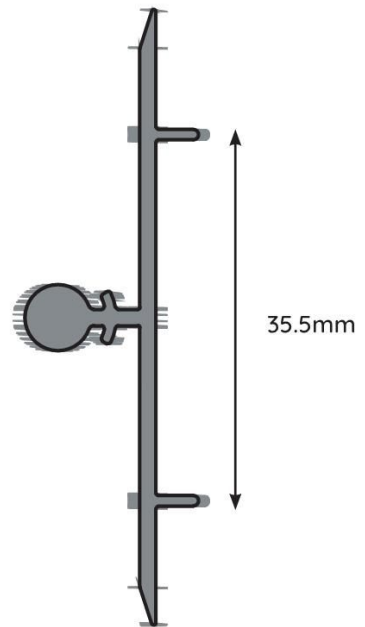
UNIVERSAL
482028



FITS MOST 70mm SYSTEMS
WWL134



DURAFLEX
482104



REHAU 60mm & 70mm
482032

Cp

Corner-posts

Our corner-posts are universal and able to accommodate 58mm - 86mm deep frames.

Suitable for a range of applications from square bays to porches to conservatories to garden rooms. Many of our corner-posts have a zero deduction and accommodate a jack too, choose a Window Widgets jack to ensure you are CE Mark compliant. Colour options, lead time & additional technical information can be found on our website www.windowwidgets.co.uk



FIXED ANGLE



UNIVERSAL



MULTI USE



LOAD BEARING



LARGE RANGE

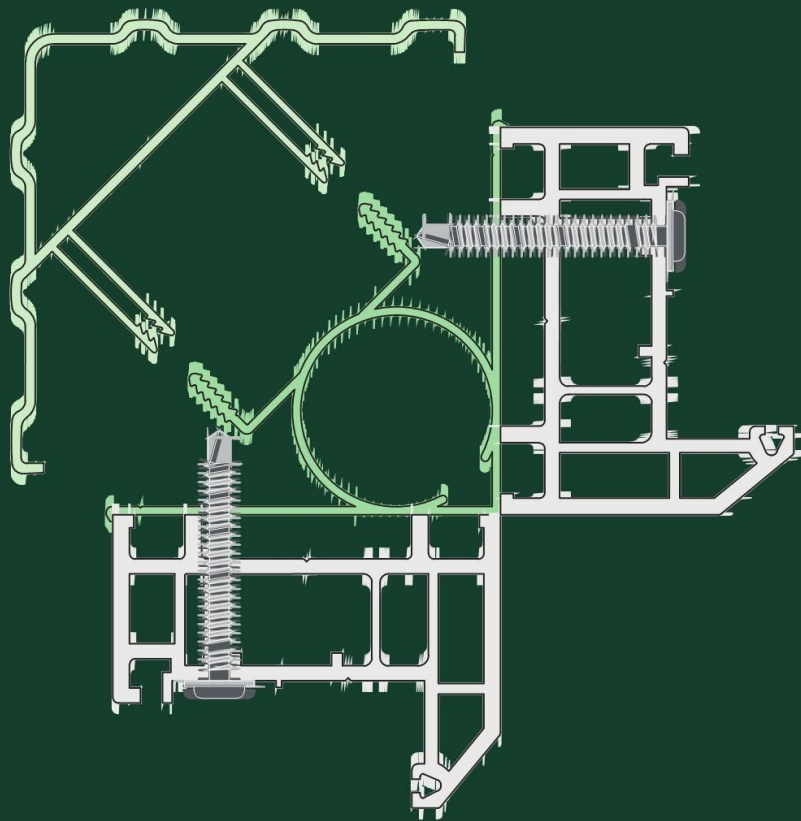


QUICK LEAD TIME



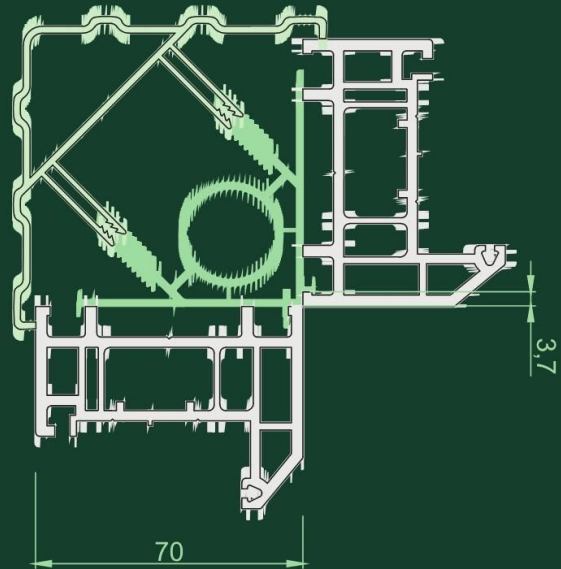
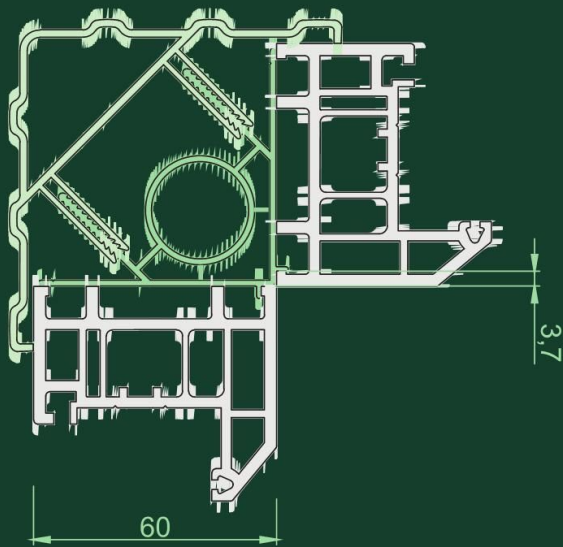
Cp FIXING DETAILS

Cp

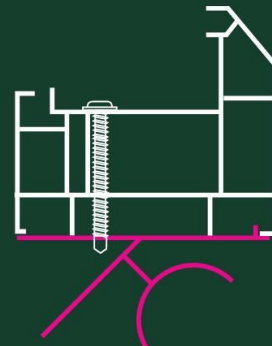


Cp WWL142 90°

Fixed angle at 90° for 60 and 70mm frames.



NAME	WWL142
IXX (cm⁴)	7.08
IYY (cm⁴)	17.00
FRAME DEDUCTION	0
EXTERNAL TRIM	90
INTERNAL TRIM	N/A
UN-FOILED	YES
FOILED	YES
JACK-ABLE	JACK-18

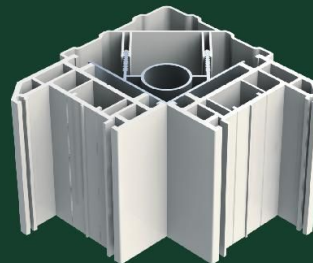


Screw fix from one side.
Fix through frame, coupler and adjoining frame.

			
Universal Product	Jack-able System	58/60mm System	70mm System

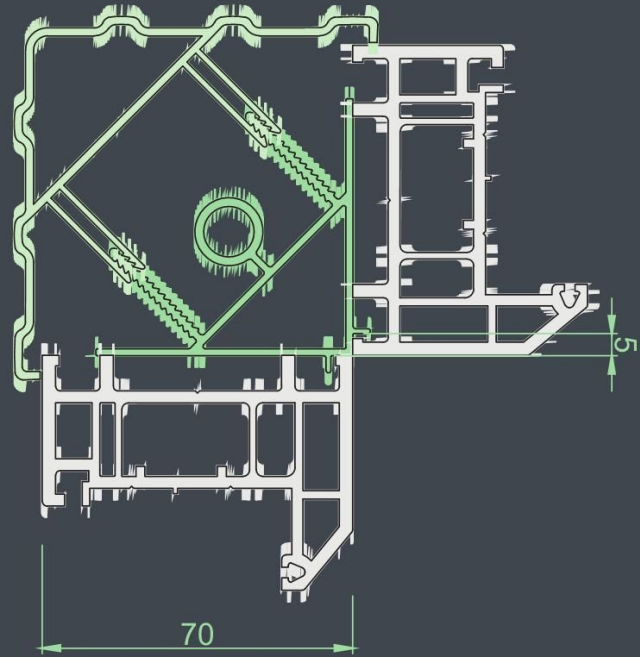
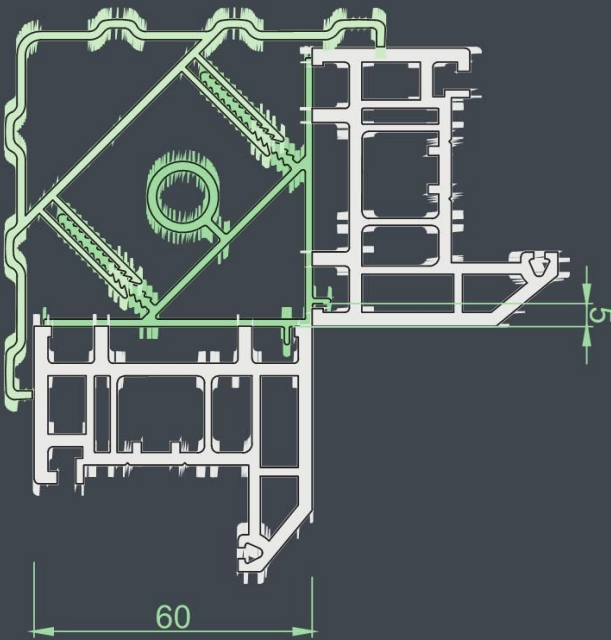
All our Jacks are tested to 9 Tonnes and are CE approved No. 0086-CPR-614908

HEIGHT	LOAD BEARING
900	Capped at 2 Tonnes
1200	
1500	
1800	
2100	
2400	1.8 Tonnes

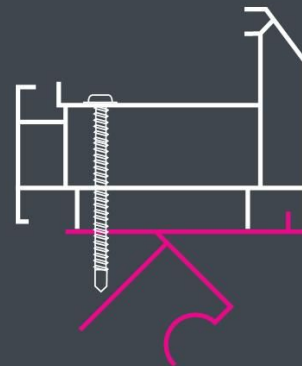


Cp 482044 90°

Fixed angle at 90° for 60 and 70mm frames.



NAME	482044
IXX (cm ⁴)	171
IYY (cm ⁴)	7.8
FRAME DEDUCTION	0
EXTERNAL TRIM	90
INTERNAL TRIM	N/A
UN-FOILED	YES
FOILED	YES
JACK-ABLE	JACK-2



Screw fix from one side.
Fix through frame, coupler and adjoining frame.



Universal Product



Jack-able System



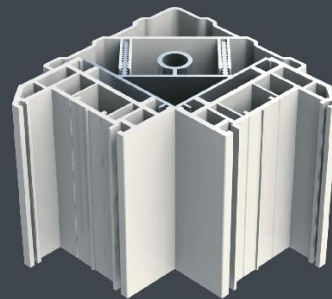
58/60mm System



70mm System

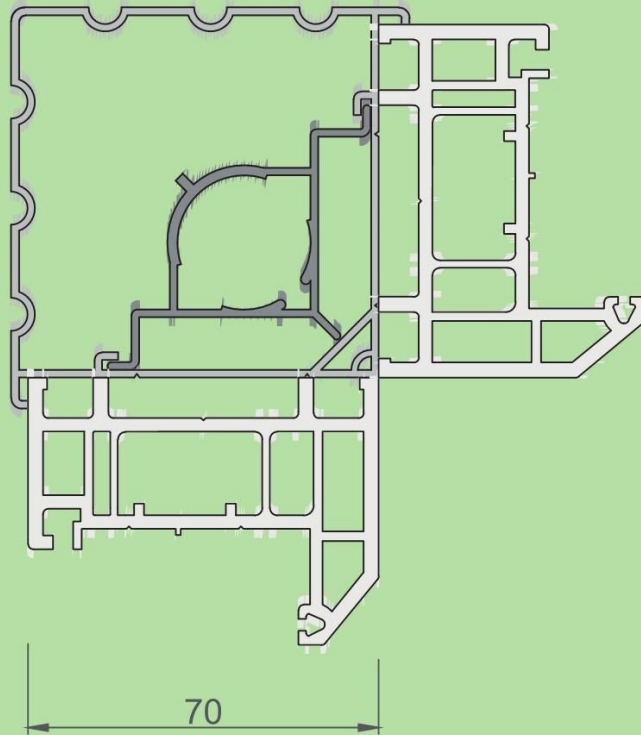
All our Jacks are tested to 9 Tonnes and are CE approved No. 0086-CPR-614908

HEIGHT	LOAD BEARING
900	Capped at 2 Tonnes
1200	
1500	
1800	
2100	
2400	

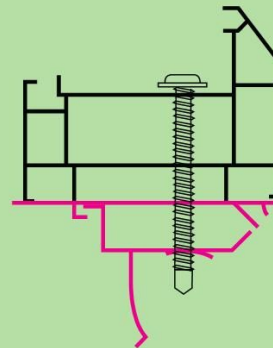


Cp WWL129 90°

Fixed angle at 90° for all 70mm frames.



NAME	WWL129
IXX (cm⁴)	3.01
IYY (cm⁴)	10.58
FRAME DEDUCTION	0
EXTERNAL TRIM	90Z
INTERNAL TRIM	N/A
UN-FOILED	YES
FOILED	YES
JACK-ABLE	JACK-26



Screw from outside detail.
Frames can be screw-fitted through the coupler into the frame before the trim is added. This allows pre-glazed frames to be installed.



Universal Product



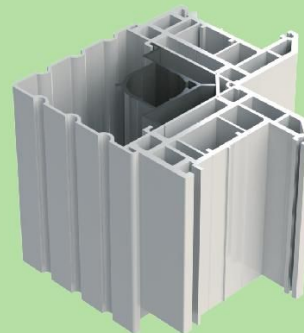
Jack-able System



70mm System

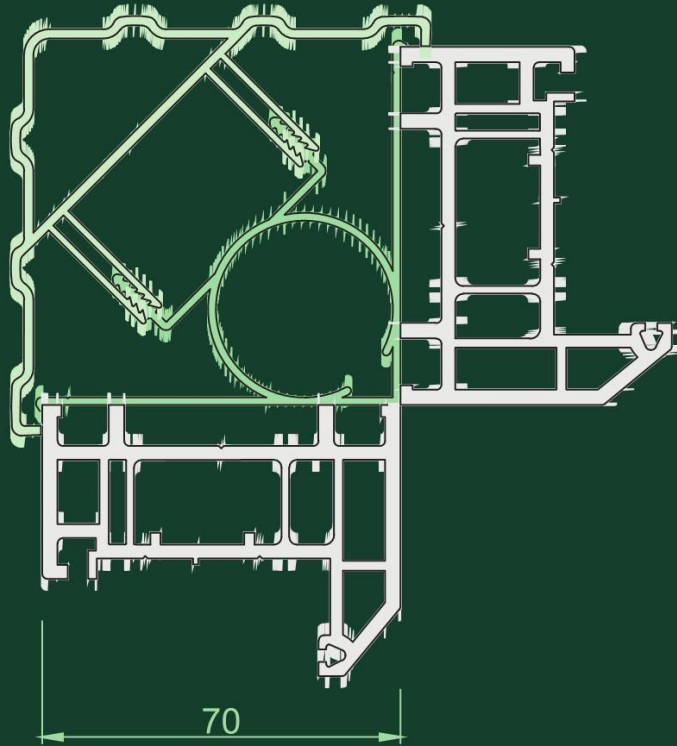
All our Jacks are tested to 9 Tonnes and are CE approved No. 0086-CPR-614908

HEIGHT	LOAD BEARING
900	2 Tonnes
1200	1.8 Tonnes
1500	1.7 Tonnes
1800	1.5 Tonnes
2100	1.4 Tonnes
2400	1.1 Tonnes

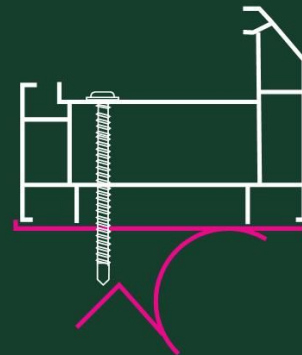


Cp WWL152 90°

Fixed angle at 90° for all 70mm frames.



NAME	WWL152
IXX (cm ⁴)	17.4
IYY (cm ⁴)	17.1
FRAME DEDUCTION	0
EXTERNAL TRIM	90
INTERNAL TRIM	N/A
UN-FOILED	YES
FOILED	YES
JACK-ABLE	JACK-3



Screw fix from one side.
Fix through frame, coupler and adjoining frame.



Universal Product



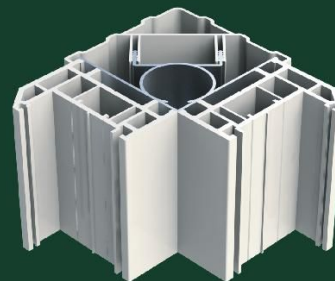
Jack-able System



70mm System

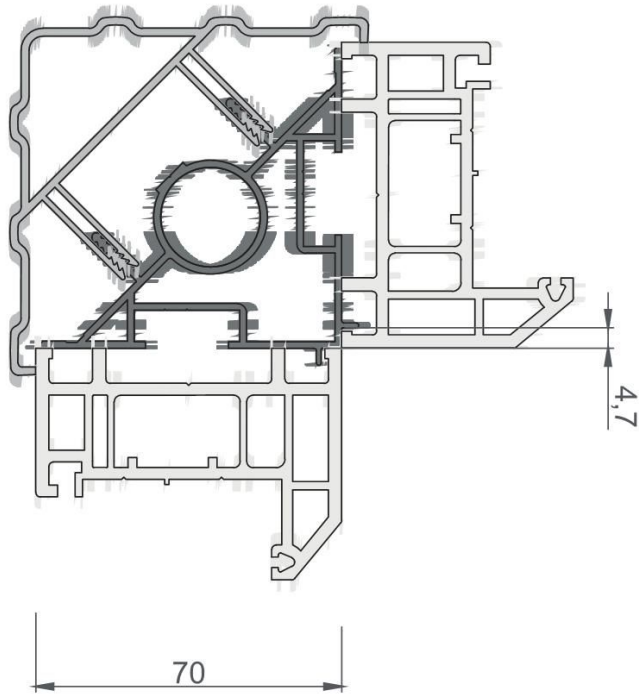
All our Jacks are tested to 9 Tonnes and are CE approved No. 0086-CPR-614908

HEIGHT	LOAD BEARING
900	Capped at 2 Tonnes
1200	
1500	
1800	
2100	
2400	

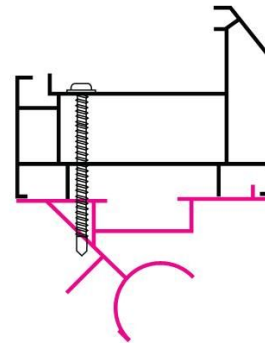


Cp MM9070 90°

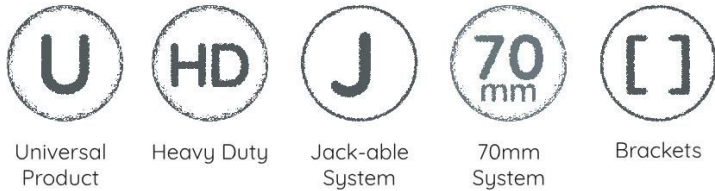
Fixed angle at 90°. This product can incorporate Brackets to make your coupler even more resilient, see pages 87+88 for information on Brackets.



NAME	MM9070
IXX (cm⁴)	28.74
IYY (cm⁴)	11.15
FRAME DEDUCTION	0
EXTERNAL TRIM	90
INTERNAL TRIM	N/A
UN-FOILED	YES
FOILED	YES
JACK-ABLE	JACK-22
BRACKETS	MM200BKT / MM200FBKT

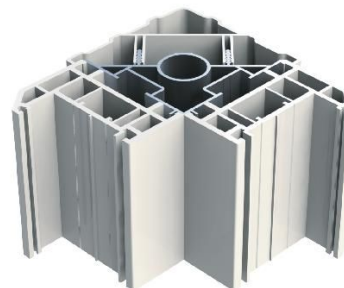


Screw fix from one side.
Fix through frame, coupler and adjoining frame.



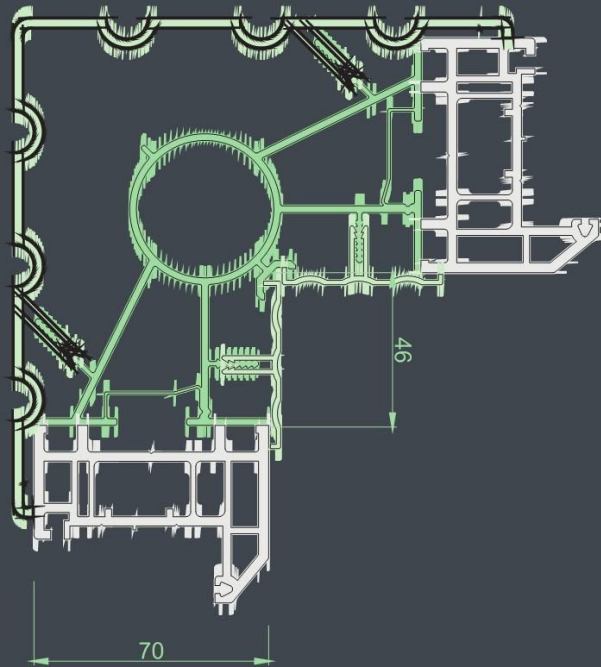
All our Jacks are tested to 9 Tonnes and are CE approved No. 0086-CPR-614908

HEIGHT	LOAD BEARING
900	Capped at 2 Tonnes
1200	
1500	
1800	
2100	
2400	

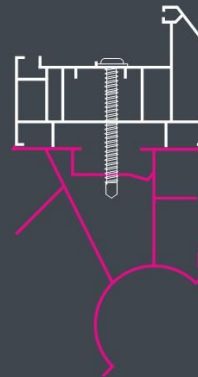


Cp WWL127 90°

Fixed angle at 90°. This product can incorporate Brackets to make your coupler even more resilient, see pages 87+88 for information on Brackets.



NAME	WWL127
IXX (cm⁴)	34.86
IYY (cm⁴)	34.86
FRAME DEDUCTION	46mm
EXTERNAL TRIM	VS90
INTERNAL TRIM	PILDT
UN-FOILED	YES
FOILED	YES
JACK-ABLE	JACK-7
BRACKETS	MM200BKT / MM200FBKT



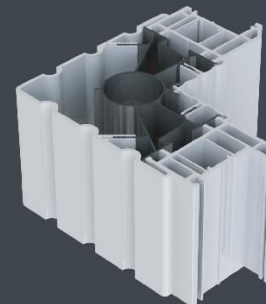
Screw from outside detail.
Frames can be screw-fitted through the coupler into the frame before the trim is added. This allows pre-glazed frames to be installed.



Universal Product Heavy Duty Jack-able System 70mm System Brackets

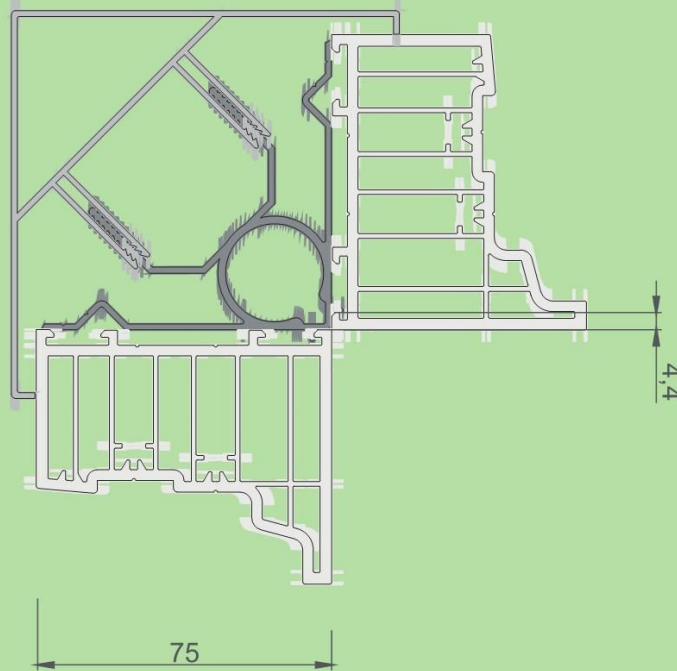
All our Jacks are tested to 9 Tonnes and are CE approved No. 0086-CPR-614908

HEIGHT	LOAD BEARING
900	Capped at 2 Tonnes
1200	
1500	
1800	
2100	
2400	

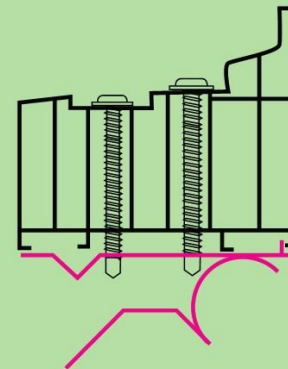


Cp R78108 90°

75mm to 86mm fixed angle 90°.



NAME	R78108
IXX (cm⁴)	15.11
IYY (cm⁴)	27.45
FRAME DEDUCTION	0
EXTERNAL TRIM	90SQ
INTERNAL TRIM	N/A
UN-FOILED	YES
FOILED	YES
JACK-ABLE	JACK-18



Screw from outside detail.
Frames can be screw-fitted through the coupler into the frame before the trim is added. This allows pre-glazed frames to be installed.



Universal Product



Jack-able System



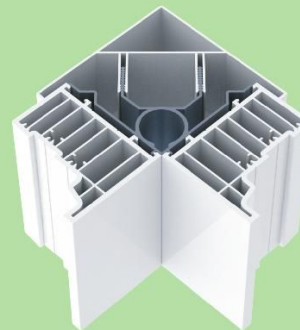
75/76mm System



85/86mm System

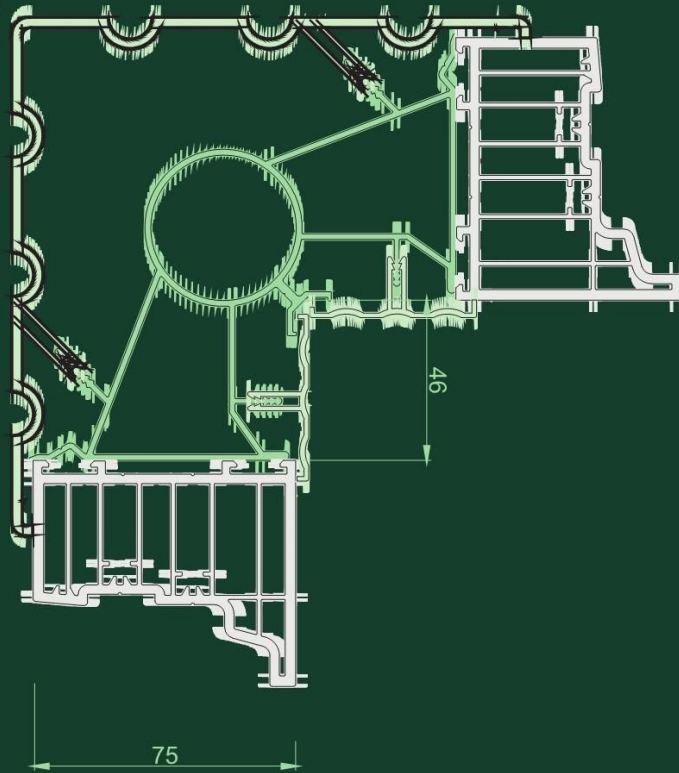
All our Jacks are tested to 9 Tonnes and are CE approved No. 0086-CPR-614908

HEIGHT	LOAD BEARING
900	Capped at 2 Tonnes
1200	
1500	
1800	
2100	
2400	

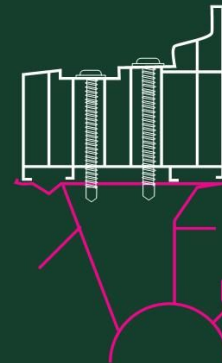


Cp R7108 90°

75/76mm fixed angle at 90°.



NAME	R7108
IXX (cm⁴)	189
IYY (cm⁴)	40.59
FRAME DEDUCTION	46mm
EXTERNAL TRIM	VS90
INTERNAL TRIM	PILD7
UN-FOILED	YES
FOILED	YES
JACK-ABLE	JACK-7



Screw from outside detail.
Frames can be screw-fitted through the coupler into the frame before the trim is added. This allows pre-glazed frames to be installed.



Universal Product



Jack-able System



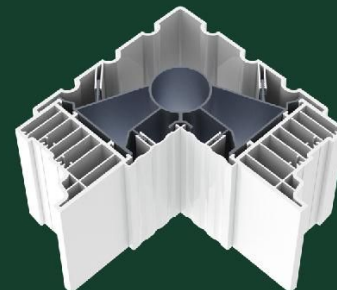
Heavy Duty



75/76mm System

All our Jacks are tested to 9 Tonnes and are CE approved No. 0086-CPR-614908

HEIGHT	LOAD BEARING
900	Capped at 2 Tonnes
1200	
1500	
1800	
2100	
2400	





Jacks

I'm alright Jack! You'll be alright too with our CE Marked jacks, ensuring you're compliant for load bearing capacity EN1993-1 and BBA report 2630.

Our jacks are made in-house, not imported or third party assembled! They are tested to 9 Tonnes and are guaranteed to 2 Tonnes. Beware of products that claim more as the jack will remain, however the pole will distort and spread over the capstan; it is the interface between the jack and the pole that is the weakest. Use our poles and jacks for guaranteed reliability.



CE MARKED



INSTALLER FRIENDLY



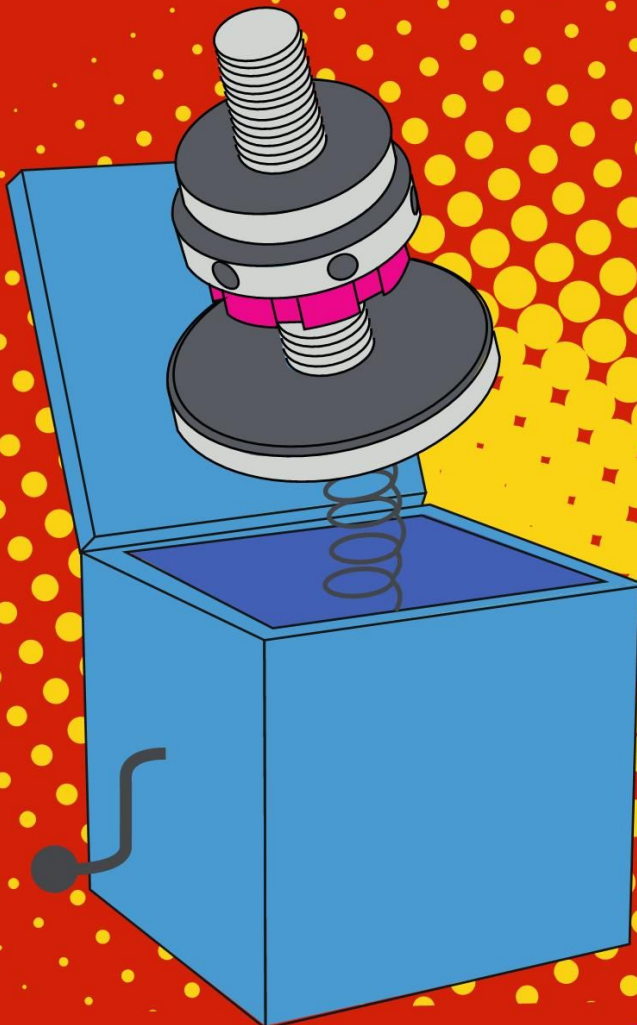
BBA ACCREDITED



TESTED TO 9 TONNES



NO SPANNER NEEDED



J JACKS

COUPLER, BAYPOLE OR CORNER-POST - USED TO COUPLE TWO FRAMES TOGETHER AT A VARIETY OF ANGLES AND CAN TAKE A DEAD-LOAD WHEN USING A JACK.

TOP OR SHIM - USED AT THE TOP OF THE BRICKWORK SECURING THE BAYPOLE AND ALLOWING THE WEIGHT TO TRAVEL THROUGH THE POLE DOWN TO THE BASE.

TOMMY NUT - EASILY ADJUSTED BY HAND AND PROVIDES SECURE LOCKING.

CAPSTAN - ALLOWS A BASE FOR YOUR POLE TO SIT ON ABOVE THE CILL.

BASE - SITS ON A SPREADER PLATE OR STRAIGHT ONTO AN EVEN BRICKWORK, AVAILABLE IN THREE DIFFERENT DESIGNS AS SHOWN BELOW

THREADED BAR - AVAILABLE IN TWO SIZES SUITABLE FOR YOUR DEEP TRADITIONAL CILLS.



NEW BUILD BASE



STANDARD BASE



105MM BASE

J JACKS

Choose the capstan to match your pole.

PRODUCT CODE

JACK-1

PRODUCT CODE

JACK-2

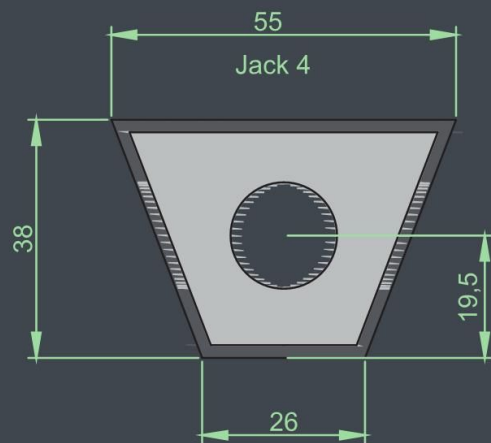


PRODUCT CODE

JACK-3

PRODUCT CODE

JACK-4



J

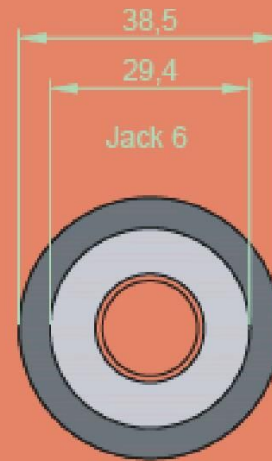
JACKS

PRODUCT CODE

JACK-5

PRODUCT CODE

JACK-6

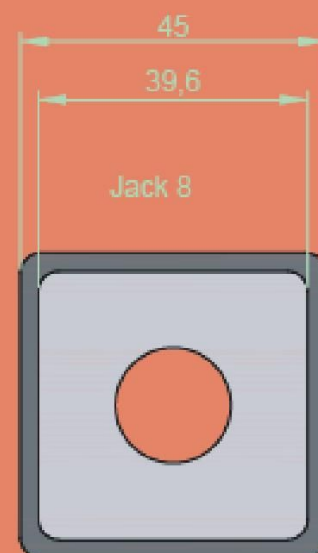
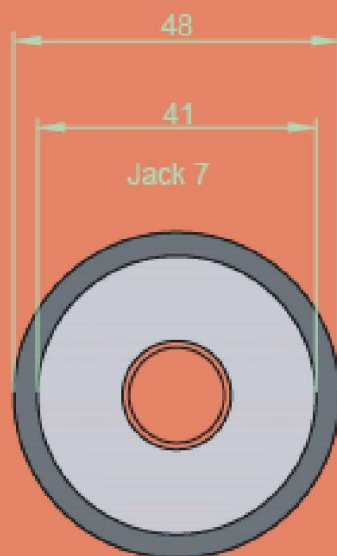


PRODUCT CODE

JACK-7

PRODUCT CODE

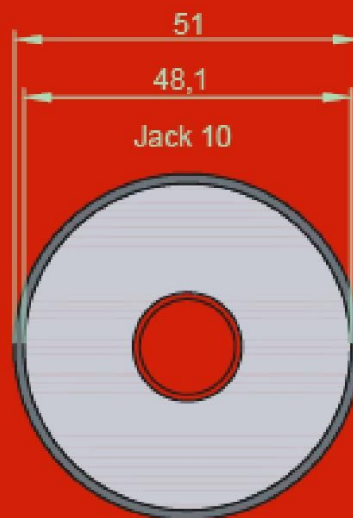
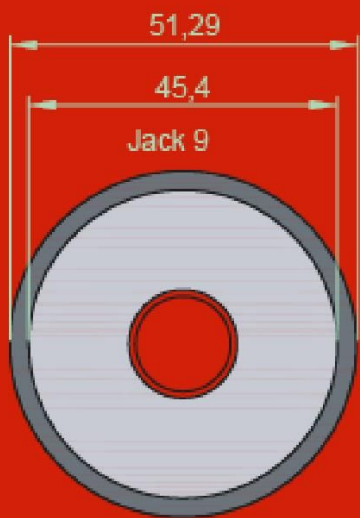
JACK-8



J JACKS

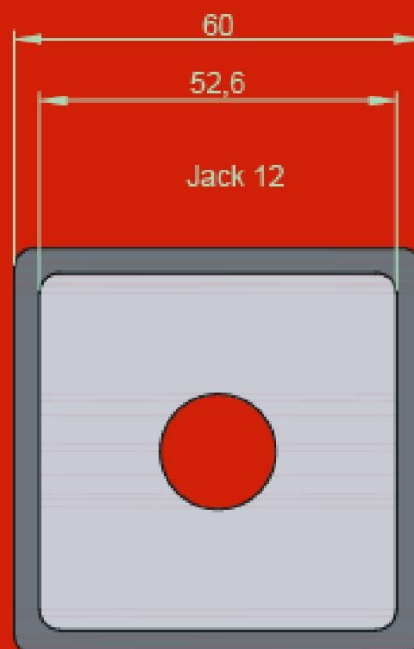
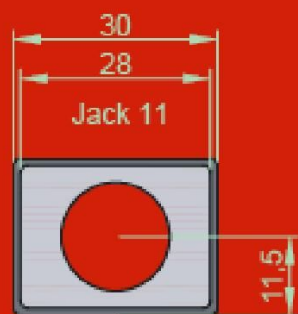
PRODUCT CODE JACK-9

PRODUCT CODE JACK-10



PRODUCT CODE JACK-11

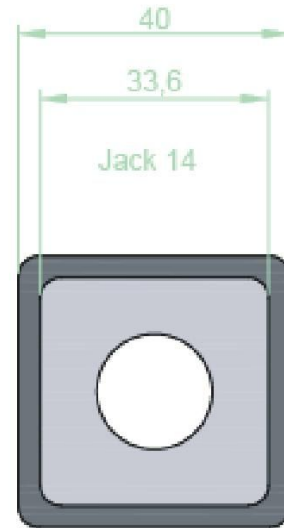
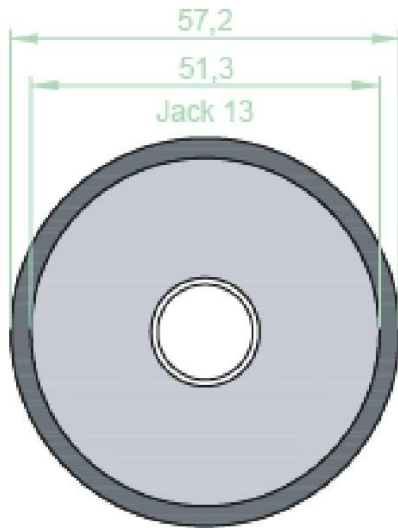
PRODUCT CODE JACK-12



J JACKS

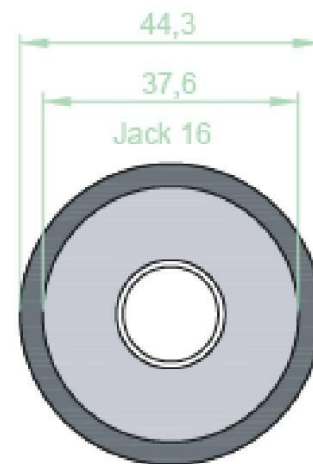
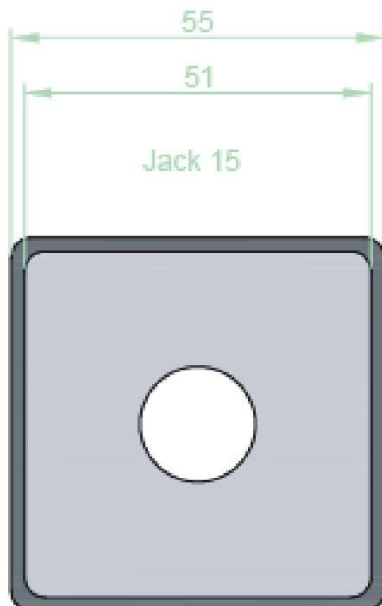
PRODUCT CODE JACK-13

PRODUCT CODE JACK-14



PRODUCT CODE JACK-15

PRODUCT CODE JACK-16



J

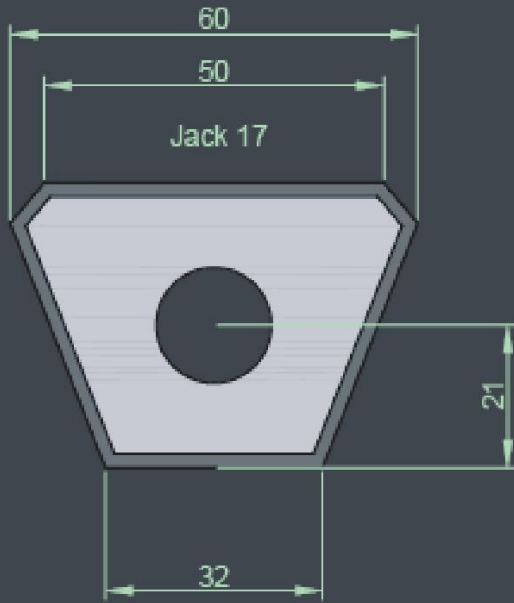
JACKS

PRODUCT CODE

JACK-17

PRODUCT CODE

JACK-18

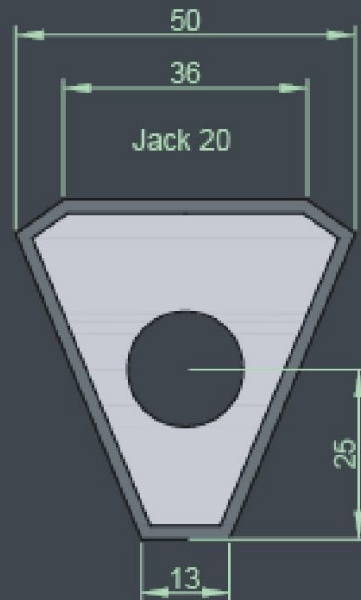
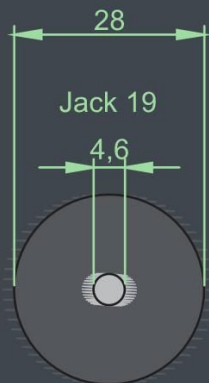


PRODUCT CODE

JACK-19

PRODUCT CODE

JACK-20



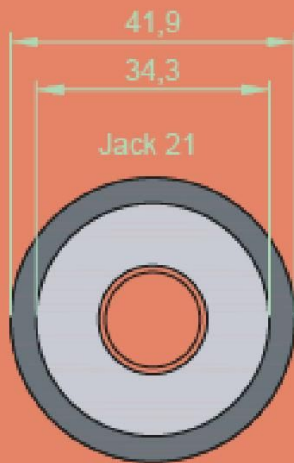
J JACKS

PRODUCT CODE

JACK-21

PRODUCT CODE

JACK-22

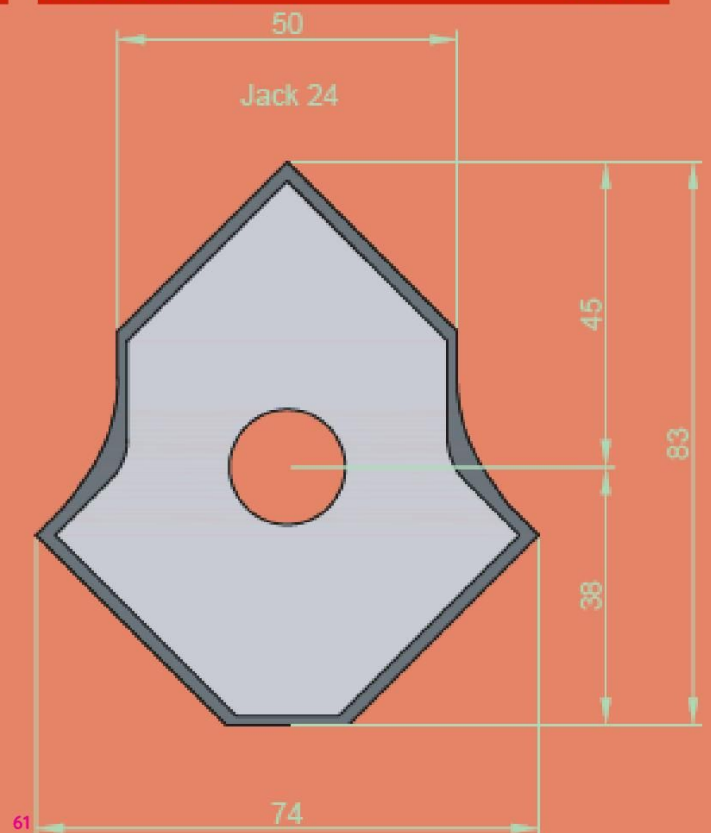


PRODUCT CODE

JACK-23

PRODUCT CODE

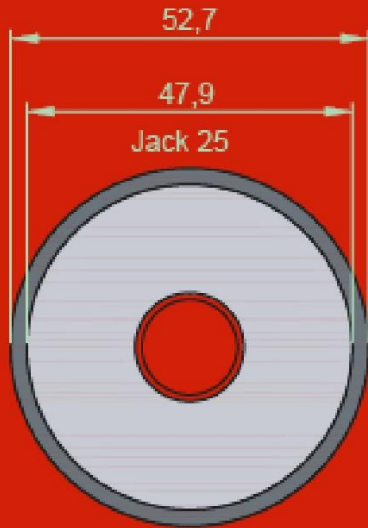
JACK-24



J JACKS

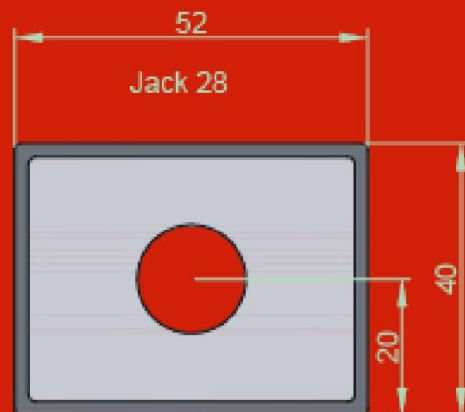
PRODUCT CODE JACK-25

PRODUCT CODE JACK-26



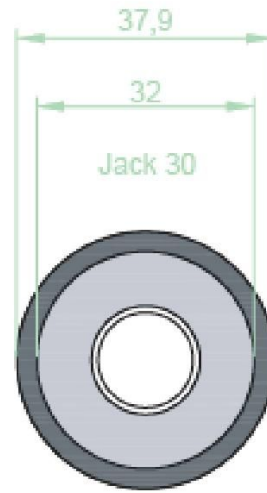
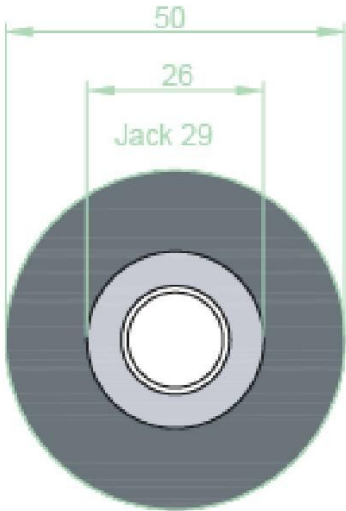
PRODUCT CODE JACK-27

PRODUCT CODE JACK-28

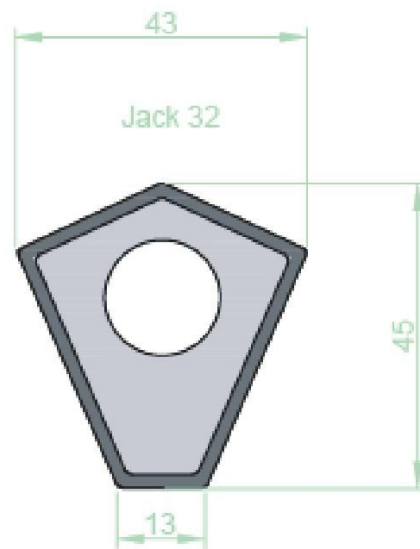
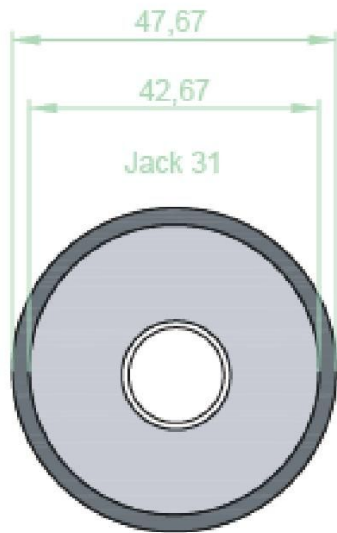


J JACKS

PRODUCT CODE JACK-29 PRODUCT CODE JACK-30



PRODUCT CODE JACK-31 PRODUCT CODE JACK-32



J

JACKS

PRODUCT CODE

JACK-33

PRODUCT CODE

JACK-34

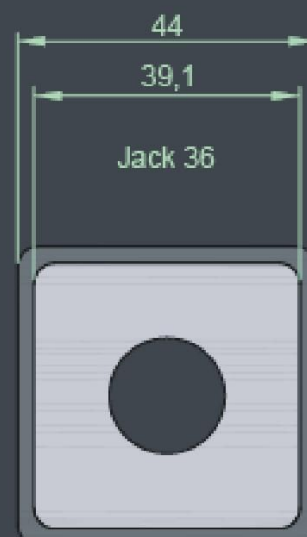
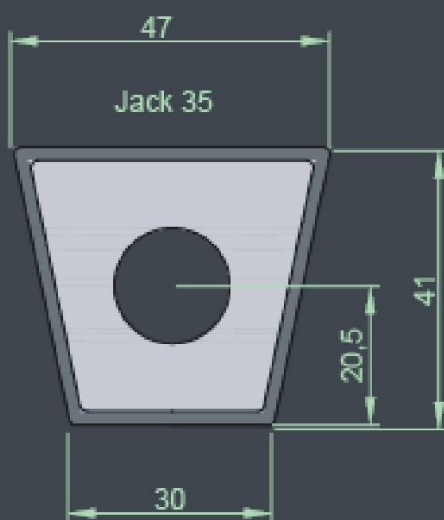


PRODUCT CODE

JACK-35

PRODUCT CODE

JACK-36

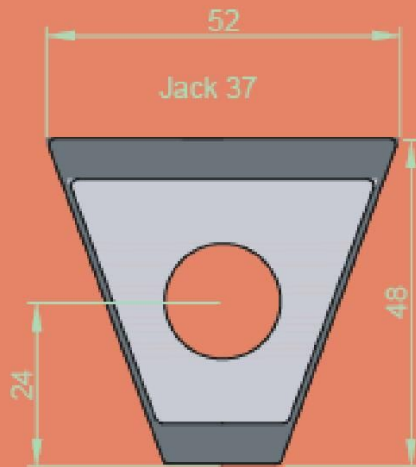


J

JACKS

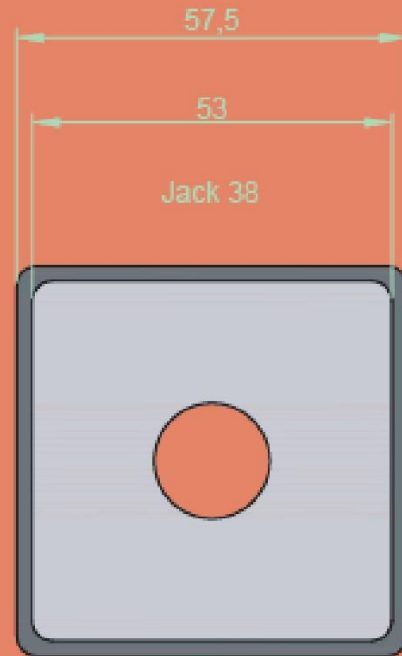
PRODUCT CODE

JACK-37



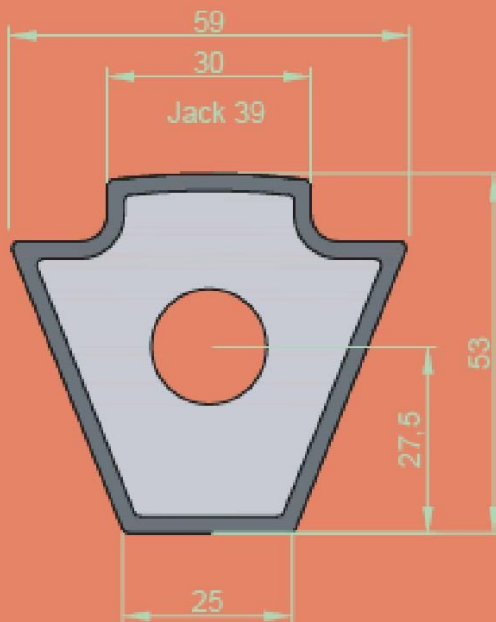
PRODUCT CODE

JACK-38



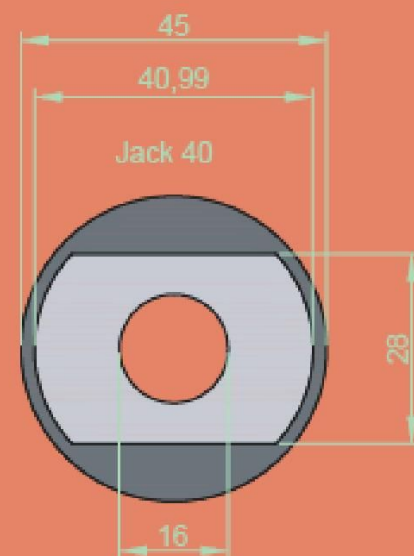
PRODUCT CODE

JACK-39



PRODUCT CODE

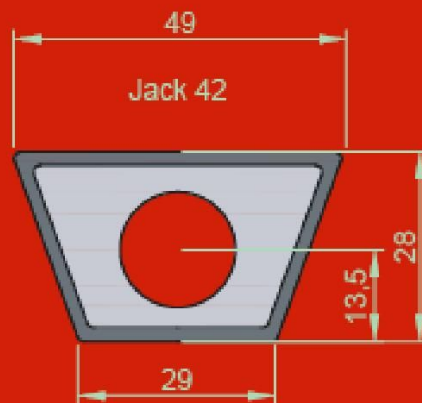
JACK-40



J JACKS

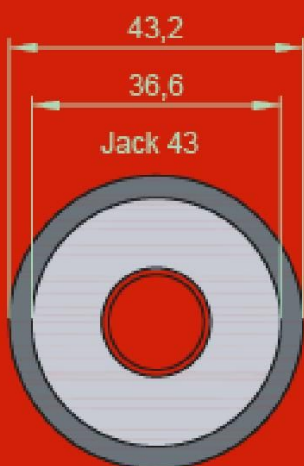
PRODUCT CODE JACK-41

PRODUCT CODE JACK-42



PRODUCT CODE JACK-43

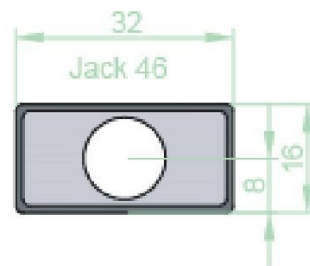
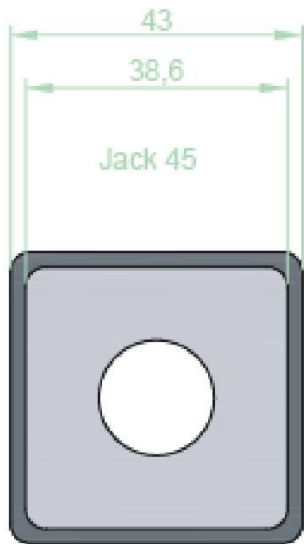
PRODUCT CODE JACK-44



J JACKS

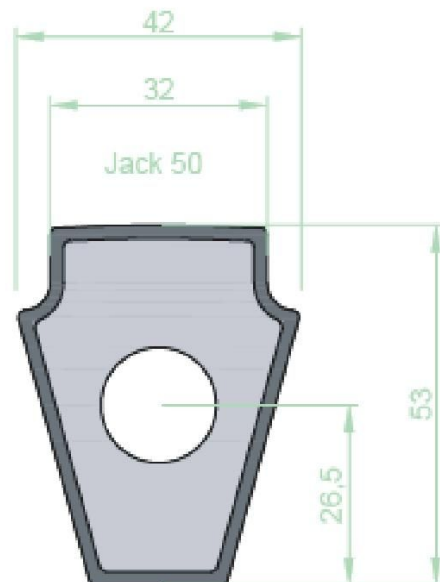
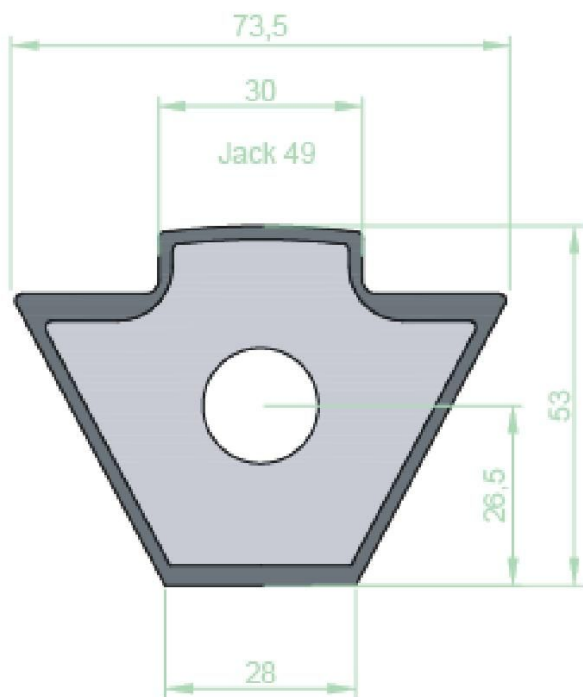
PRODUCT CODE JACK-45

PRODUCT CODE JACK-46



PRODUCT CODE JACK-49

PRODUCT CODE JACK-50



J

JACKS

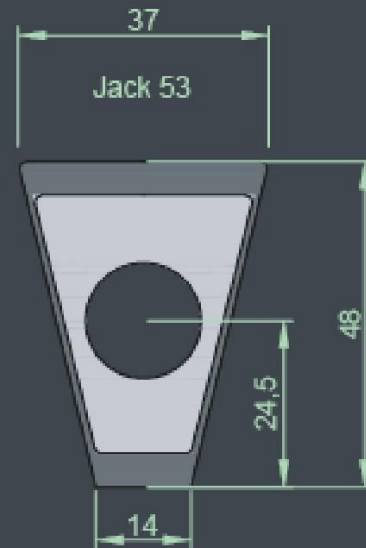
PRODUCT CODE

JACK-51



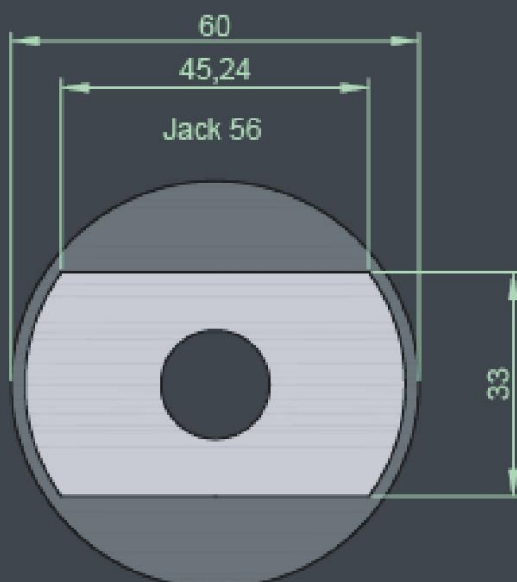
PRODUCT CODE

JACK-53



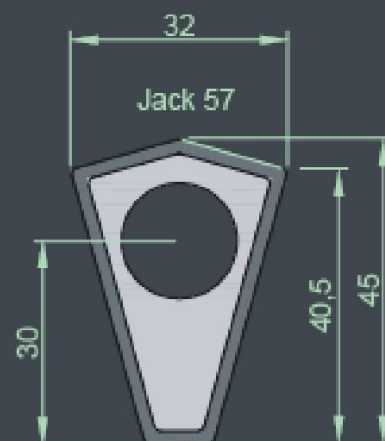
PRODUCT CODE

JACK-56



PRODUCT CODE

JACK-57

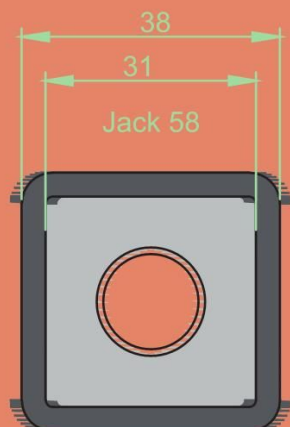


J

JACKS

PRODUCT CODE

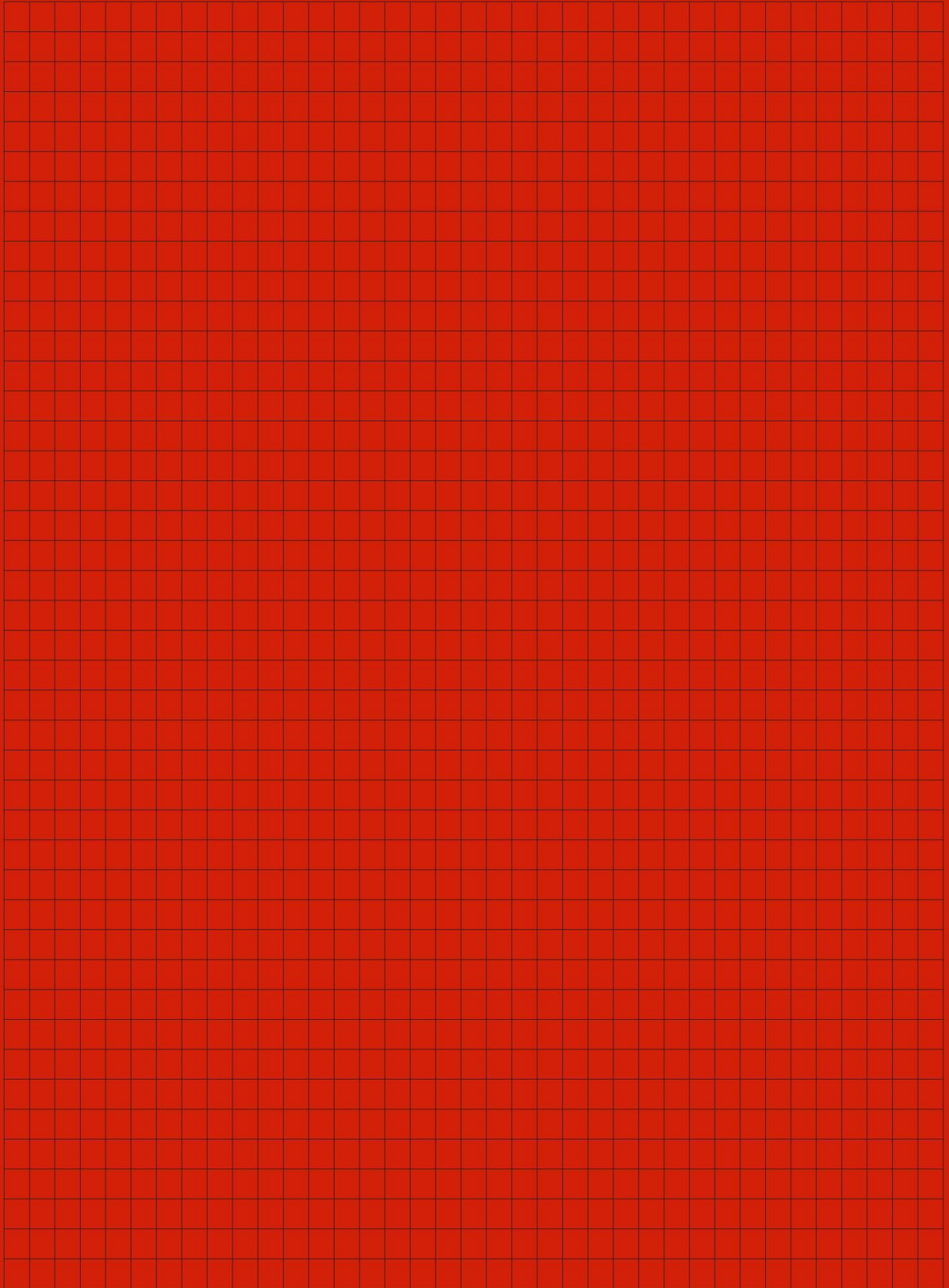
JACK-58



JACK SYSTEM CODES

MANUFACTURER	ROUND	SQUARE	135° FIXED	150° FIXED
Rehau Saddle & Pole 60mm	JACK-51	JACK-8		
Rehau Saddle & Pole 70mm	JACK-6	JACK-8		
Rehau Clip Trims	JACK-33	JACK-33		
Deceuninck 70mm	JACK-9	JACK-12	JACK-34	
Duraflex Steel Pole	JACK-3	JACK-38	JACK-39	
Duraflex 52mm Steel Pole	JACK-13			
Duraflex ALI Pole	JACK-30			
Veka 58mm	JACK-16	JACK-14		
Veka 70mm	JACK-29	JACK-14		
Veka 77mm		JACK-58		
Spectus	JACK-21	JACK-5		
Synseal Shield / Synerjy	JACK-10	JACK-15	JACK-20	
Synseal Legend	JACK-16	JACK-45		
Selecta	JACK-31	JACK-12	JACK-41	
Eurocell 60mm & 70mm	JACK-23	JACK-15		
Eurocell Part No. 513a		JACK-27	JACK-37	JACK-53
LB Sheer Frame 7000	JACK-40	JACK-44		
Halo	JACK-56	JACK-5		
KBE		JACK-14		
Kommerling 70mm		JACK-5		
Profile 22	JACK-34	JACK-5		

J NOTES



J DID YOU KNOW?

POLAR BEARS CAN GROW UP TO 11FT TALL... THIS ONE IS GETTING THERE

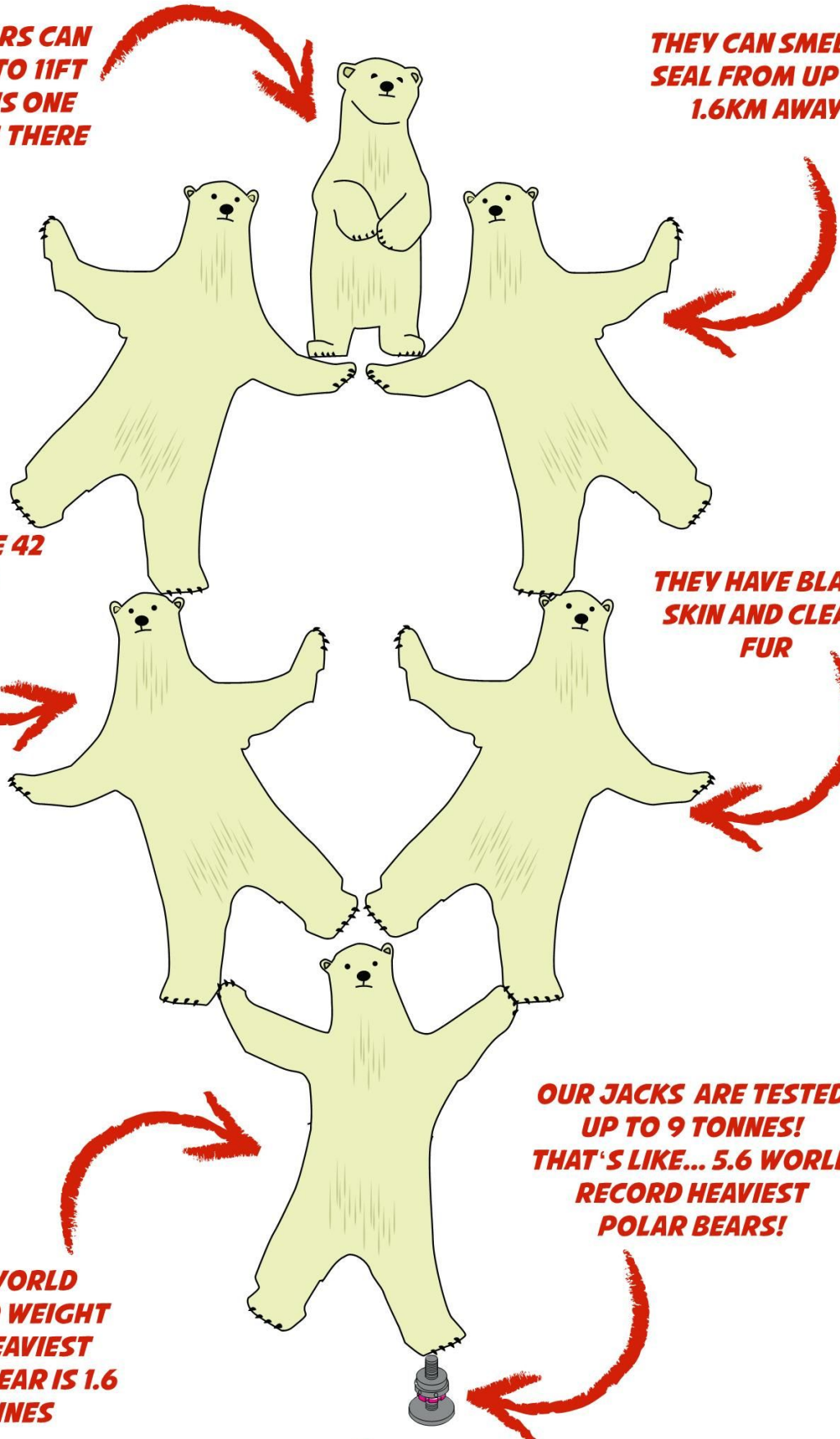
THEY CAN SMELL A SEAL FROM UP TO 1.6KM AWAY

THEY HAVE 42 TEETH

THEY HAVE BLACK SKIN AND CLEAR FUR

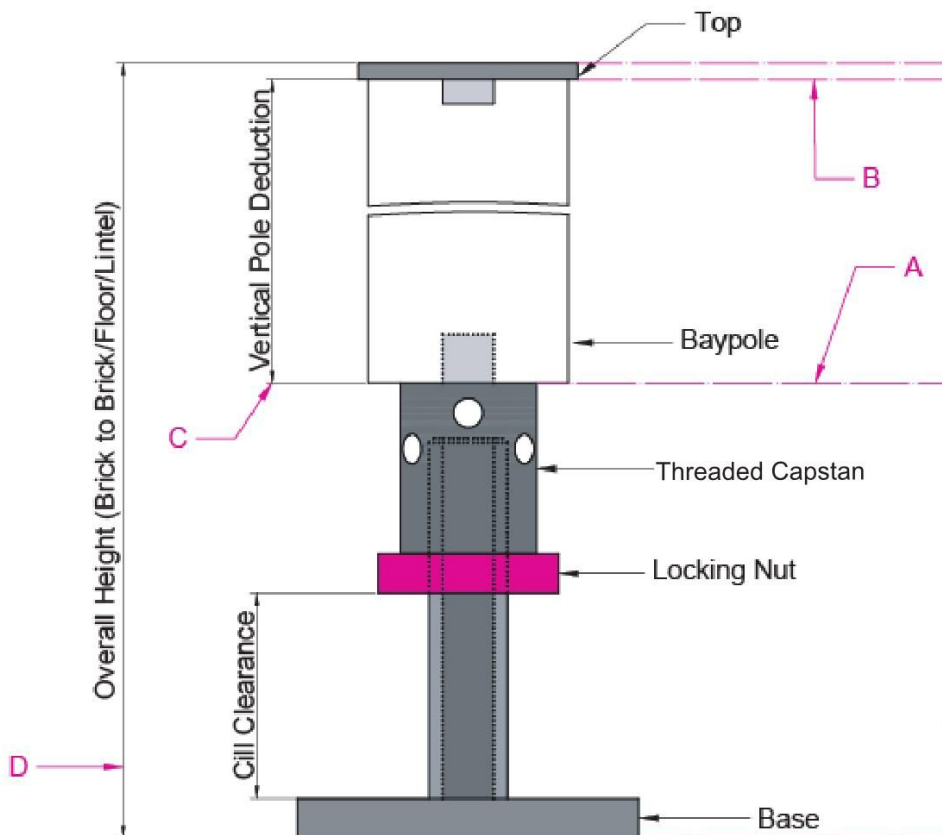
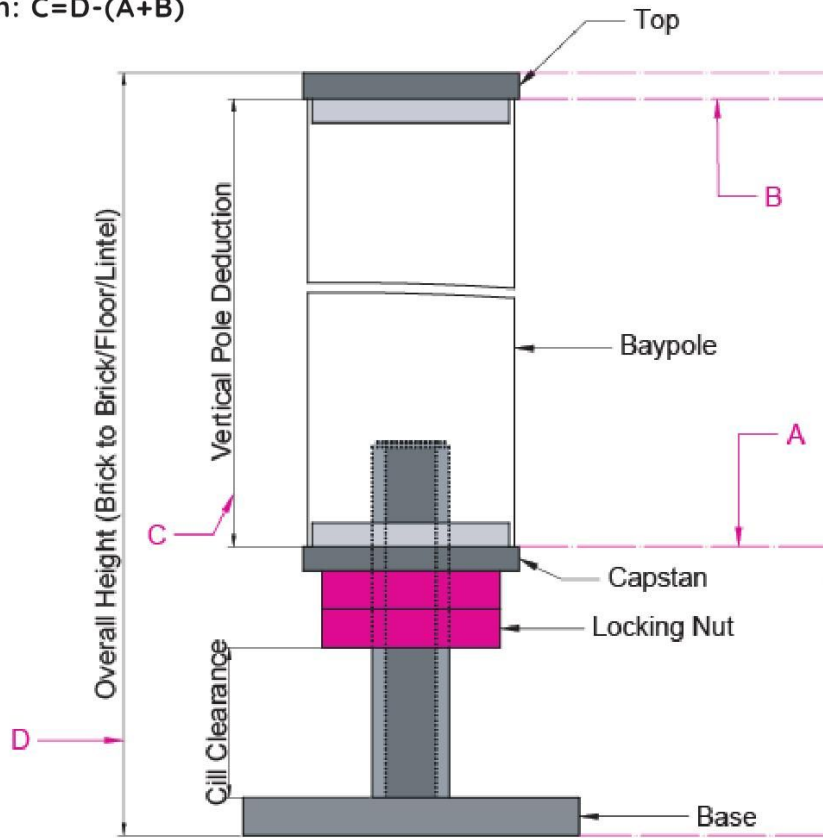
OUR JACKS ARE TESTED UP TO 9 TONNES! THAT'S LIKE... 5.6 WORLD RECORD HEAVIEST POLAR BEARS!

THE WORLD RECORD WEIGHT FOR HEAVIEST POLAR BEAR IS 1.6 TONNES



J JACK DEDUCTION

Jack Deduction: $C=D-(A+B)$



J JACK DEDUCTION

These charts show your specific Jack deduction

PRODUCT CODE	STACK GROUP
JACK-1	1
JACK-2	4
JACK-2 (105)	4
JACK-3	2
JACK-4	3
JACK-5	3
JACK-6	2
JACK-7	2
JACK-7 (105)	2
JACK-8	3
JACK-9	2
JACK-10	2
JACK-11	3
JACK-11 (105)	3
JACK-12	3
JACK-13	2
JACK-14	3
JACK-15	3
JACK-15NB	3
JACK-16	2
JACK-17	3
JACK-18	2
JACK-19	4
JACK-19 (105)	4
JACK-20	3
JACK-20NB	3
JACK-21	2
JACK-22	2
JACK-23	2

PRODUCT CODE	STACK GROUP
JACK-24	3
JACK-25	2
JACK-26	2
JACK-27	3
JACK-28	3
JACK-29	2
JACK-30	2
JACK-31	2
JACK-32	3
JACK-33	2
JACK-34	2
JACK-35	3
JACK-36	3
JACK-37	3
JACK-38	3
JACK-39	3
JACK-40	3
JACK-41	3
JACK-42	3
JACK-43	2
JACK-44	3
JACK-45	3
JACK-46	3
JACK-49	3
JACK-50	3
JACK-51	2
JACK-53	3
JACK-56	3
JACK-57	3
JACK-58	3

STACK GROUP	DEDUCTIONS
1	64MM
2	67MM
3	70MM
4	90MM

Visit the website
for all Baypole
Jack Deductions



OPEN THE CAMERA ON YOUR
PHONE & SCAN ME

J SPREADER PLATES

Square Spreader Plates

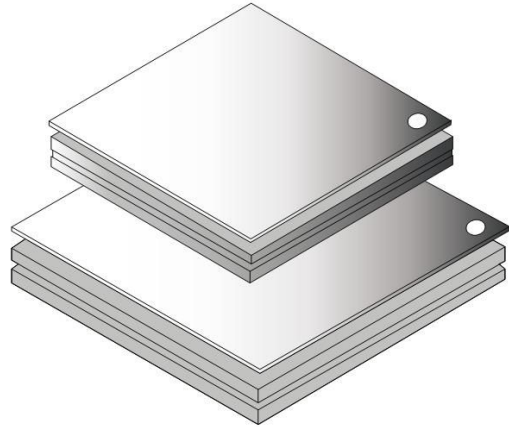
Use spreader plates for spreading loads. Ideal for packing under jacks or poles when the brick is uneven or in poor condition.

1mm Aluminium (shim)

5mm Thick Aluminium (spreader plate)

1mm Thick Stainless Steel (shim)

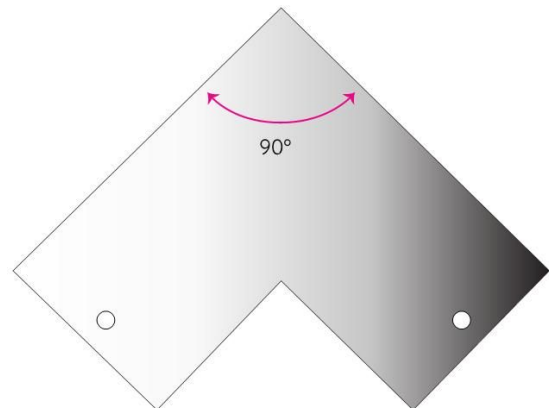
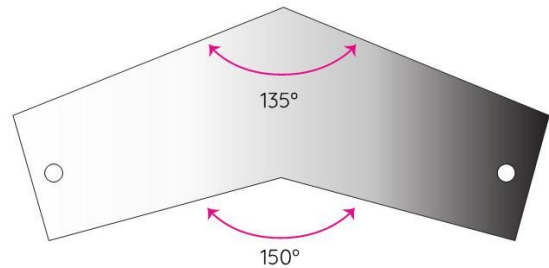
3mm Thick Stainless Steel (spreader plate)



Angled Spreader Plates

Angled Spreader plates are ideal in conservatories, wherever you may need to spread load onto a dwarf wall and ring beam.

3mm Stainless Steel (spreader plate)

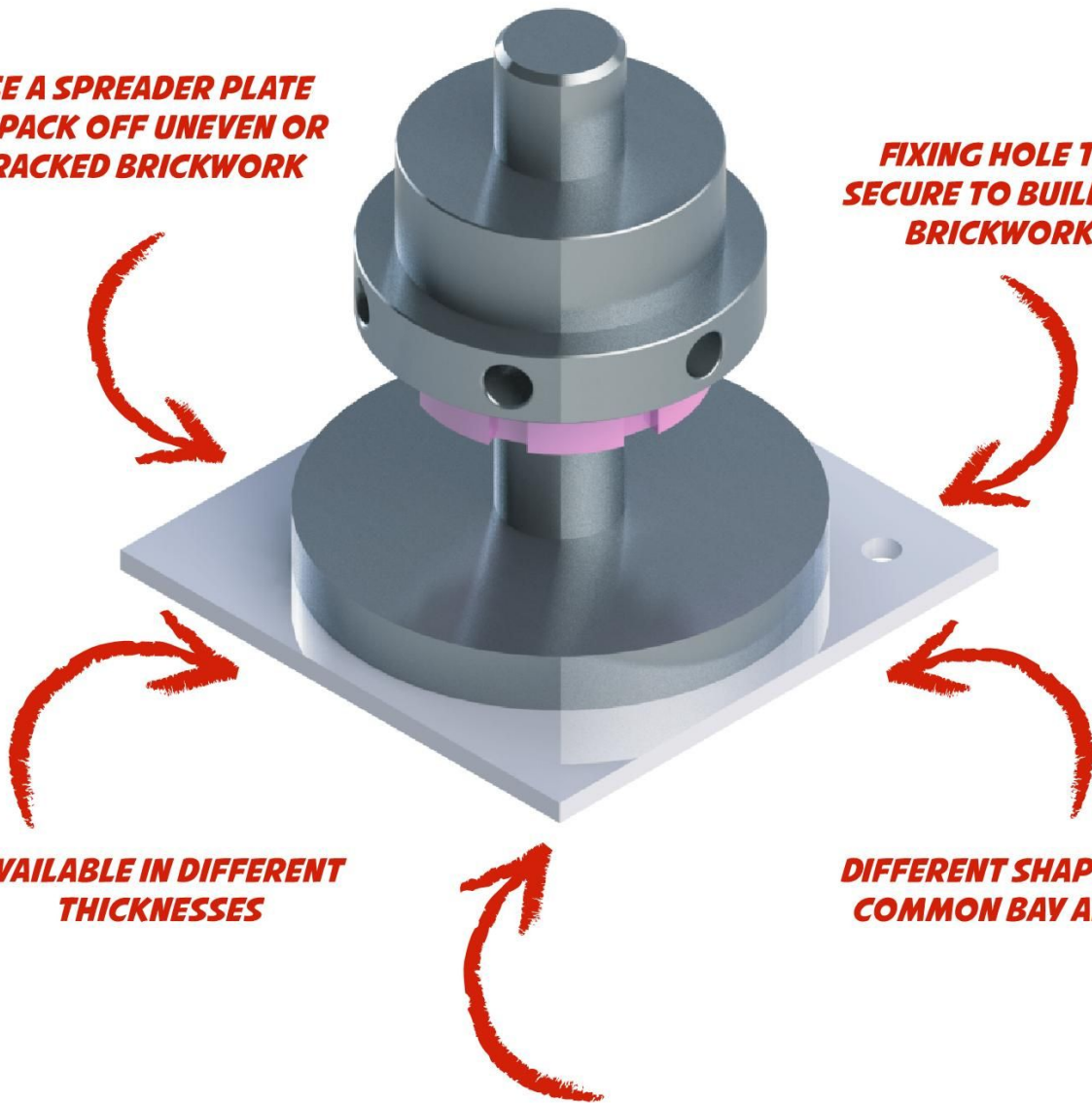


NAME	PRODUCT CODE	MATERIAL	SIZE
SQUARE SPREADER PLATES	75751ALI	Aluminium	75 x 75 x 1
	75755ALI	Aluminium	75 x 75 x 5
	75751SS	Stainless Steel	75 x 75 x 1
	75753SS	Stainless Steel	75 x 75 x 3
	90901ALI	Aluminium	90 x 90 x 1
	90905ALI	Aluminium	90 x 90 x 5
	90901SS	Stainless Steel	90 x 90 x 1
	90903SS	Stainless Steel	90 x 90 x 3
ANGLED SPREADER PLATES	903SS	Stainless Steel	90° x 3
	135X30	Stainless Steel	135° x 3

J SPREADER PLATES

**USE A SPREADER PLATE
TO PACK OFF UNEVEN OR
CRACKED BRICKWORK**

**FIXING HOLE TO
SECURE TO BUILDING
BRICKWORK**



**AVAILABLE IN DIFFERENT
THICKNESSES**

**DIFFERENT SHAPES FOR
COMMON BAY ANGLES**

**MADE FROM STAINLESS
STEEL OR ALUMINIUM**

CE MARKING

CE Marking

We are fully committed to meeting the standards required by CE Marking of our products. Since 2014 we have ensured our load bearing products are fully certified in accordance with EN1090-1 Execution of steel structures and aluminium structures.



CE APPROVED



LOAD BEARING

We continue to work closely with BSI to maintain and develop our Certificate of Conformity for our Factory Production Control, undertaking annual audit process of all load bearing products to ensure that these are designed, manufactured and tested to the highest standards. The process means we have the opportunity for continuous improvement across the board which means a better service and products for our customers.

We offer a declaration of performance for three of our core products; baypole jacks, structural brackets and baypoles/couplers. These are available on request or from our website and can be used to show compliance.

We continue as a company to develop our systems and processes and this certification shows our commitment as a market leader.

J CERTIFICATES

bsi. By Royal Charter
Certificate of Conformity of the Factory Production Control

This is to certify that:
 Window Widgets (2006) Ltd
 Unit C Quedgeley Trading Estate
 Bristol Road
 Gloucester
 GL2 4PA
 United Kingdom

Holds Certificate Number: 0086-CPR-638382

In respect of:
 EN 1090-1:2009+A1:2011 - Execution of steel structures and aluminium structures.

The design and manufacture (including welding) of structural work in steel and aluminium up to and including Execution Class 2 (EXC 2) as defined in EN 1090-2 and EN 1090-3.

In compliance with Regulation 305/2011/EU of the European Parliament and of the Council of 9 March 2011 (the Construction Products Regulation or CPR), this certificate applies to the above construction product. This certificate attests that all the provisions concerning the assessment and verification of constancy of performance described in Annex ZA of the above standard(s) under system 2+ are applied and that the product fulfils (products fulfil) all the prescribed requirements set out above. This certificate remains valid as long as the test methods and/or factory production control requirements included in the harmonised standard(s), used to assess the performance of the production control characteristics, do not change and the products(s), and the manufacturing conditions in the declared essential characteristics, are not modified significantly.

For and on behalf of BSI, a Notified Body for the above Regulation (Notified Body Number 0086):
 Gary Fenton, Global Product Certification Director
 Latest Issue: 24/06/2015

Page: 1 of 2

...making excellence a habit™

This certificate has been issued by and remains the property of BSI Assurance UK Ltd, Kitemark Court, Davy Avenue, Knowlhill, Milton Keynes MK5 6PP, United Kingdom and should be returned immediately upon request. To check its validity telephone +44 (0) 845 080 9000. An electronic certificate can be authenticated [online](#).
 BSI Assurance UK Limited, registered in England under number 7805321 at 389 Chiswick High Road, London W4 4AL, UK. A member of BSI Group of Companies.

Declaration of Performance

...hereby declares that its
 products,
 for the Installation of Windows, Doors & Conservatories,
 in accordance with Annex ZA, BS EN 1090-1:2009+A1:2011

...manufacturing plant and Factory Production Control (FPC) and
 assessment and evaluation of the Factory Production Control is

BSI Group
 Kitemark House
 Maylands Avenue
 Hemel Hempstead
 HP2 4SQ

0086
 0086-CPR-614908

...refer to structural calculations, see BBA Report No.
 2630
 according to EN 1993-1 for use with "Mighty
 Lion" range
 according to component specification and EN 1090-
 Execution Class 2 (EXC2)


C D.O.P Certificate
 WW 00


Manufacturing:
 According to EN 1993-1
 According to component specification and EN 1090-3: Execution Class 2 (EXC2)

Resistance to Fire:
 NPd
 Fatigue Strength:
 NPd

Manufacturing Characteristics
 Tolerances on Dimensions:
 Weldability:
 Fracture Toughness:
 Deformation at serviceability limit state:
 Reaction to Fire:
 Release of Cadmium:
 Emission of Radioactivity:
 Durability:

As EN 1090-3 for aluminium components
 EN AW-6063 T6 and EN AW-5083 according to EN1011-4 and EN1999-1-1
 NPd
 See design brief and calculations in BBA Report No. 2631
 Class A1
 NPd
 NPd
 NPd
 NPd

Manufactured by:

 Window Widgets LLP,
 Unit C Quedgeley West
 Business Park,
 Bristol Road,
 Gloucester,
 GL2 4PA.
 Tel: (01452) 300912
 Fax: (01452) 416654
www.windowwidgets.co.uk

Signed for, and on behalf of the manufacturer, by:

 D. Gill (Company Director)
 September, 2014

Declaration of Performance

...y declares that its
 products,
 for the Installation of Windows, Doors & Conservatories,
 in accordance with Annex ZA, BS EN 1090-1:2009+A1:2011

...ring plant and Factory Production Control (FPC) and
 assessment and evaluation of the Factory Production Control is

BSI Group
 Kitemark House
 Maylands Avenue
 Hemel Hempstead
 HP2 4SQ

0086
 0086-CPR-614908

...Refer to structural calculations, see BBA Report No.
 2630
 According to EN 1993-1
 According to component specification and EN 1090-2
 & EN 1090-3: Execution Class 2 (EXC2)
 NPd
 NPd


Structural Characteristics
 Load Bearing:
 Design:
 Manufacturing:
 Resistance to Fire:
 Fatigue Strength:

Refer to structural calculations, see BBA Report No. 2630
 According to EN 1993-1
 According to component specification and EN 1090-2
 & EN 1090-3: Execution Class 2 (EXC2)
 NPd
 NPd

Manufacturing Characteristics
 Tolerances on Dimensions:
 Weldability:
 Fracture Toughness:

As EN 1090-2 for steel components
 As EN 1090-3 for aluminium components
 X5CrNi18-10 according to EN1088-3
 S275 according to EN1025-2
 EN AW-6063 T6 and EN AW-5083 according to EN1011-4 and EN1999-1-1
 X5CrNi18-10 - 60 J @ 20°C
 S275 - 27 J @ 0°C
 Not required for aluminium components
 See design brief and calculations in BBA Report No. 2630
 Class A1
 NPd
 NPd
 Surface preparation as EN 1090-2 preparation grade P2

...ation at serviceability limit state:
 Reaction to Fire:
 Release of Cadmium:
 Emission of Radioactivity:
 Durability:

For, and on behalf of the manufacturer, by:

 D. Gill (Company Director)
 September, 2014

Certificates are issued as and when amendments are needed. We have proudly not needed any amendments since 2014.

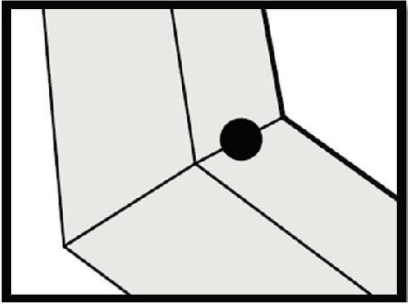
Tel: (01452) 300912
 Fax: (01452) 416654
www.windowwidgets.co.uk

D. Gill (Company Director)
 September, 2014

J JACK FITTING GUIDE

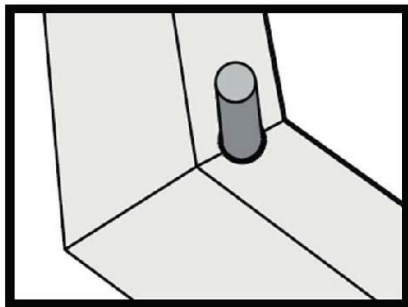
For Window Widgets' Poles

1. Drill a 20mm hole through the cill at each intersection on the centrelines of your baypole/post.

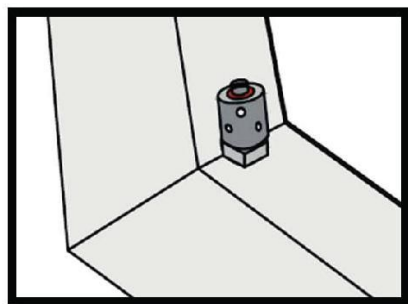


2. You should chase out old mortar under each jack so that the 60mm base rests on a sound, level surface. If the jack is unstable, you should pack with a spreader plate underneath until it is sound, level and true.

3. Position the cill over the jack at each load bearing corner. You must silicone seal between the jack and the top bed of the cill so that water is not able to track through the 20mm hole in the future.



4. Wind down the locknut and capstan onto each thread, as far as you can just short of the silicone seal.

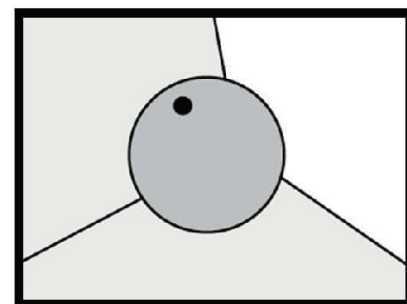
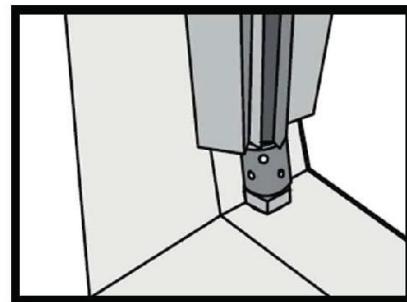


5. You need to cut the pole to length based on the distance between the capstan and the head of the structural opening. See page 73 for pole height deductions. If using a spreader plate remember to deduct either 3 or 5mm, depending on chosen spreader plate. The ends of the reinforcement should always be treated with bitumen paint or similar.

6. Where frame adapters apply cut the aluminium adapter 100mm shorter than the frame height, position it 80mm from the bottom. Screw heads must be tight to the adapter to avoid interference with the baypole.

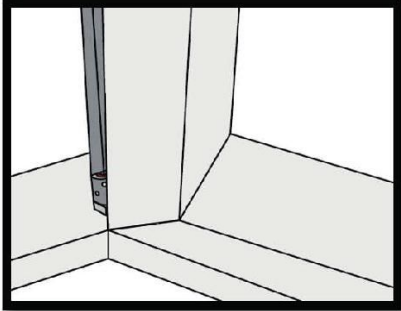
7. The reinforcement needs to be screwed adjacent to the frames at **max. 250mm centres** both sides and 150mm from the ends.

8. Position your reinforcement on the capstan and the top to the head of the reinforcement, only when the pole is true and vertical, can you wind up the jack using the nut to take the load (the nuts can be adjusted by hand).

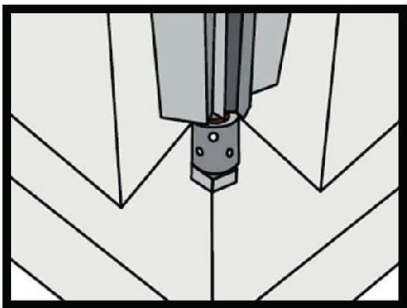


J JACK FITTING GUIDE

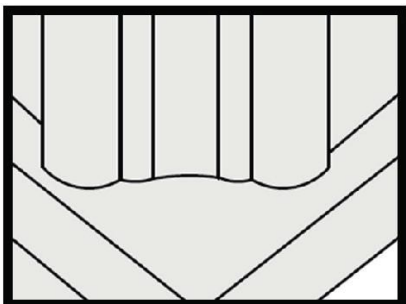
9. Once adjusted to the required height, lockout the locknut provided (always use the locknut).



10. You can now fit adjacent frames. It is important that you fix the frames to both the pole and the head of the building.



11. Now simply push your trim onto the reinforcement legs.



12. All bay installations should meet the requirements set out in the BS8213-4 Code of Practice for the survey and installation of window and external doorsets, GGF and FENSA guidelines.

J JACK FITTING GUIDE

For Non-Window Widgets Poles

1. Drill a 20mm hole through the cill at each intersection on the centrelines of your baypole/post.
2. You should chase out old mortar under each jack so that the 60mm base rests on a sound, level surface. If the jack is unstable, you should pack with a spreader plate underneath until it is sound, level and true.
3. Position the cill over the jack at each load bearing corner. You must silicone seal between the jack and the top bed of the cill so that water is not able to track through the 20mm hole in the future.
4. Wind down the locknut and capstan onto each thread, as far as you can just short of the silicone seal.
5. You now need to prepare PVC-U sleeving so that you can adjust the baypole jack. For round poles, put through one end, about 1/3 of the way across to a depth of c.35mm. Now cut through from the side nearest the cut and cut out a small square in the pole. For square posts, cut out a 40mm deep notch as wide as possible on adjacent sides of the post, where frames will be fitted later.
6. You need to cut the reinforcement to length based on the distance between the capstan and the head of the structural opening. If using a spreader plate remember to deduct either 3 or 5mm, depending on chosen spreader plate. The ends of the reinforcement should always be treated with bitumen paint or similar.
7. Position reinforcement and sleeving and rest on the capstan.
8. Position the top of the jack at the head of the reinforcement.
9. Only when the pole is true and vertical, can you wind up the jack using the nut to take the load. For round poles, wind up the capstan using a screwdriver in the holes provided. The preparation of the PVC-U sleeving described earlier allows access. For square poles, you will need to use a spanner or adjust the nut by hand.
10. Once adjusted to the required height, lockout the locknut provided (always use the locknut).
11. For round poles, you can now twist the PVC-U sleeving around and hide the cut out behind the PVC-U frame adapter. For square posts, the cut out should be hidden when you fit adjacent frames.
12. You can now fit adjacent frames. It is important that you fix the frames to both the pole and to the head of the building.

J FENSA COMPLIANT

Keep compliant with FENSA and the Local Building Control Officer

Now that all window installations have to either be self-certified through FENSA or inspected by Local Building Control Officers, baypole jacks provide a cost-effective route to compliance.

Manufactured from stainless steel 303, our bases are designed to fit under the cill. The M16 thread pushes up through a hole drilled in the cill and the locknut and capstan wind onto the thread to support your pole. We even supply a top Spreader Plate for the top of the pole; thus you only need one jack per pole.

What will non-compliance cost you?

FENSA inspections will routinely check one of your bay window installations against APPROVED DOCUMENT A – structure. “The inspector will be looking for evidence that the installation has reinforcement where appropriate to ensure it is able to sustain the load it is supporting. This is particularly relevant to bay windows”. There are guidelines in the Certificate of Performance for the survey and installation of bay windows, which necessitate the use of baypole jacks or spreader plates.

Check if your installation will comply?

- The method of adjusting the length of baypole must be either with shims or self-jacking devices.
- If shims are used, they should be made from non-compressible material such as metal and not glazing wedges or timber.
- Provision must be made to prevent shims moving relative to the baypole.
- Provision must be made to stop metal shim working loose.
- Bearing plates should always be used when loads are transferred from or to brickwork, stone or timber.

- Bearing plates should be made from 3mm-thickness steel or minimum 5mm-thickness aluminium with minimum area of 180mm. The bearing plate should completely cover the end of the pole.
- Provision must be made to prevent the plate moving relative to the baypole.

Technical Data

Testing

We have independently tested our jacks up to 9 tonnes without failure although in practice we know that it is the interface between the pole and the jack that fails. This usually happens around 2 tonnes depending on your pole.

Loading

Vertically applied loads of up to 2 tonnes are permissible. Check with your pole supplier for its load bearing capacity.

Materials

Bases are manufactured from stainless steel 303. Capstans are made from aluminium or zinc plated mild steel.

Locknuts

All jacks are supplied with stainless steel A2 locknuts, which should always be used.



P

Pilaster

Pilaster is a range of trims to be used with a variety of our couplers and baypoles to give a deep decorative effect to a modern installation.

Designed with chunky oversized period features in mind, it gives a perceived added value to the homeowner and an excellent "up-sell". Can be incorporated into orangeries, bays and garden rooms, particularly good for vertical slider and flush fit installations too!



UP-SELL



VARIOUS COLOURS



INSTALLER FRIENDLY



DECORATIVE

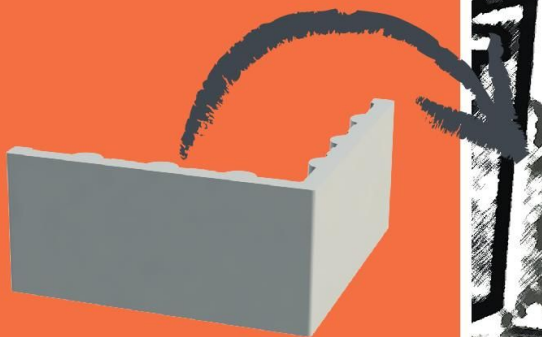


P PILASTER



**DECORATIVE TRIM
INCLUDES FOILED OR
UN-FOILED OPTIONS**

**COMPLETE THE
HERITAGE LOOK WITH
PLINTH- AVAILABLE IN
IN-LINE & 90°**

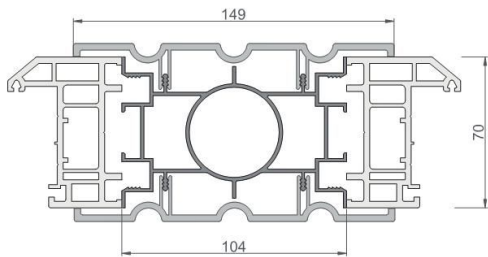


P

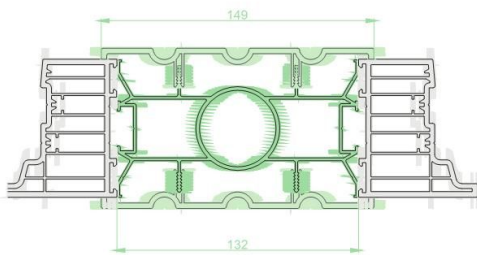
P GET THE LOOK

104mm In-line Pilaster and Plinth

PRODUCT	IN-LINE LOOK
PART NO.	DESCRIPTION
WWL146	104mm in-line coupler for 70mm frames
R78115	132mm in-line coupler for 75mm-85mm frames
CPILDT	Chunky coupler fluted trim external and internal (foiled or un-foiled)
WWL147	In-line plinth available in heights of 75mm & 200mm (sprayed or foiled)



In-line Coupler WWL146
see page 23 for further details



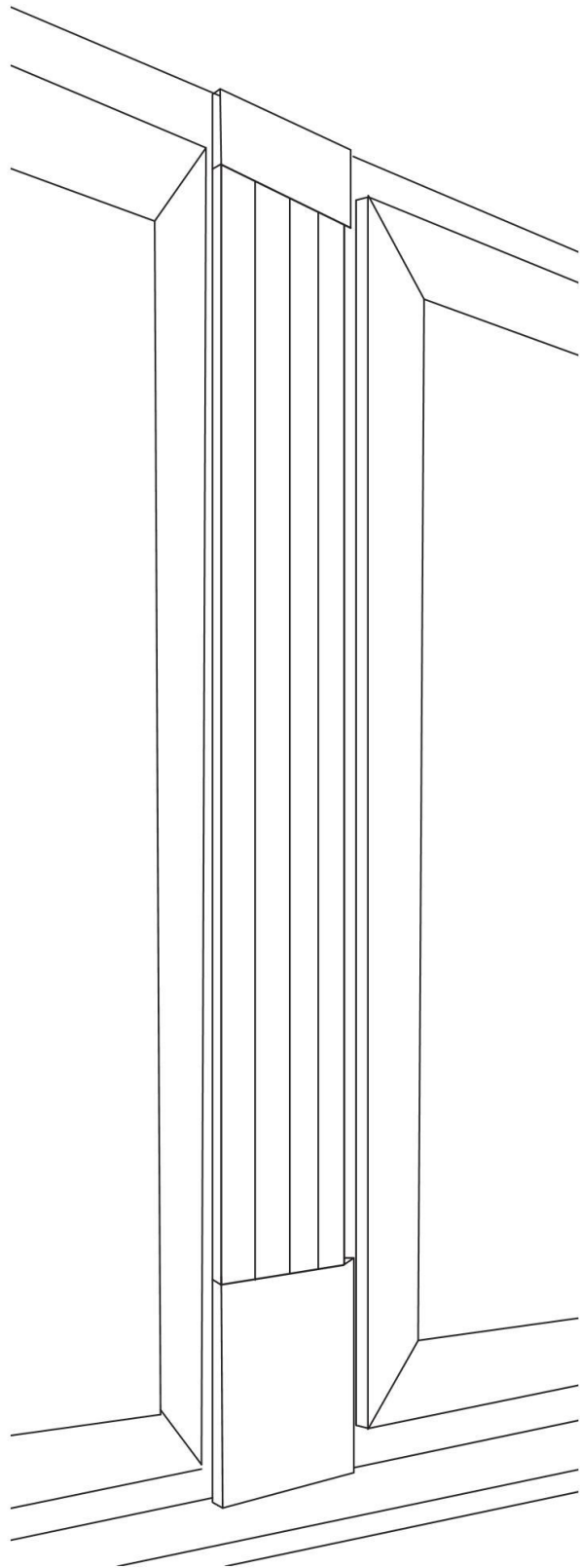
In-line Coupler R78115
see page 24 for further details



Decorative Trim



In-line Plinth

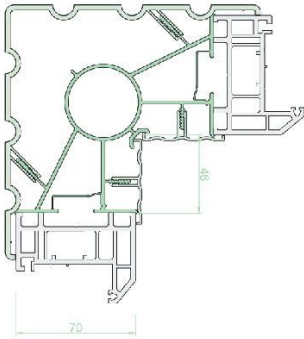


P

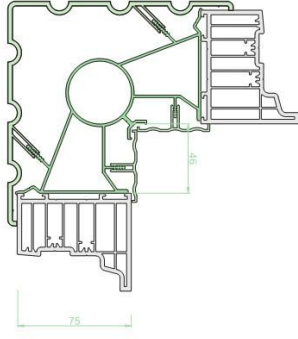
GET THE LOOK

90° Corner-post Pilaster and Plinth

PRODUCT	CORNERPOST LOOK
PART NO.	DESCRIPTION
WWL127	90° coupler for 70mm frames
R7108	90° coupler for 75-76mm frames
VS90	Fluted 90° external trim (foiled or un-foiled)
PILDT	Fluted internal Trim
WWL145	90° plinth available in heights of 75mm & 200mm (sprayed or foiled)



90° Coupler WWL127
see page 51 for
further details



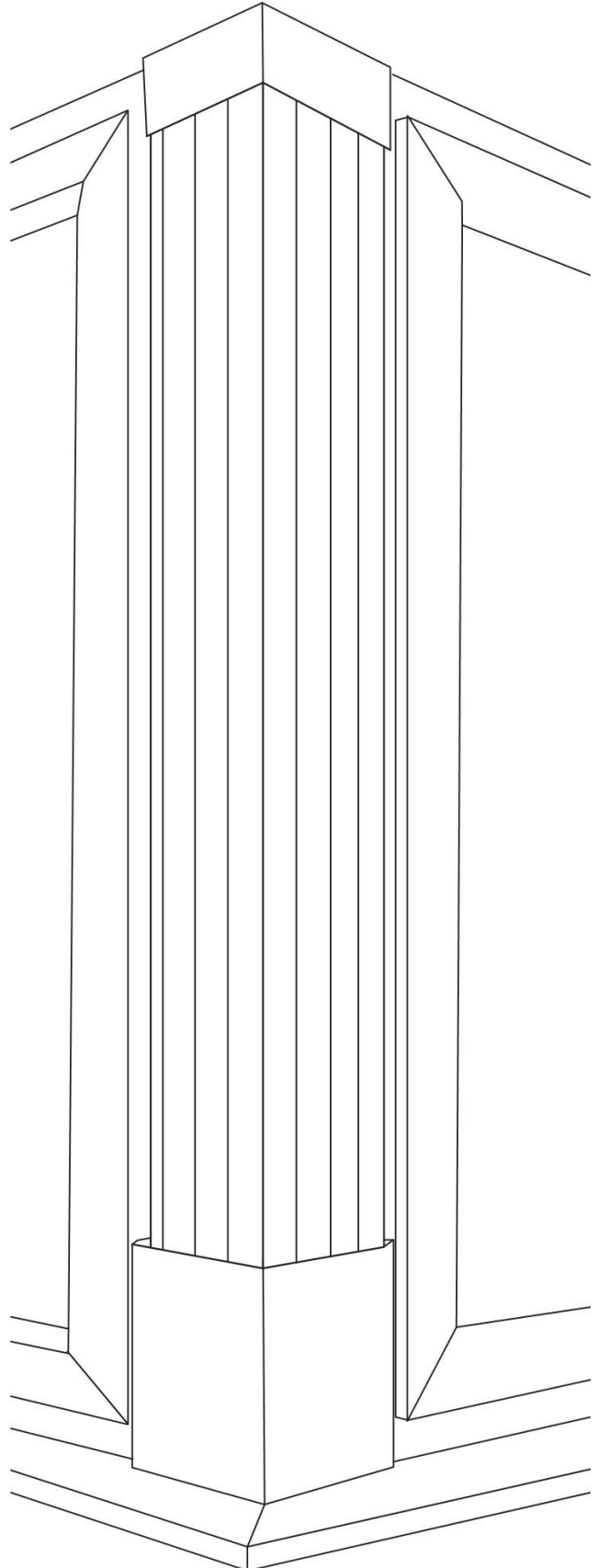
90° Coupler R7108
see page 53 for
further details



Decorative Trim



90° Plinth



M

Mighty Mullion

The mighty structural frame coupling range from Window Widgets.

Forces on a conservatory, screen wall or large bay are considerable and it takes clever engineering to overcome mother nature. In recent years we have seen more extreme weather: sunshine, snow, heavy rainfall and strong wind. Mighty Mullion is designed to resist these forces. Apart from stronger designs, with higher material content, Mighty Mullion addresses the racking phenomenon in a simple, but robust way. It also assists with resisting uplift and provides an important interface with the roof. Mighty Mullion is the future as applications get bigger, glass gets more widely used & more extreme weather becomes standard.



LOAD BEARING



RESISTS RACKING



ENABLES LONGER SPANS



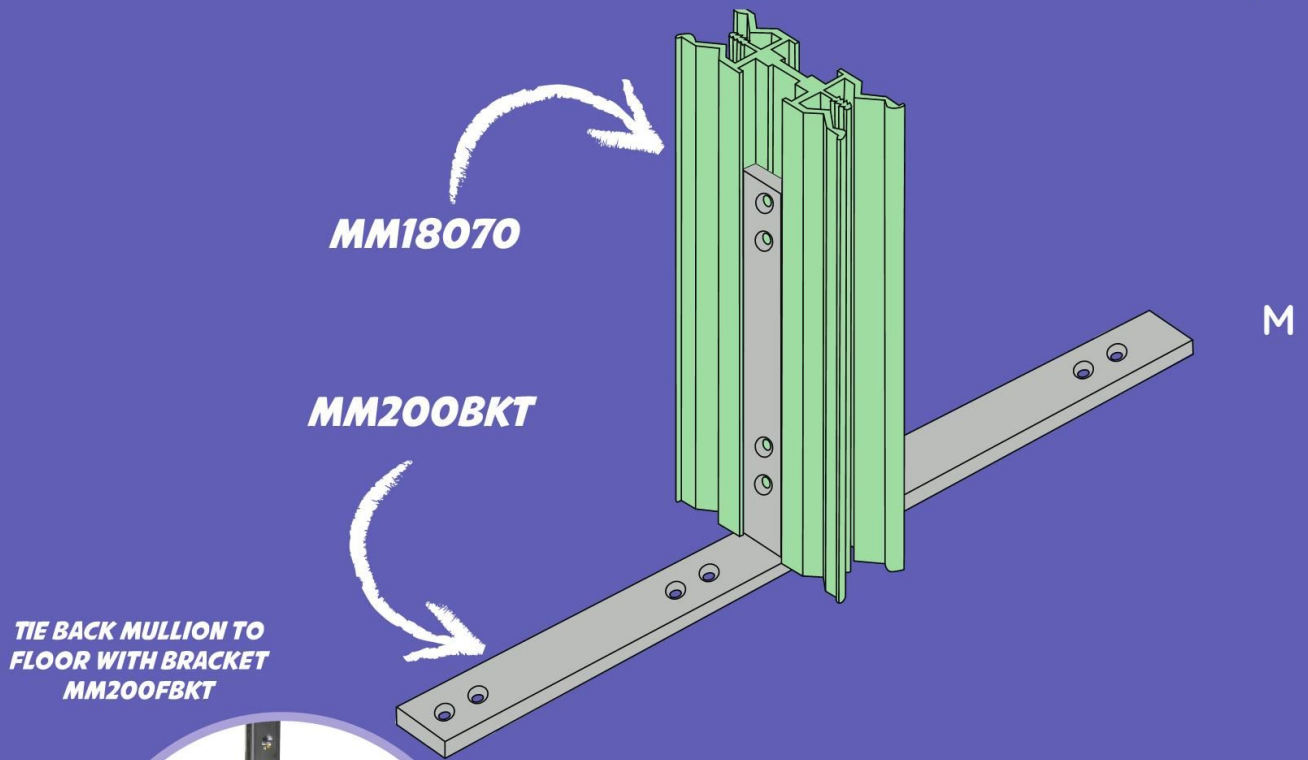
CE APPROVED



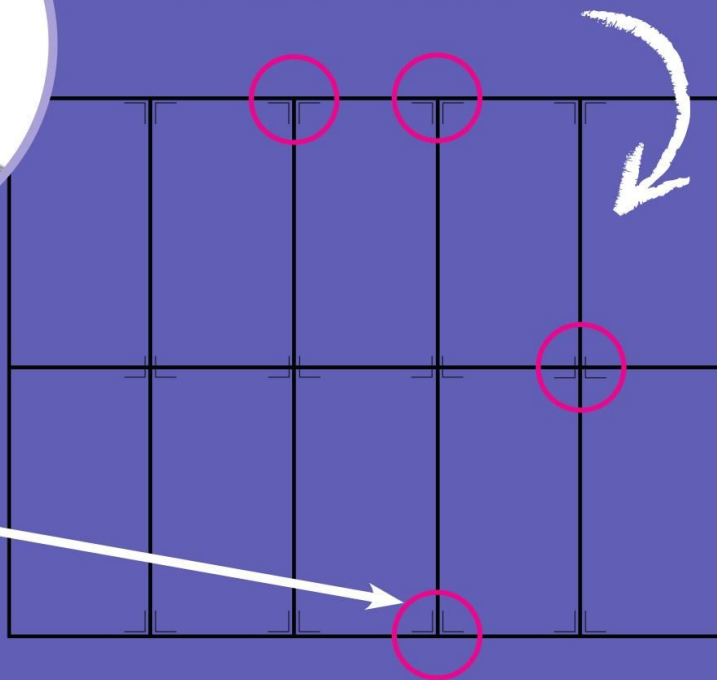
LARGE RANGE OF COLOURS



M MIGHTY MULLION



TYPICAL SCREEN WALL

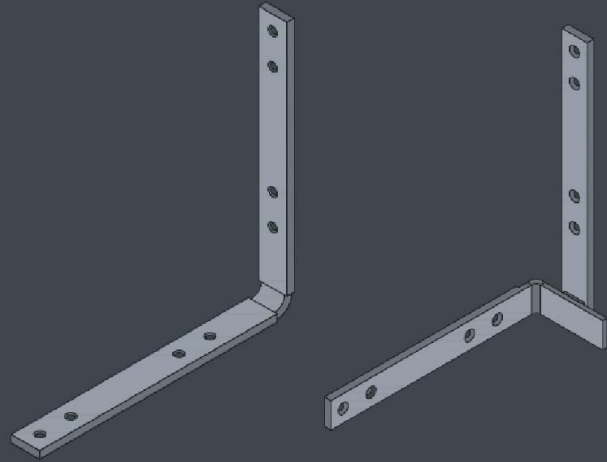


USE MM200BKT TO TIE MULLION BACK TO BUILDING AT HEAD AND CILL



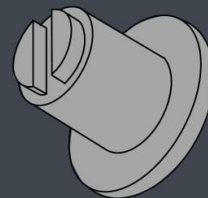
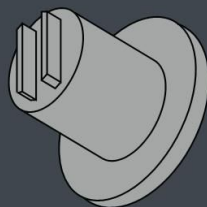
M MIGHTY MULLION

PRODUCT	BRACKETS AND JACKS
PART NO.	DESCRIPTION
MM200BKT	Stainless Steel Bracket (for cruciforms & fixing to base & head)
MM200FBKT	Tie-Back Mullion to Floor Bracket (left or right)
MMCLP180	Load-bearing Plug for MM18070
MMCLP180BKT	Load-bearing Plug for MM18070 with Brackets
JACK-7	Compatible with WWL146, R78115 and WWL127
JACK-22	Compatible with TC955ALI and MM9070



Stainless Steel Bracket

Tie-Back Mullion to Floor Bracket

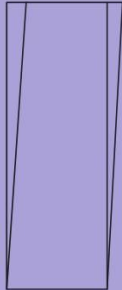


Both Plugs have a 35mm up-stand to deduct from your pole height

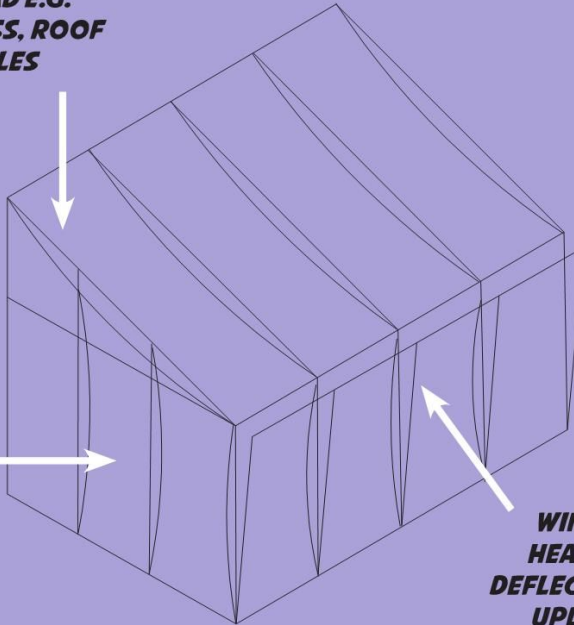
M MIGHTY MULLION

MIGHTY MULLION LEAVES CONSERVATORIES STANDING

RACKING

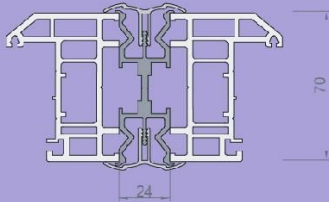


DEAD LOAD E.G. SNOW, GLASS, ROOF AND TILES

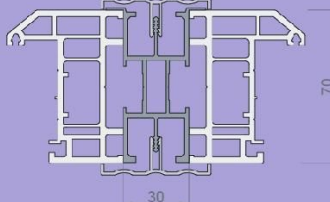


LATERAL WIND PRESSURE CAUSES RACKING & DEFLECTION OF MULLION AND UPLIFT ON ROOF

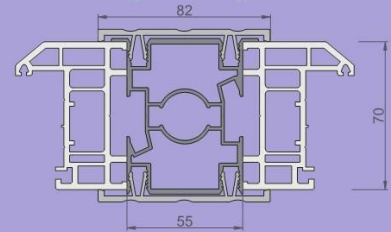
WIND PRESSURE HEAD-ON CAUSES DEFLECTED MULLIONS & UPLIFT ON ROOF



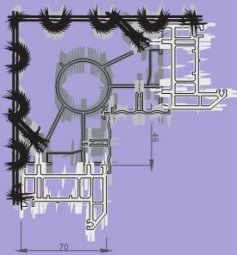
24mm Coupler
MM18070 - see page 18



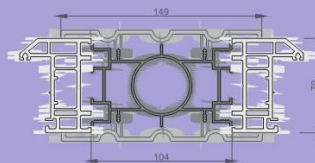
30mm Coupler
MM3070 - see page 20



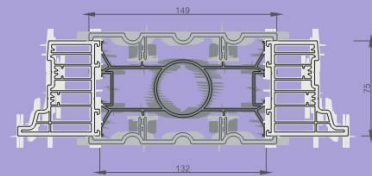
55mm Coupler
TC955ALI - see page 22



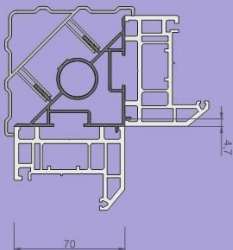
90° Corner-post
WWL127 - see page 51



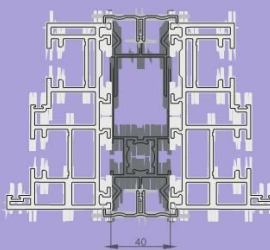
104mm Coupler
WWL146 - see page 23



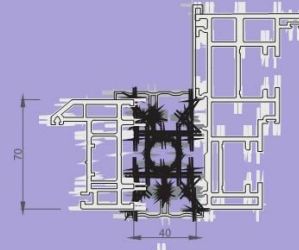
132mm Coupler
R78115 - see page 24



90° Corner-post
MM9070 - see page 50



40mm Vertical Slider
VSIC - see page 97



40mm Vertical Slider
VSDC - see page 98

Mb

Multi-beam

Multi-beam is a ring-beam to be fitted or retro-fitted to proprietary conservatory roof systems to increase strength, e.g. for bi-fold door openings.

Fits casements and VS Frames and is compatible with multiple roof systems. If you have a problem with an existing installation with 'bounce' you can retro-fit Multi-beam.

Other advantages include reduced sight-lines, increased head height, identical return sight-lines. and no need for add-ons above frames.



REDUCED SIGHT-LINES



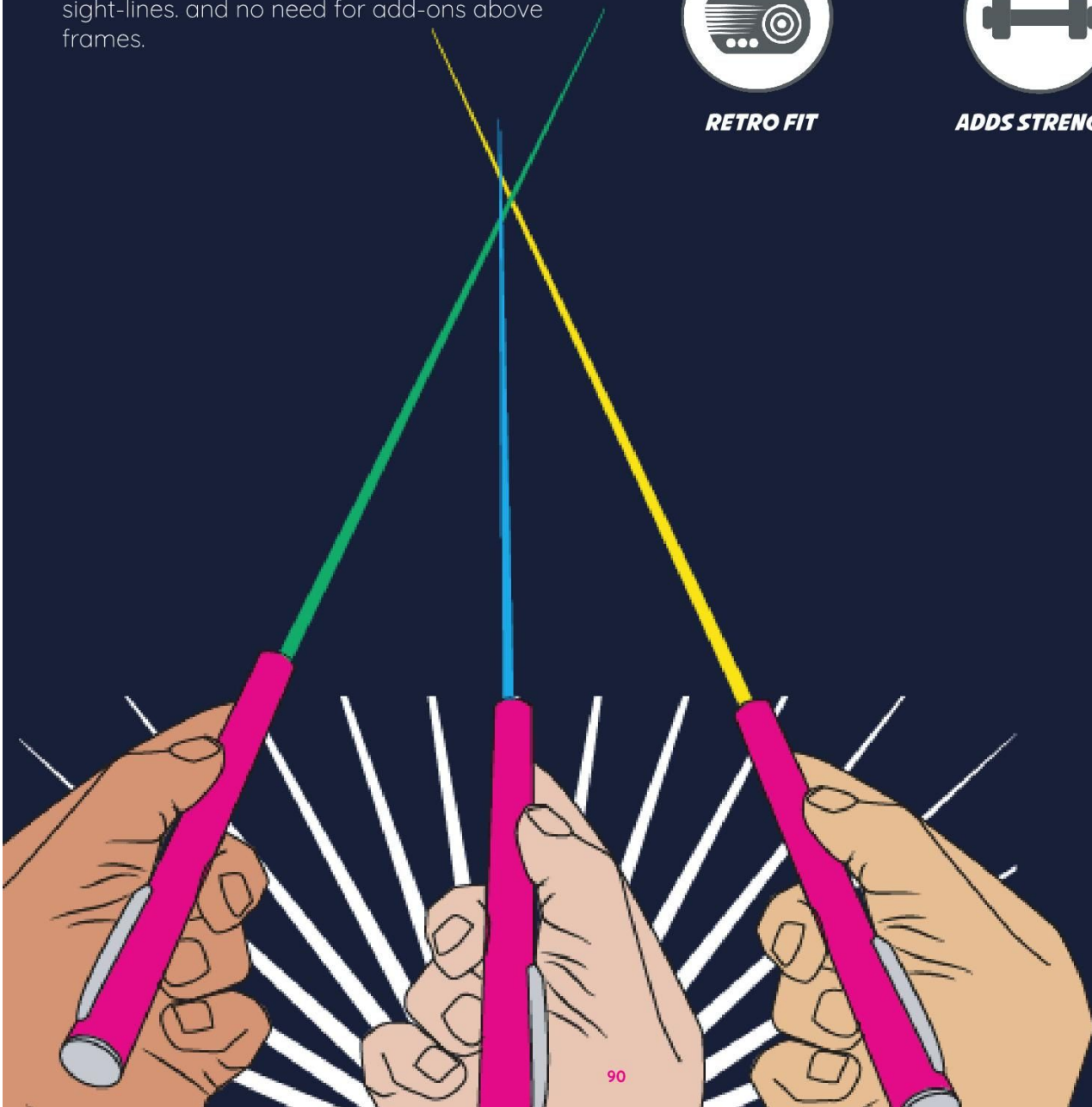
NO MORE ADD ONS



RETRO FIT

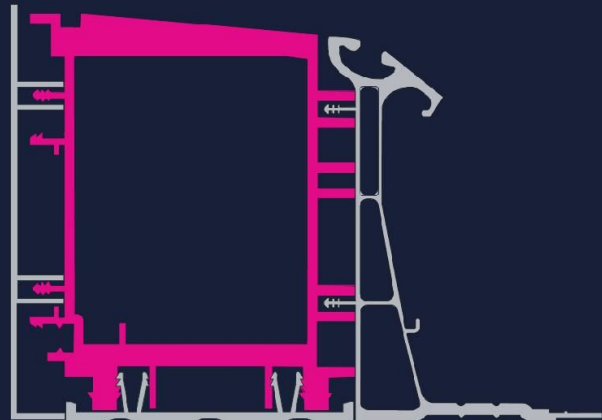


ADDS STRENGTH



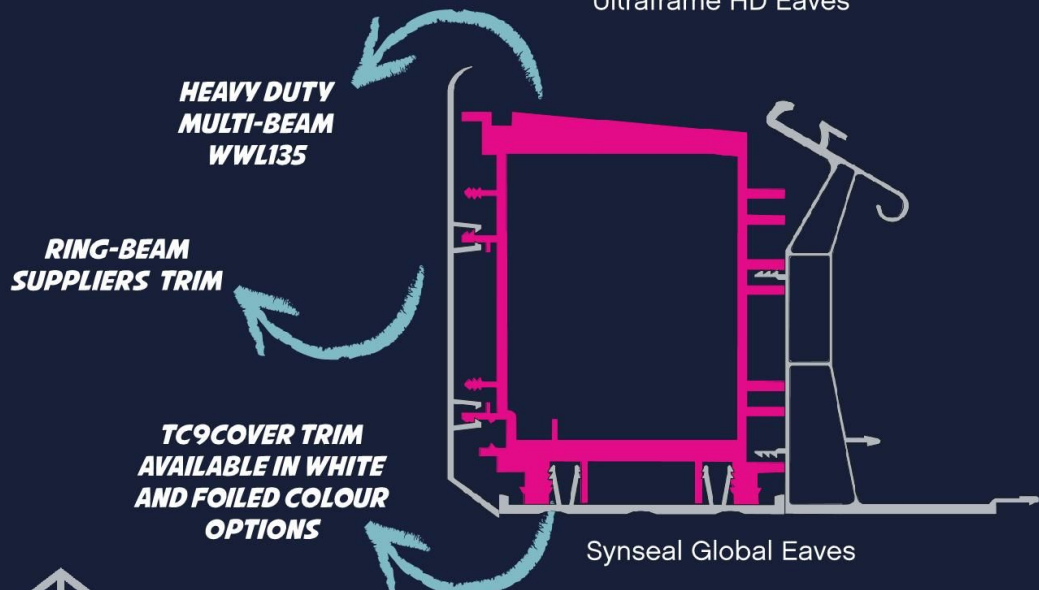
Mb MULTI-BEAM

PART NO.	DESCRIPTION
WWL135	Retro-fit Ring-beam Heavy Duty
TC9COVER	Tricube PVC Cover Trim (Un-foiled) Use bottom of Ring-beam
TC9COVER	Tricube PVC Cover Trim (Foiled) Use bottom of Ring-beam

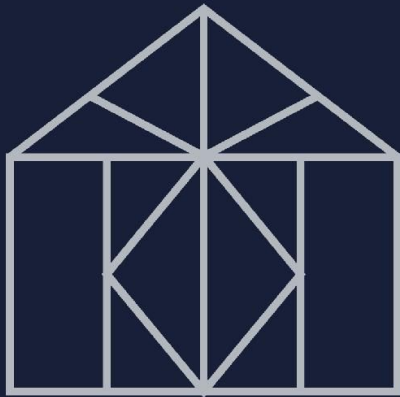


Ultraframe HD Eaves

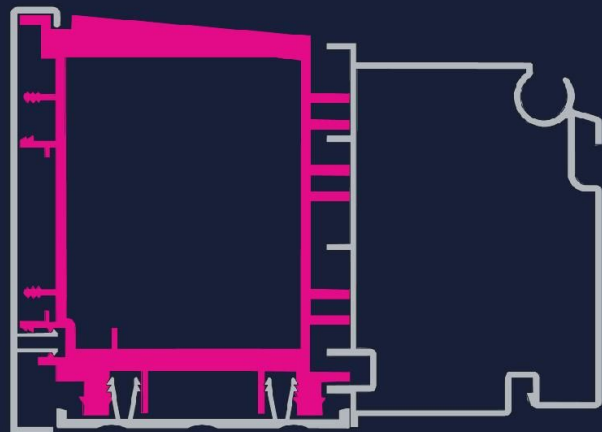
Mb



Synseal Global Eaves



Multi-beam can also be retro-fitted to gable ends of conservatories to reduce bounce and deflection.



Eurocell Eaves

Nc

Nicholls & Cooke

An adjustable structural baypole manufactured in galvanised steel BS EN 150 1461, giving 3.4 times the strength of aluminium.

Manufactured in three outside wall diameters: 38mm, 42mm and 48mm



GALVANISED STEEL



CAN TAKE UP TO 5 TONNES



ADJUSTABLE FEET



ANGLE 90° -180°



AVAILABLE IN 3 DIAMETERS

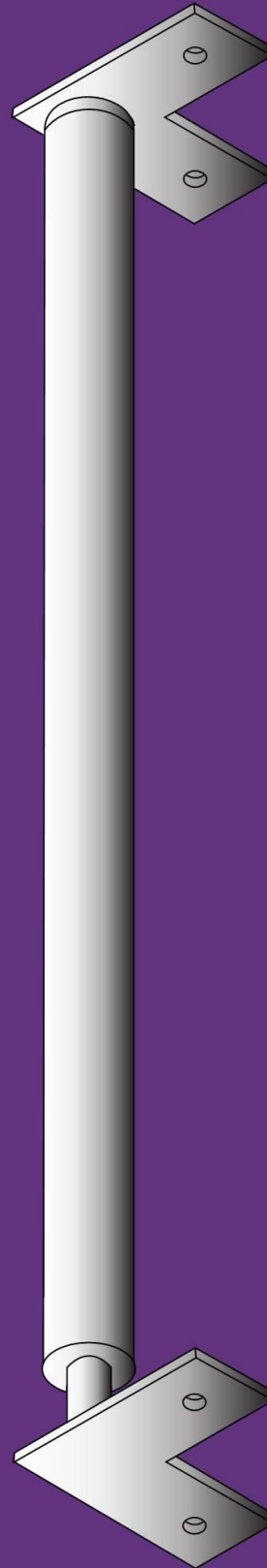
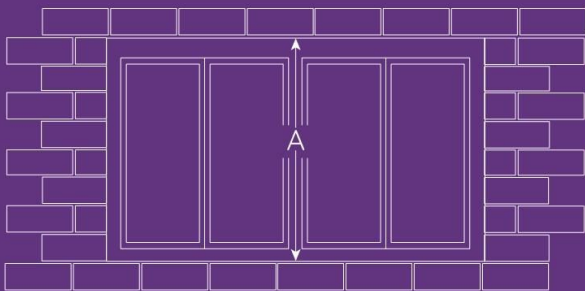


Nc NICHOLLS & COOKE

HEIGHT OF POLE	MAX. LOAD FOR STEEL POLES (kg)		
	38mm	42mm	48mm
1000	3500	5000	5000
1100	3500	5000	5000
1200	3500	5000	5000
1300	3000	4500	5000
1400	2500	4000	5000
1500	2000	3500	4500
1600	1500	3000	4000
1700	1000	2500	3500
1800	1000	2000	3000
1900	1000	2000	3000
2000	1000	2000	3000
2100	1000	2000	3000

Adjustable Baypole Ordering

- The quantity
- The height of A (under the cill to the head/brick to brick)
- The internal angle(s) of the bay B
- The pole size. Standard 38mm, 42mm or 48mm



Nc

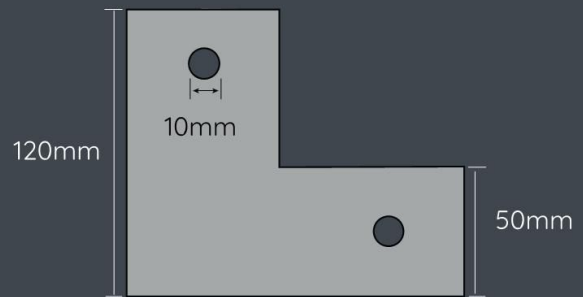
Nc NICHOLLS AND COOKE

Head and Base Plates (Feet)

The Nicholls and Cooke system is based on 5mm thick steel finished by electroplating.

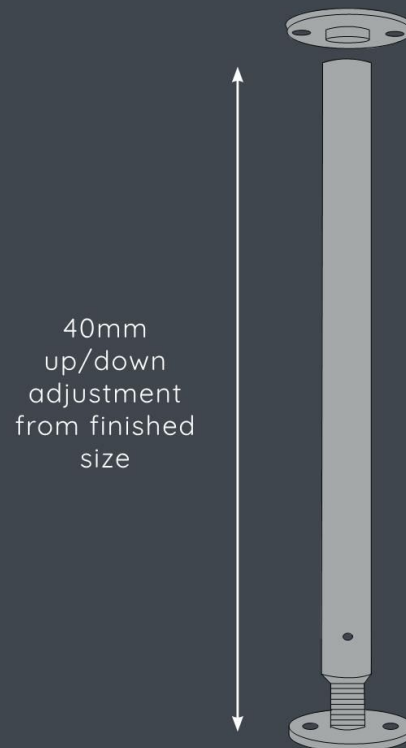
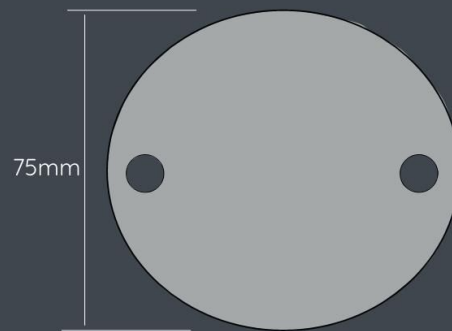
Each plate is drilled with two 10mm diameter holes for securing.

Standard plates are 50mm wide with a long edge of 120mm. This enables a large load spreading area of approx. 8500 sq.mm depending on internal angle of plate.

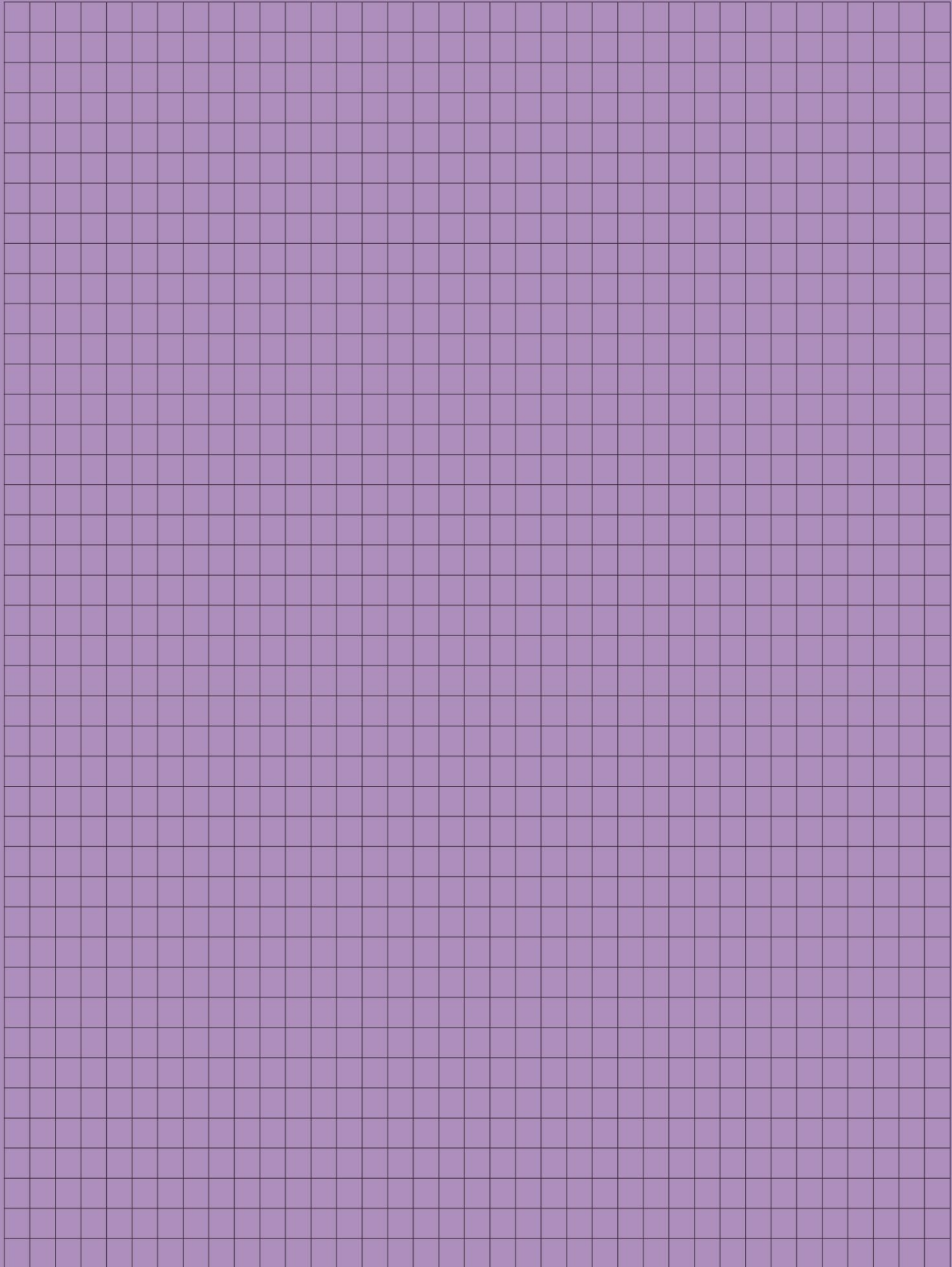


Off the Shelf Plate Options:

- All angles between 90° - 180°
- Square plates: 75mm, 100mm, 125mm and 150mm
- Offset 180° feet for doors etc.
- Cavity wall spreader plates (male and female fitting set in the centre of the cavity unless requested otherwise)



Nc **NOTES**



Vs

Vertical Sliders

This unique range allows you to make bays and orangeries from PVC sash windows.

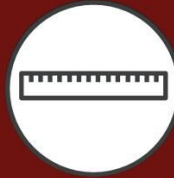
Used in conjunction with our Pilaster range, this can be particularly effective in recreating the Georgian look in a modern material.



LOAD BEARING



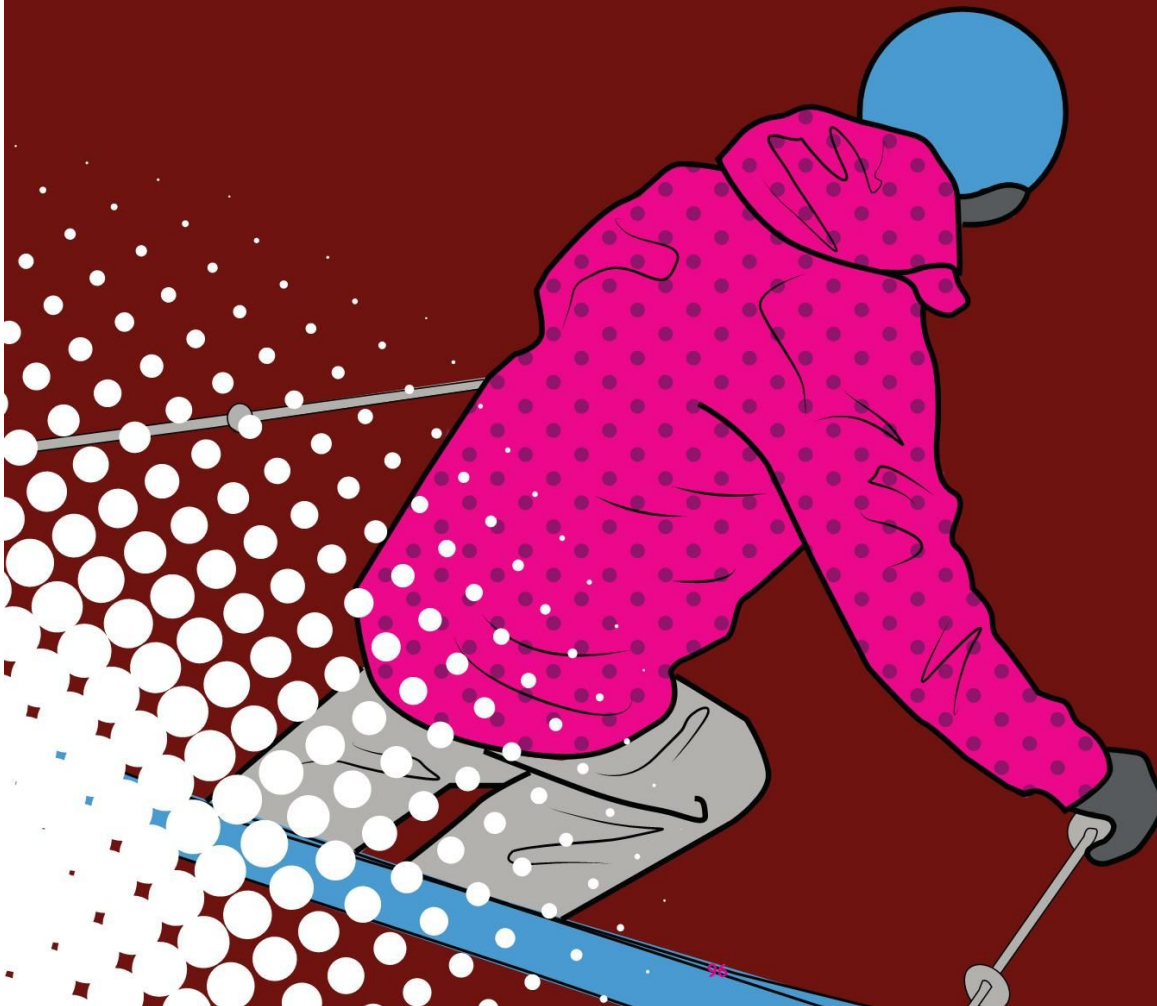
ANGLES



125 - 148MM FRAMES

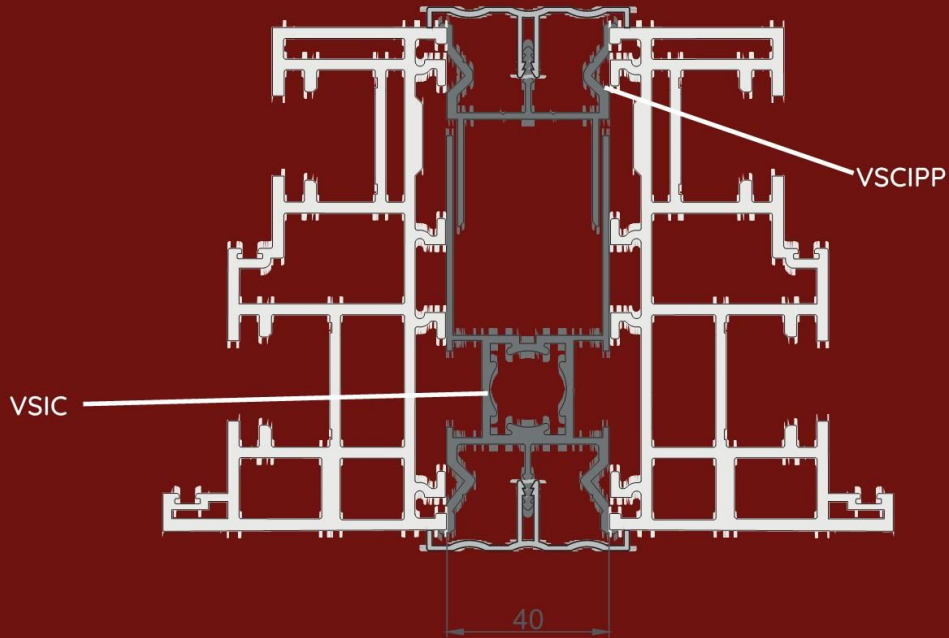


VS TO DOOR SOLUTION



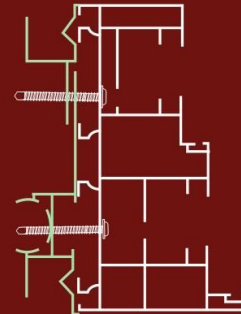
Vs VSIC+VSCIPP

These products can incorporate Brackets to make your coupler even more resilient - see pages 87+88 for information on Brackets.



Vs

NAME	VSIC+VSCIPP
IXX (cm⁴)	37.6
IYY (cm⁴)	12.8
FRAME DEDUCTION	20mm
EXTERNAL TRIM	PILDT
INTERNAL TRIM	PILDT
UN-FOILED	YES
FOILED	YES
LOAD PLUG	Available on request
BRACKETS	MM200BKT/ MM200FBKT



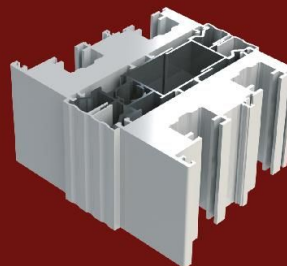
Screw from outside detail
Frames can be screw-fitted through the coupler into the frame before the trim is added. This allows pre-glazed frames to be installed.

**125
148**
mm

125-148
Frames

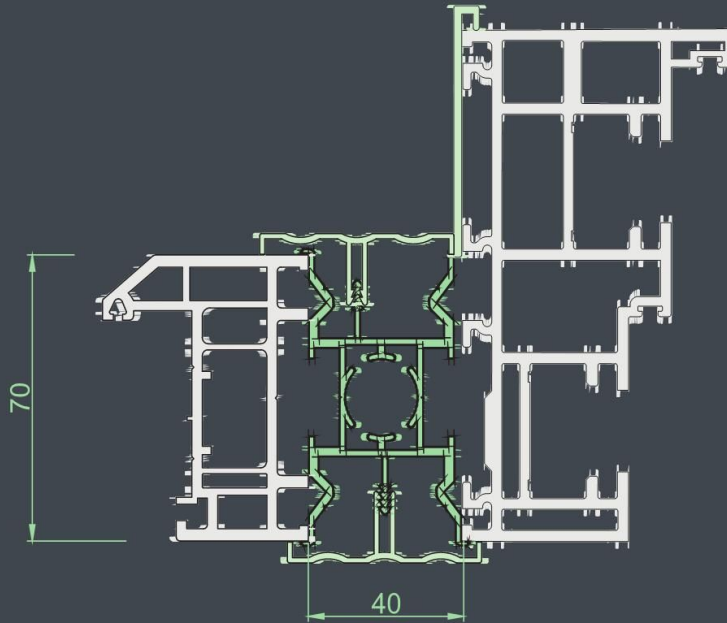
All our Jacks are tested to 9 Tonnes and are CE approved No. 0086-CPR-614908

HEIGHT	LOAD BEARING
900	Capped at 2 Tonnes
1200	
1500	
1800	
2100	
2400	

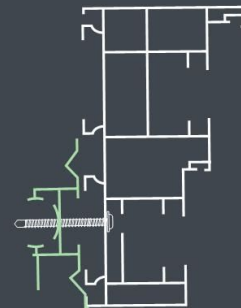


Vs VSDC

VS to 70mm Coupler (perfect for joining a 70mm door to a VS) up to 130mm. This product can incorporate Brackets to make your coupler even more resilient - see pages 87+88 for information on Brackets.



NAME	VSDC
IXX (cm⁴)	18.77
IYY (cm⁴)	9.22
FRAME DEDUCTION	20mm
EXTERNAL TRIM	PILDT
INTERNAL TRIM	PILDT
UN-FOILED	YES
FOILED	YES
LOAD PLUG	Available on request
BRACKETS	MM200BKT / MM200FBKT
REBATE COVER	R217



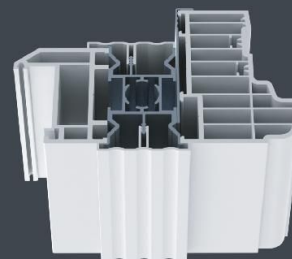
Screw from outside detail
Frames can be screw-fitted through the coupler into the frame before the trim is added. This allows pre-glazed frames to be installed.



125-148
Frame

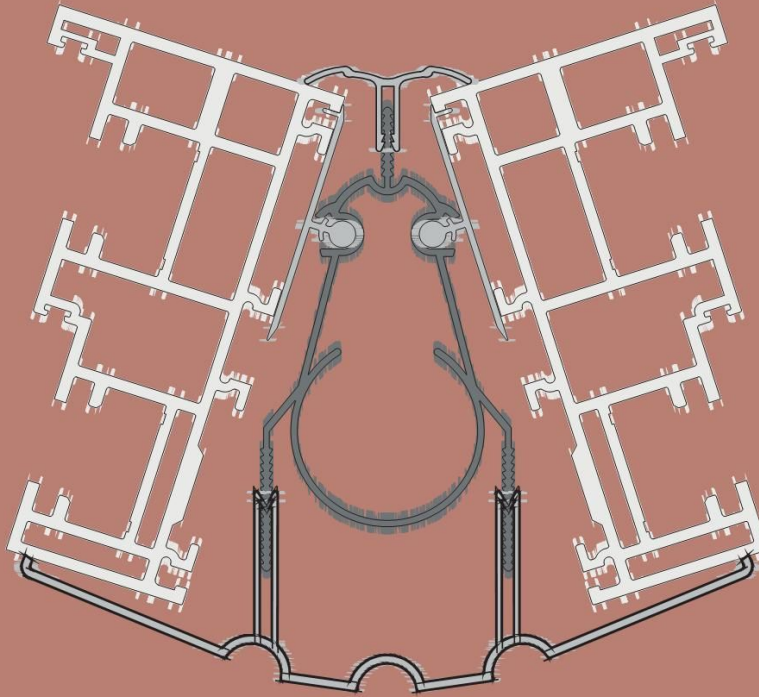
All our Jacks are tested to 9 Tonnes and are CE approved No. 0086-CPR-614908

HEIGHT	LOAD BEARING
900	Capped at 2 Tonnes
1200	
1500	
1800	
2100	
2400	1.8 Tonnes



Vs VSBAYPOLE

Variable angles for all frames 125-148mm.



NAME	VSBAYPOLE/VSBAYPOLE02
VS FRAME DEPTH	130mm - 148mm
VS2 FRAME DEPTH	125mm - 130mm
IXX (cm⁴)	53.39
IYY (cm⁴)	21.18
FRAME DEDUCTION	Varies - see website
EXTERNAL TRIM	VSO
INTERNAL TRIM	DBI/PILDT - see website
UN-FOILED	YES
FOILED	YES
JACK-ABLE	JACK-7
FRAME ADAPTERS	See page 43



Screw from outside detail
Frames can be screw-fitted through the coupler into the frame before the trim is added. This allows pre-glazed frames to be installed.



125-148
Frame



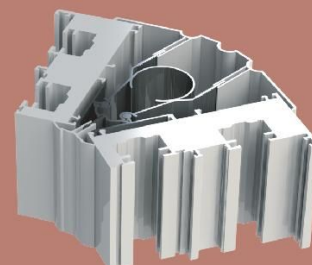
Jack-able
System



DBI/PILDT

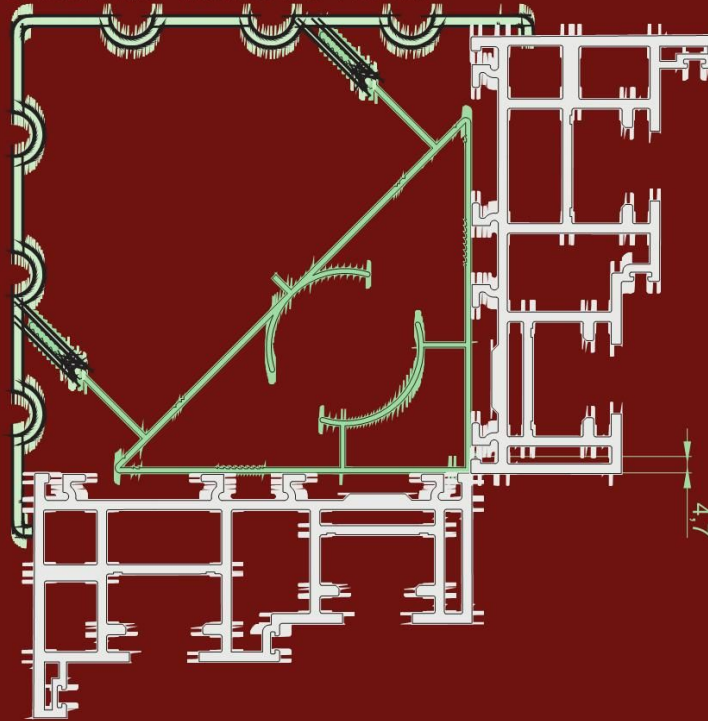
All our Jacks are tested to 9 Tonnes and are CE approved No. 0086-CPR-614908

HEIGHT	LOAD BEARING
900	Capped at 2 Tonnes
1200	
1500	
1800	
2100	
2400	

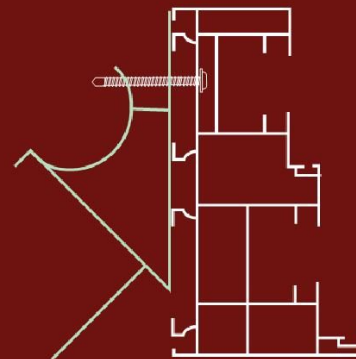


Vs VS90ALI

90° corner post for vertical slider frames 125-148mm.



NAME	VS90ALI
IXX (cm⁴)	143.00
IYY (cm⁴)	69.47
FRAME DEDUCTION	0
EXTERNAL TRIM	VS90
INTERNAL TRIM	N/A
UN-FOILED	YES
FOILED	YES
JACK-ABLE	JACK-7



Screw from outside detail
Frames can be screw-fitted through the coupler into the frame before the trim is added. This allows pre-glazed frames to be installed.



125-148
Frame



Jack-able
System

All our Jacks are tested to 9 Tonnes and are CE approved No. 0086-CPR-614908

HEIGHT	LOAD BEARING
900	Capped at 2 Tonnes
1200	
1500	
1800	
2100	
2400	



As

Ali Solutions

A solution for bays and couplers for aluminium window and door systems, accommodating 58mm - 76mm frames.

There's a variety of in-line couplers, variable baypoles, fixed baypoles and cornerposts to ensure you can offer aluminium windows and doors to all properties. Many of our solutions are load bearing and accommodate a jack, choose a Window Widgets jack to ensure you are fully CE Mark compliant. Lead time & additional technical information can be found on our website www.windowwidgets.co.uk



ANGLES



ALUMINIUM SYSTEMS



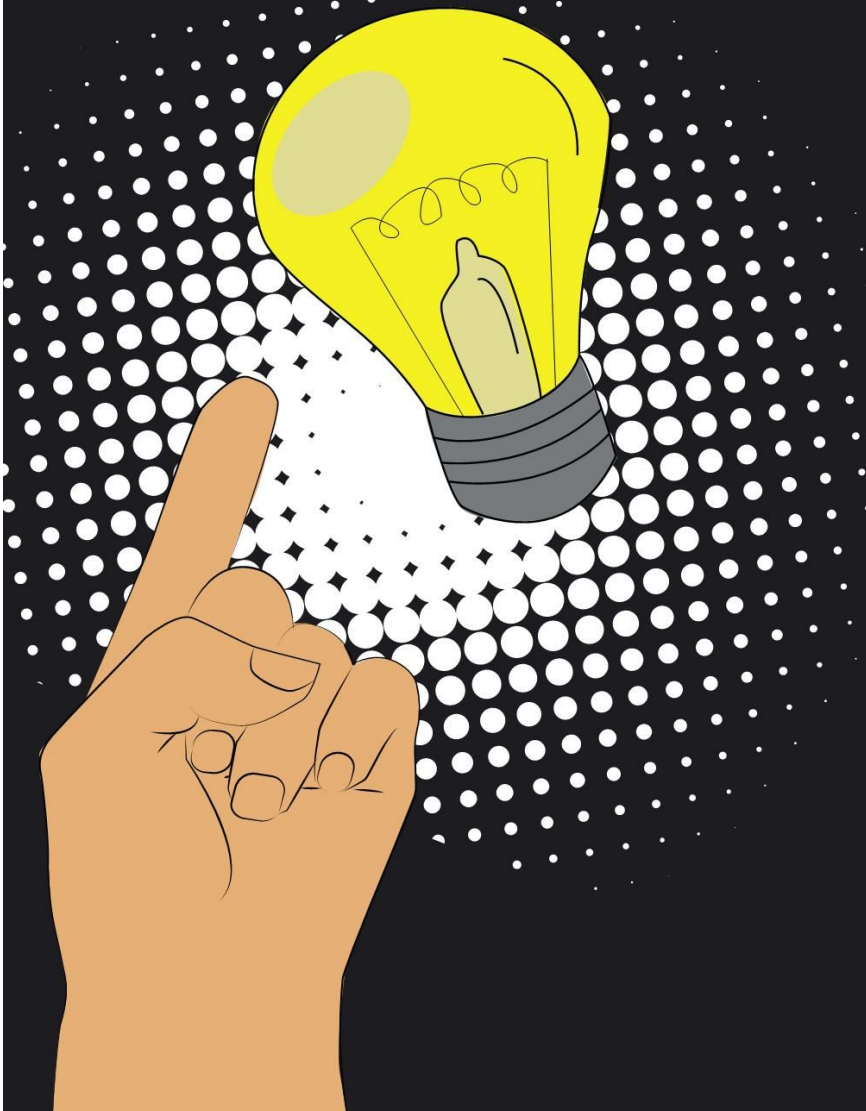
MULTI USE



LOAD BEARING

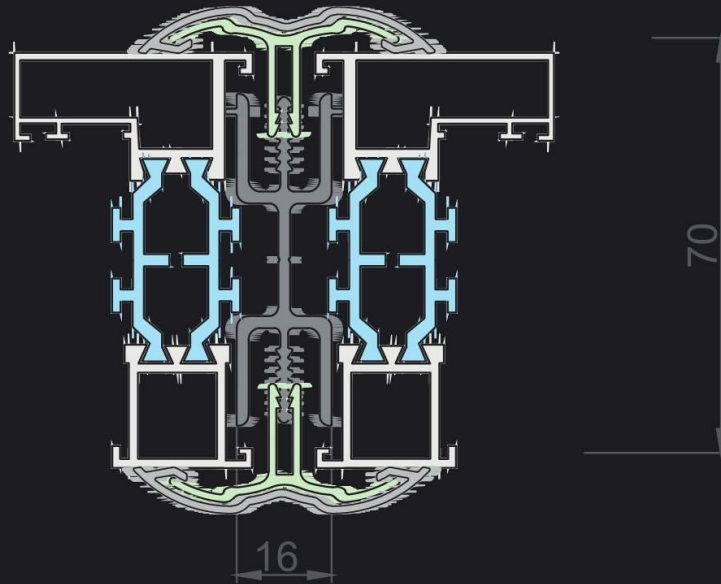


LARGE RANGE



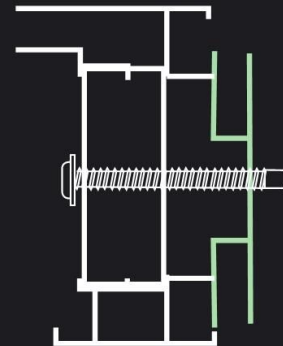
As 482029

16mm coupler suitable for 58-70mm frames.



As

NAME	482029
IXX (cm ⁴)	8.85
IYY (cm ⁴)	0.80
FRAME DEDUCTION	9mm
FINISH	MILL FINISH
EXTERNAL TRIM	DBI
INTERNAL TRIM	DBI
INTERNAL ALI TRIM	WWL162
EXTERNAL ALI TRIM	WWL162
JACK-ABLE	N/A



Screw from outside detail.
Frames can be screw-fitted through the coupler into the frame before the trim is added. This allows pre-glazed frames to be installed.



Universal
Product



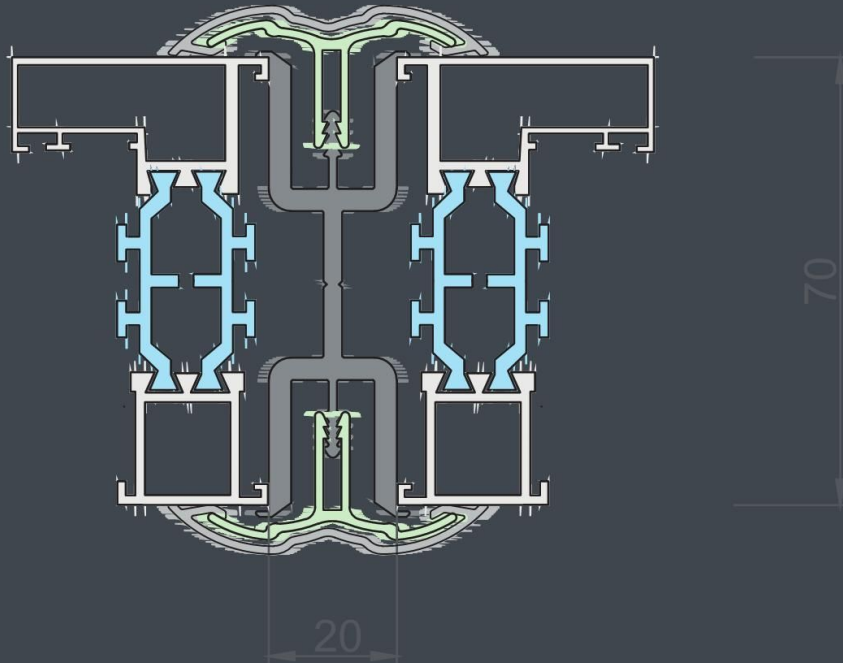
58/60mm
System



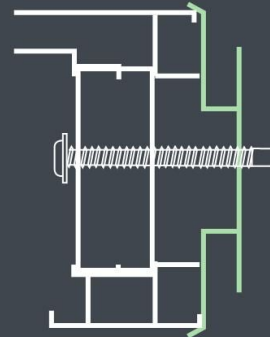
70mm
System

As WWL106

20mm coupler for 70mm frames.



NAME	WWL106
IXX (cm ⁴)	24.5
IYY (cm ⁴)	2.4
FRAME DEDUCTION	10mm
FINISH	MILL FINISH
EXTERNAL TRIM	DBI
INTERNAL TRIM	DBI
EXTERNAL ALI TRIM	WWL162
INTERNAL ALI TRIM	WWL162
JACK-ABLE	N/A



Screw from outside detail.
Frames can be screw-fitted through the coupler into the frame before the trim is added. This allows pre-glazed frames to be installed.



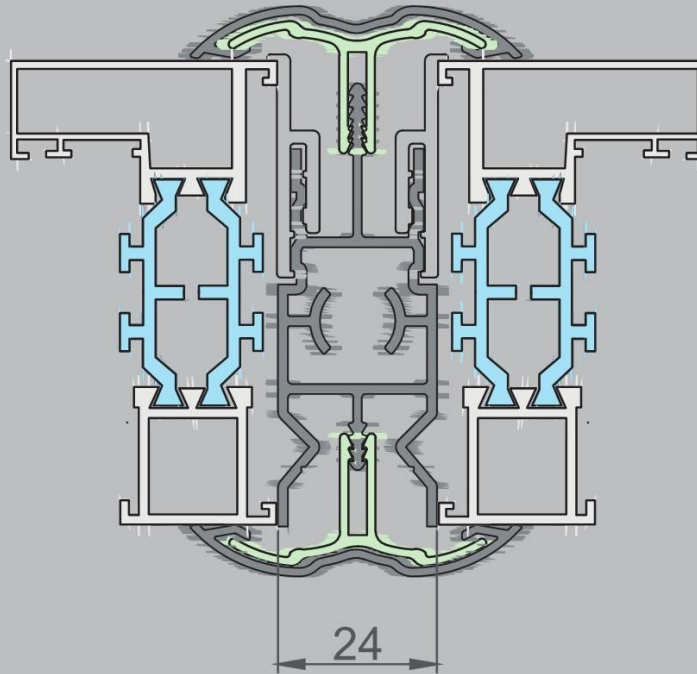
Universal
Product



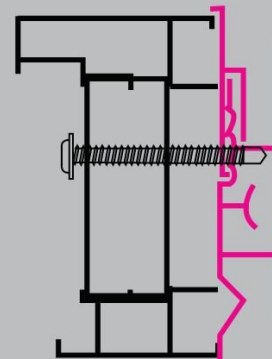
70mm
System

As WWL164

24mm thermally broken in-line coupler suitable for 70mm-76mm frames.



NAME	WWL164
IXX (cm⁴)	9.20
IYY (cm⁴)	2.28
FRAME DEDUCTION	12mm
FINISH	MILL FINISH
EXTERNAL TRIM	DBI
INTERNAL TRIM	DBI
EXTERNAL ALI TRIM	WWL162
INTERNAL ALI TRIM	WWL162
JACK-ABLE	JACK-19
THERMAL BREAK	TB163



Screw from outside detail.
Frames can be screw-fitted through the coupler into the frame before the trim is added. This allows pre-glazed frames to be installed.



Universal Product



Jack-able System



70mm System



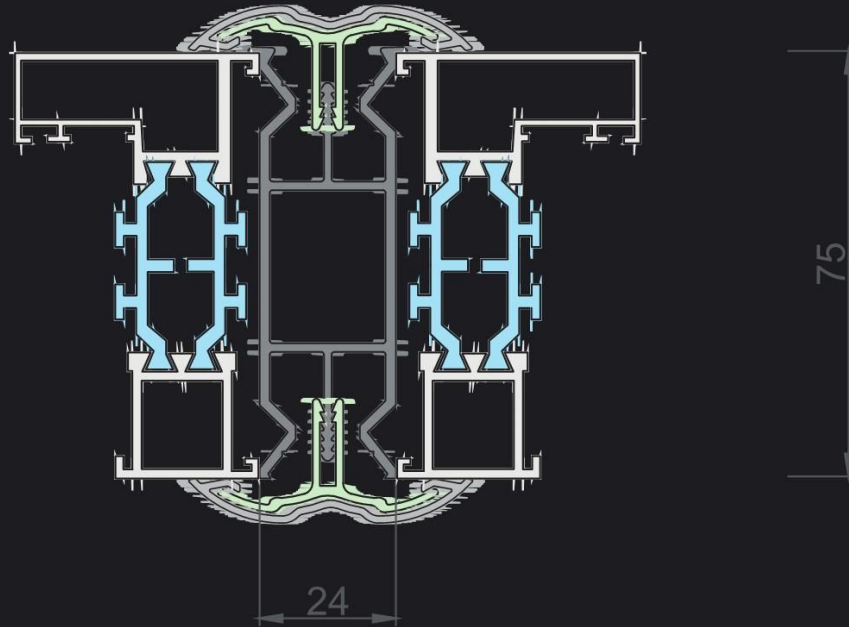
75/76mm System

All our Jacks are tested to 9 Tonnes and are CE approved No. 0086-CPR-614908

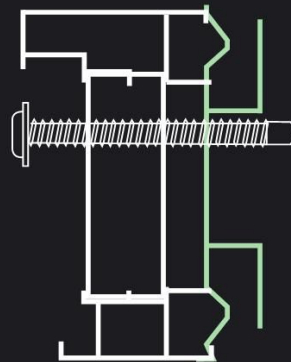
HEIGHT	LOAD BEARING
900	2 Tonnes
1200	2 Tonnes
1500	2 Tonnes
1800	1.8 Tonnes
2100	1.2 Tonnes
2400	1 Tonne

As R7107

24mm jack-able coupler suitable for 75-76mm frames.



NAME	R7107
IXX (cm⁴)	21.20
IYY (cm⁴)	3.45
FRAME DEDUCTION	12mm
FINISH	MILL FINISH
EXTERNAL TRIM	DBI
INTERNAL TRIM	DBI
EXTERNAL ALI TRIM	WWL162
INTERNAL ALI TRIM	WWL162
JACK-ABLE	JACK-11



Screw from outside detail.
Frames can be screw-fitted through the coupler into the frame before the trim is added. This allows pre-glazed frames to be installed.



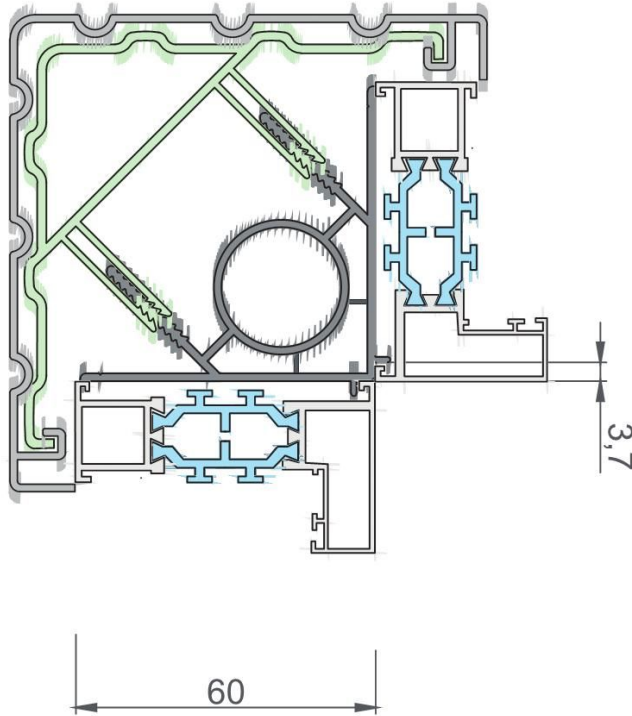
Universal Product Jack-able System 75/76mm System

All our Jacks are tested to 9 Tonnes and are CE approved No. 0086-CPR-614908

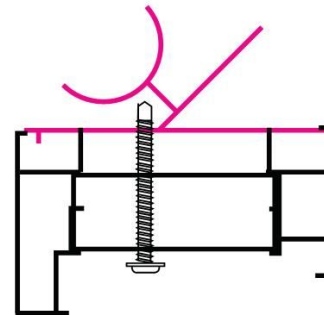
HEIGHT	LOAD BEARING
900	Capped at 2 Tonnes
1200	
1500	
1800	
2100	
2400	

As WWL142

Fixed 90° cornerpost for 58-60mm frames.



NAME	WWL142
IXX (cm⁴)	7.08
IYY (cm⁴)	17.00
FRAME DEDUCTION	0
FINISH	MILL FINISH
EXTERNAL TRIM	90
INTERNAL TRIM	N/A
EXTERNAL ALI TRIM	WWL160
INTERNAL ALI TRIM	N/A
JACK-ABLE	JACK-18



Screw from outside detail.
Frames can be screw-fitted through the coupler into the frame before the trim is added. This allows pre-glazed frames to be installed.



Universal Product



Jack-able System



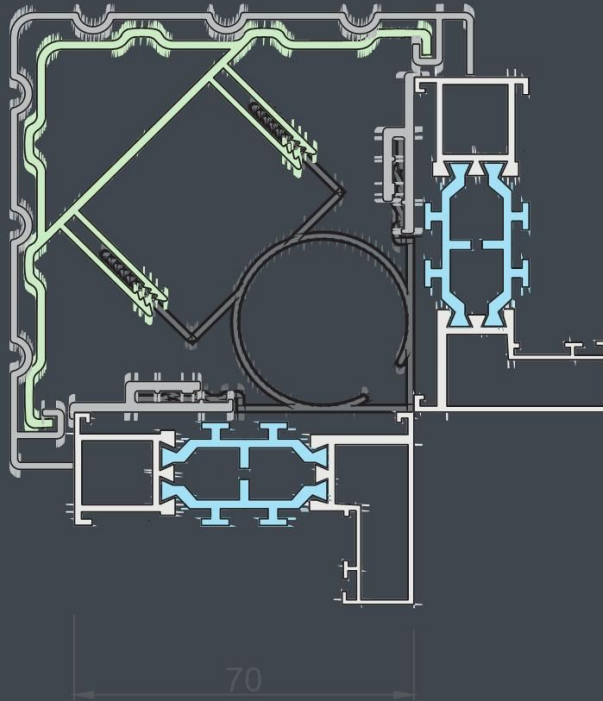
58/60mm System

All our Jacks are tested to 9 Tonnes and are CE approved No. 0086-CPR-614908

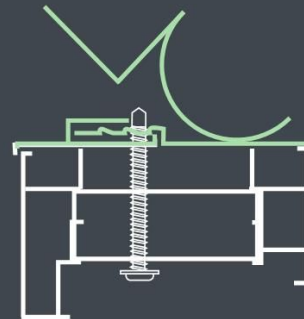
HEIGHT	LOAD BEARING
900	Capped at 2 Tonnes
1200	
1500	
1800	
2100	
2400	1.8 Tonnes

As WWL163

Fixed 90° thermally broken cornerpost for 70mm frames.



NAME	WWL163
IXX (cm⁴)	16.78
IYY (cm⁴)	12.41
FRAME DEDUCTION	0
FINISH	MILL FINISH
EXTERNAL TRIM	90
INTERNAL TRIM	N/A
EXTERNAL ALI TRIM	WWL160
INTERNAL ALI TRIM	N/A
JACK-ABLE	JACK-3
THERMAL BREAK	TB163



Screw from outside detail.
Frames can be screw-fitted through the coupler into the frame before the trim is added. This allows pre-glazed frames to be installed.



Universal Product



Jack-able System



70mm System



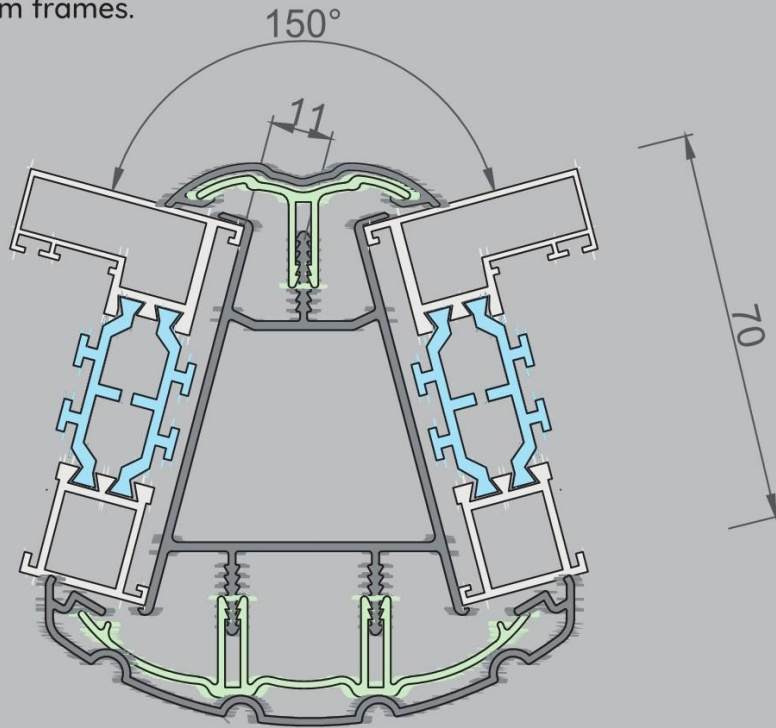
75/76mm System

All our Jacks are tested to 9 Tonnes and are CE approved No. 0086-CPR-614908

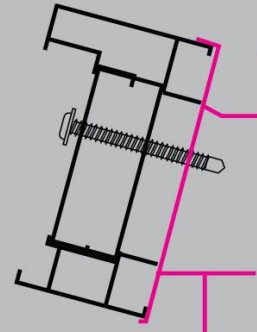
HEIGHT	LOAD BEARING
900	Capped at 2 Tonnes
1200	
1500	
1800	
2100	
2400	1.8 Tonnes

As 482027

Fixed 150° angle for 70mm frames.



NAME	482027
IXX (cm⁴)	23.36
IYY (cm⁴)	12.26
FRAME DEDUCTION	11mm
FINISH	MILL FINISH
EXTERNAL PVC TRIM	DBO
INTERNAL PVC TRIM	DBI
EXTERNAL ALI TRIM	WWL161
INTERNAL ALI TRIM	WWL162
JACK-ABLE	JACK-35



Screw from outside detail.
Frames can be screw-fitted through the coupler into the frame before the trim is added. This allows pre-glazed frames to be installed.



Universal Product



Jack-able System



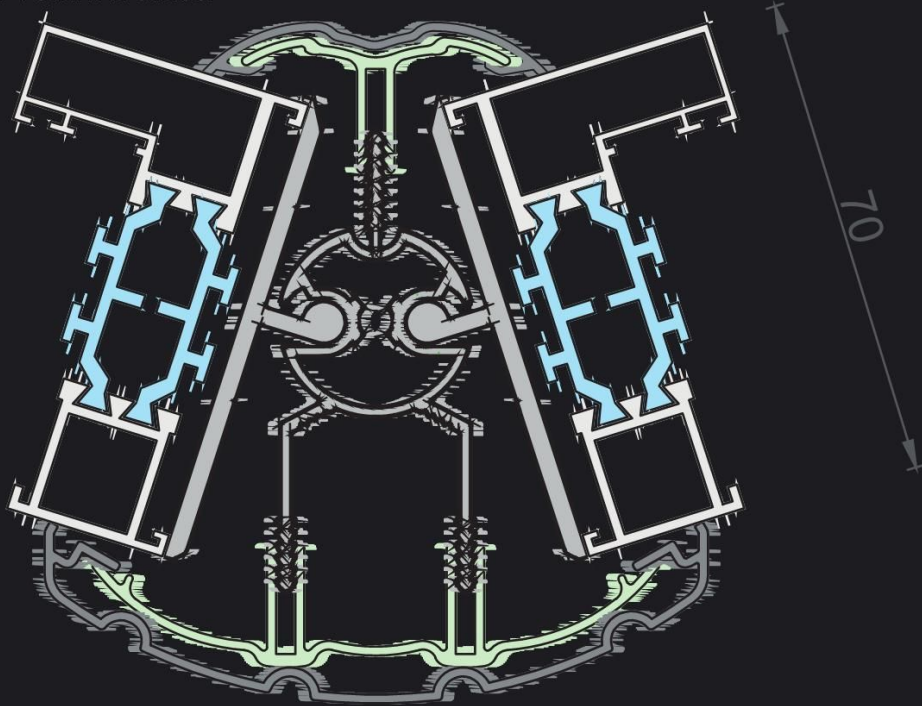
70mm System

All our Jacks are tested to 9 Tonnes and are CE approved No. 0086-CPR-614908

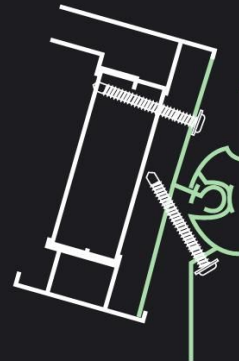
HEIGHT	LOAD BEARING
900	Capped at 2 Tonnes
1200	
1500	
1800	
2100	
2400	

As 482055

Variable angles for 70mm frames.



NAME	482055
IXX (cm⁴)	8.2
IYY (cm⁴)	2.9
FRAME DEDUCTION	Varies - see website
FINISH	MILL FINISH
EXTERNAL TRIM	DBO
INTERNAL TRIM	DBI
EXTERNAL ALI TRIM	WWL161
INTERNAL ALI TRIM	WWL162
JACK-ABLE	JACK-19
FRAME ADAPTERS	TB164



Screw from outside detail.
Frames can be screw-fitted through the coupler into the frame before the trim is added. This allows pre-glazed frames to be installed.



Universal Product



Jack-able System



70mm System

All our Jacks are tested to 9 Tonnes and are CE approved No. 0086-CPR-614908

HEIGHT	LOAD BEARING
900	2 Tonnes
1200	2 Tonnes
1500	1.9 Tonnes
1800	1.7 Tonnes
2100	1.4 Tonnes
2400	0.9 Tonnes



Werbar

Your best friend! Very generous wall thicknesses that achieve a superior screw retention compared to others. It can also assist in gaining better WER & U-Values due to it's thermal advantages over steel or aluminium.

Cheaper than steel or aluminium, you can also use PVC screws, saving you money on screws too! It's lighter to handle and can be cut on a normal PVC saw. Made from recycled material, it's doing it's bit for the environment and can enhance your companies green credentials!

Overlay your profile on the 'to scale' images to see which is the best fit.



RECYCLED MATERIAL



**IMPROVES WER
REDUCES U-VALUES**



**INCREASES PROFILE
CHAMBERS**



**IMPROVED SCREW
RETENTION**



CHEAPER THAN STEEL

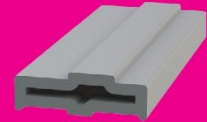
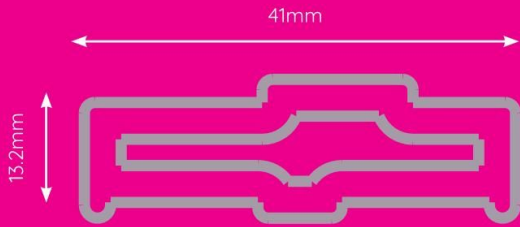


LIGHTER THAN STEEL

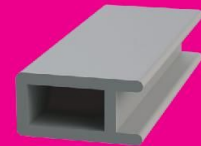
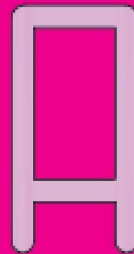
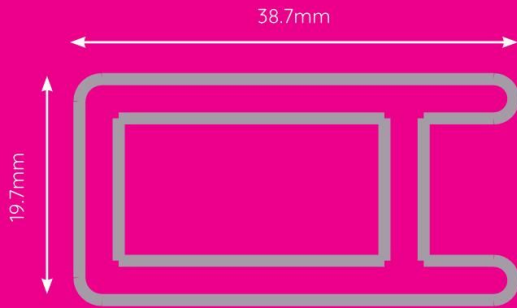


W WERBAR

PRODUCT CODE WERB001 TO SCALE

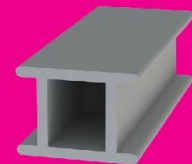
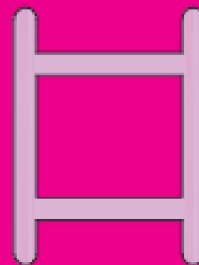
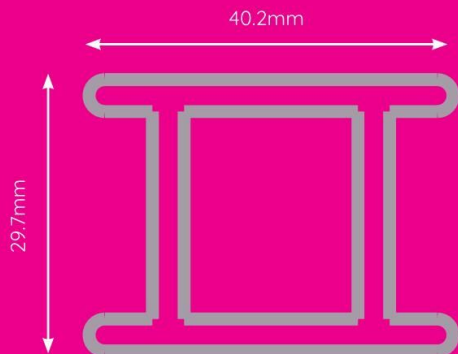


PRODUCT CODE WERB002 TO SCALE



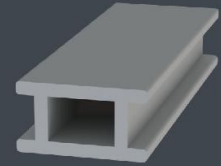
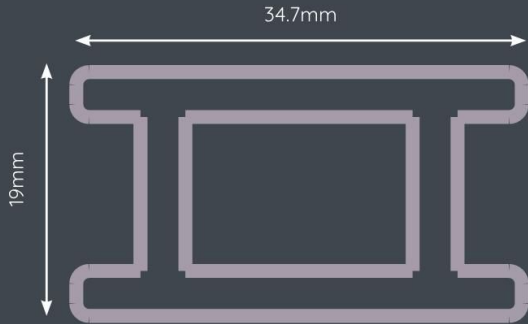
W

PRODUCT CODE WERB003 TO SCALE

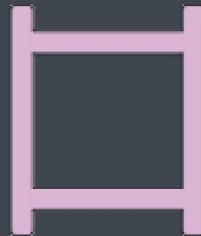
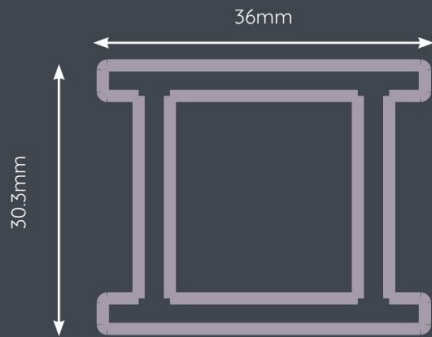


W WERBAR

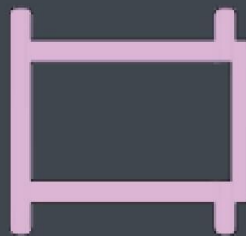
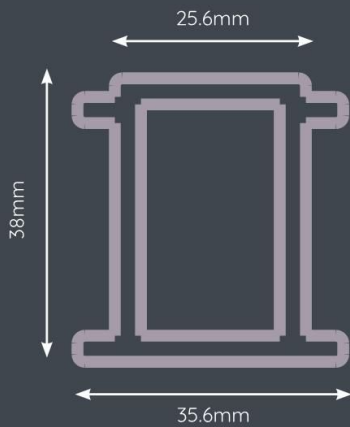
PRODUCT CODE WERB007 TO SCALE



PRODUCT CODE WERB008 TO SCALE

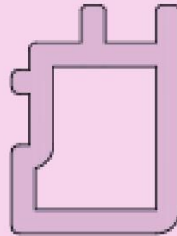
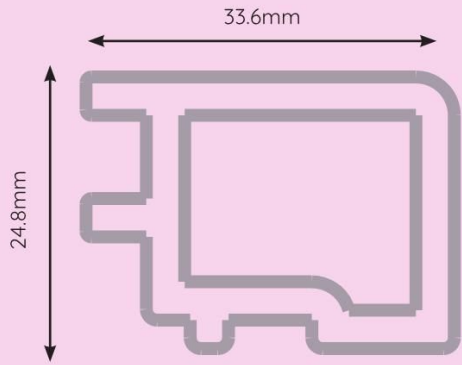


PRODUCT CODE WERB009 TO SCALE

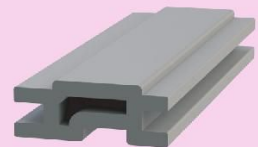
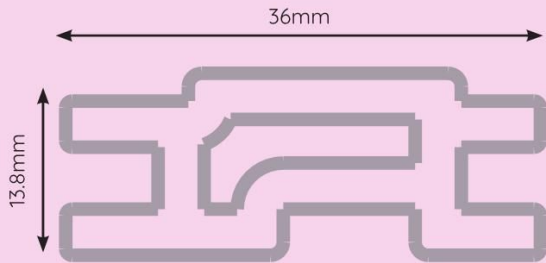


W WERBAR

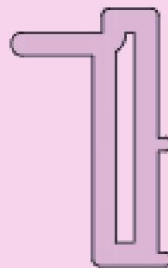
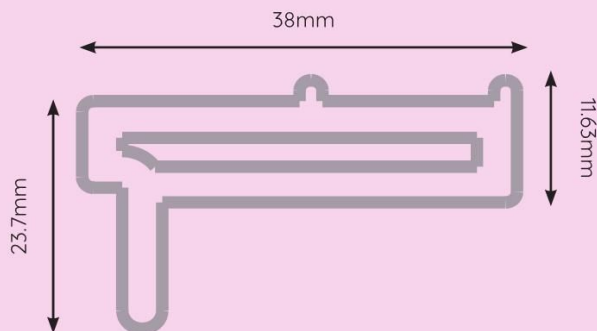
PRODUCT CODE WERB011 **TO SCALE**



PRODUCT CODE WERB013 **TO SCALE**

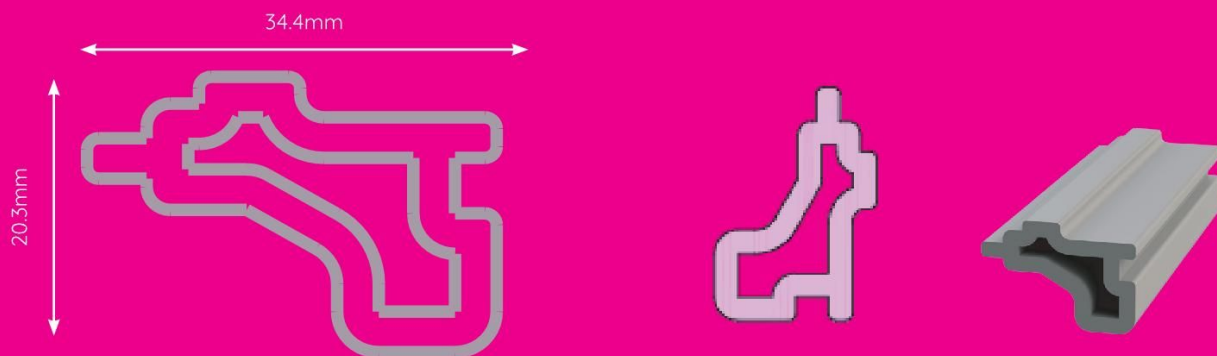


PRODUCT CODE WERB014 **TO SCALE**

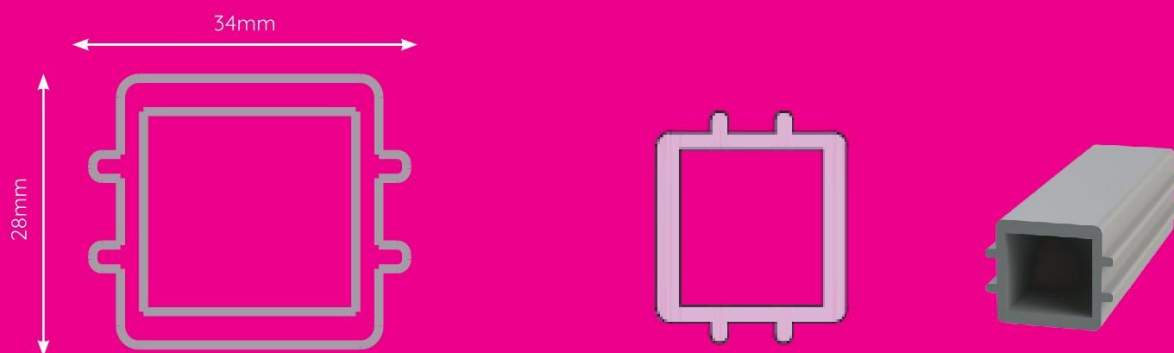


W WERBAR

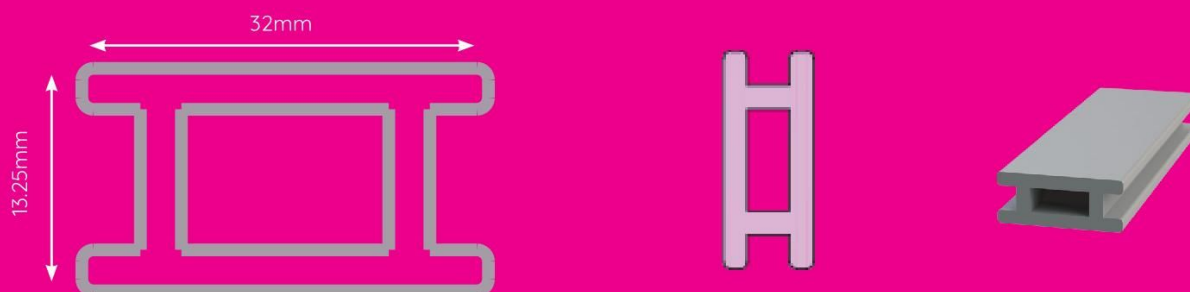
PRODUCT CODE WERB017 TO SCALE



PRODUCT CODE WERB018 TO SCALE

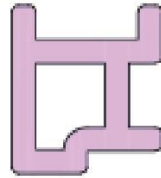
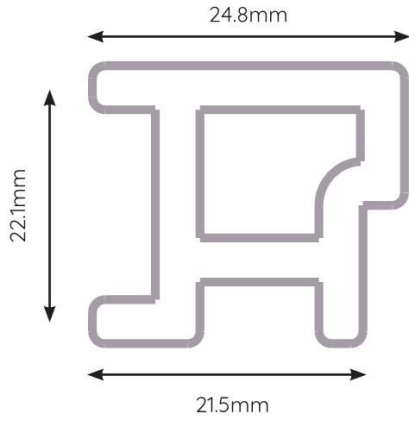


PRODUCT CODE WERB019 TO SCALE

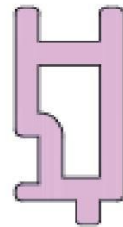
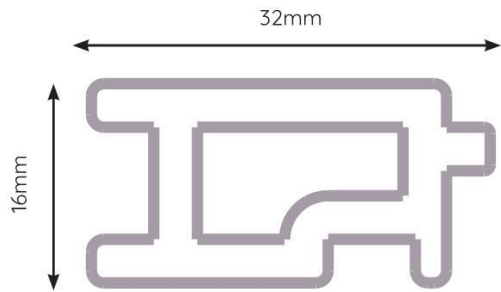


W WERBAR

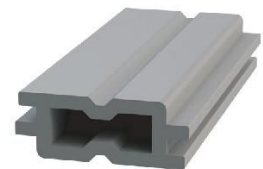
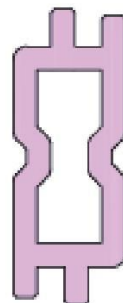
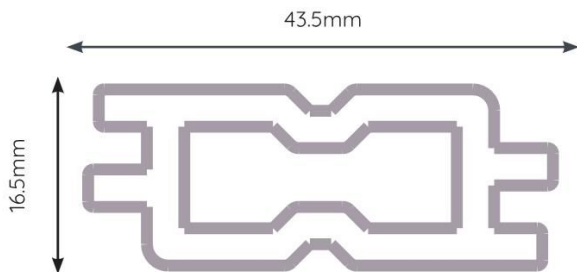
PRODUCT CODE WERB020 **TO SCALE**



PRODUCT CODE WERB023 **TO SCALE**

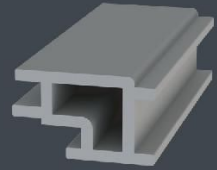
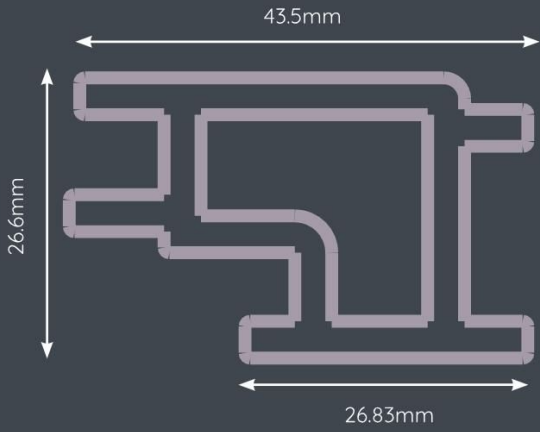


PRODUCT CODE WERB024 **TO SCALE**

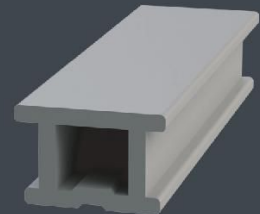
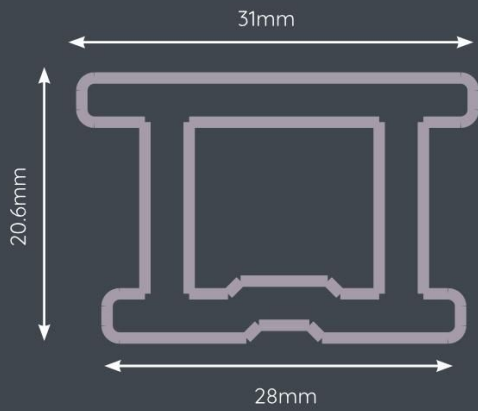


W WERBAR

PRODUCT CODE WERB025 TO SCALE

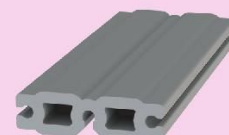
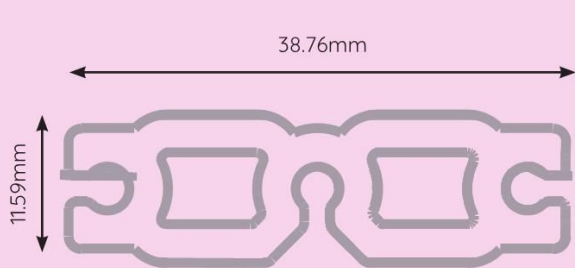


PRODUCT CODE WERB029 TO SCALE

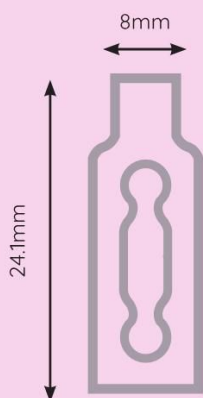


W WERBAR

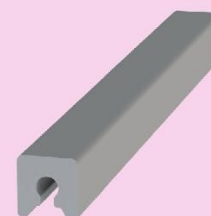
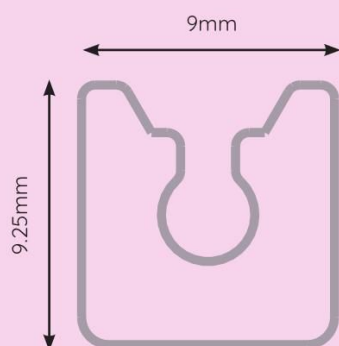
PRODUCT CODE R210 **TO SCALE**



PRODUCT CODE R205 **TO SCALE**



PRODUCT CODE R208 **TO SCALE**





Weatherbar

Weatherbars have been around for years! You'll see them on the bottom of most doors, we supply most of the major composite door fabricators with ours. We even mould the end caps in a matching colour to save you time and money!

Our colour options are constantly updating to fit with current trends, check out the website for our full list of colours.



WATER DIVERSION



VARIOUS COLOURS



SCREW FIX



UNIVERSALLY FITTING



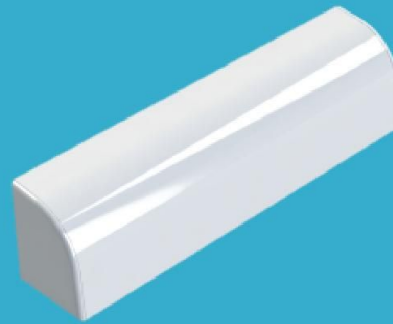
Wb WEATHERBAR

PRODUCT	WEATHERBAR
PART NO.	DESCRIPTION
R206 - 01	Weatherbar Un-foiled
R206	Weatherbar Foiled

PRODUCT	END CAPS
PART NO.	DESCRIPTION
R315	Left Hand End Cap
R316	Right Hand End Cap

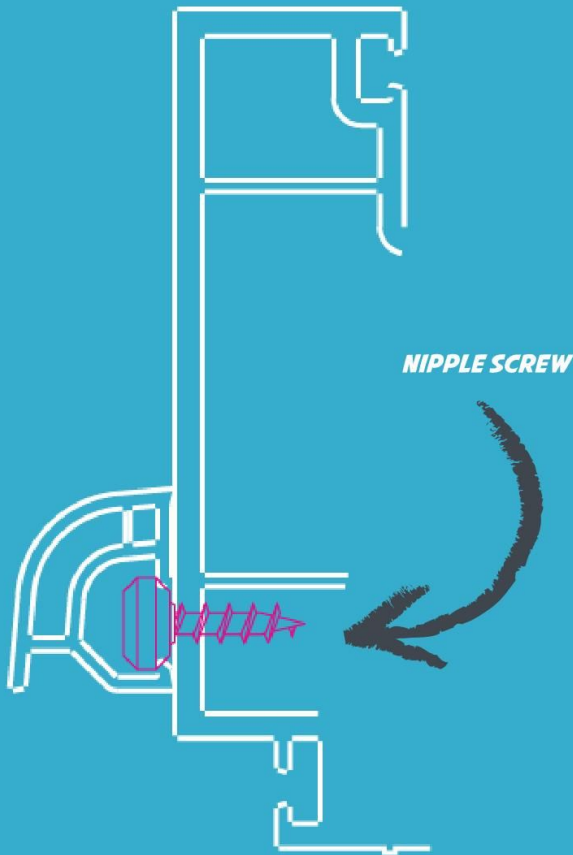


Weatherbar



Weatherbar with End Cap

SCREW FIX WEATHERBAR IN PLACE



Wb

A

Ancillaries

From Radlington cill to frame add-on, we've got something to help finish the job.

Available in various sizes and multiple colours - check the website for our full range.



VARIOUS COLOURS



55MM & 30MM CILL UP-STAND



MIX AND MATCH INTERIOR & EXTERIOR



TRADITIONAL DEEP NOSE CILL



EASY CLEAN



WELDABLE CILL REINFORCEMENT



15MM & 20MM ADD-ONS

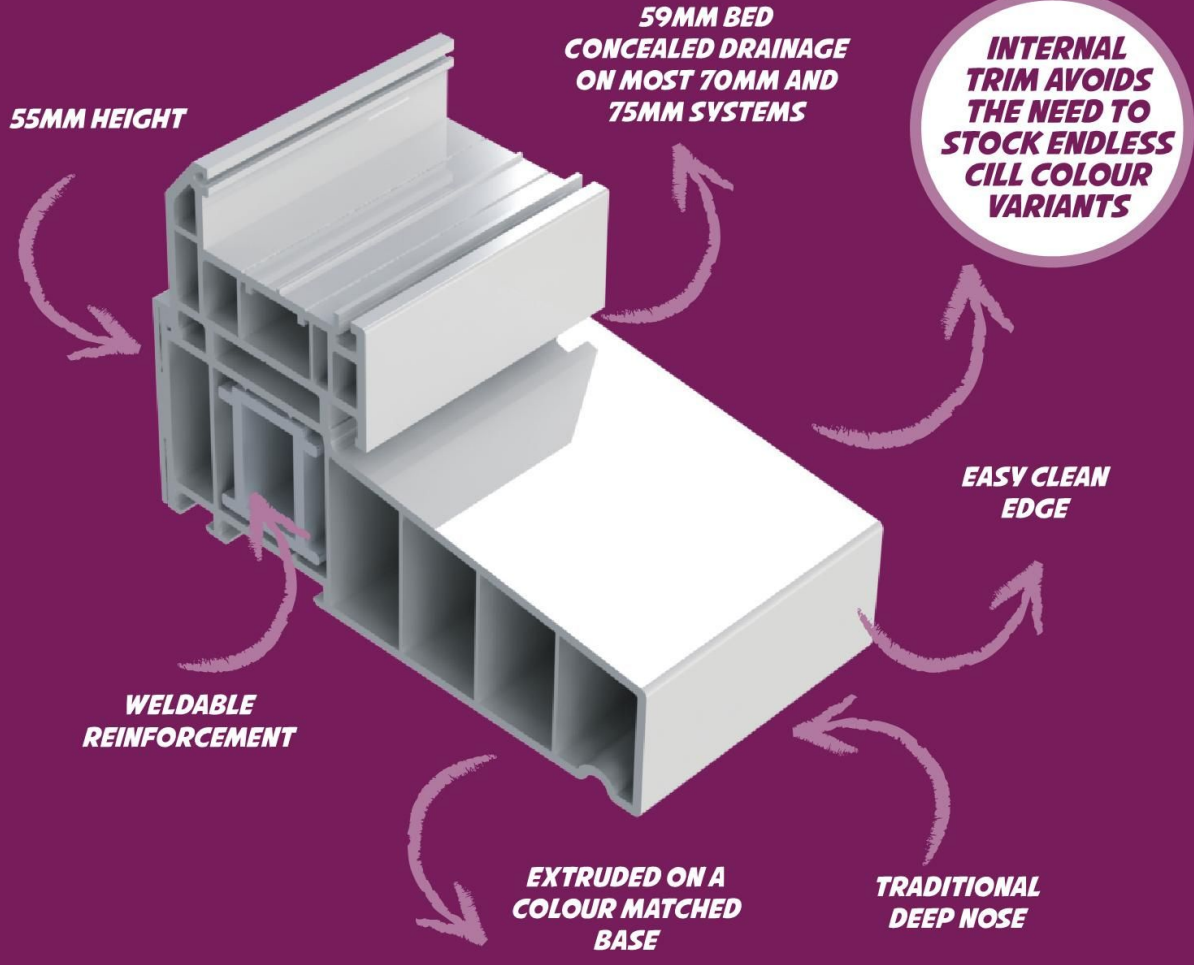
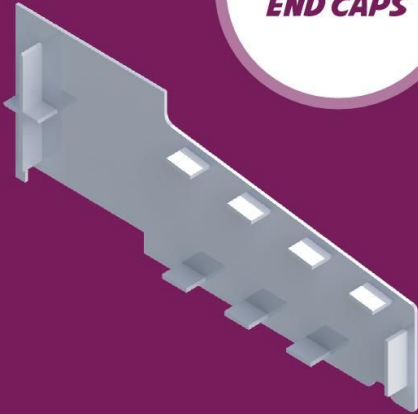


A RADLINGTON CILL

Old imperial bricks varied in height, metric bricks are 65mm. Old timber cills were deep and often aligned with a course of bricks.

At 55mm The Radlington is a modern interpretation and allows for packing, expansion, Baypole jacks and irregular mortar. So if you are replacing traditional timber windows, installation becomes easier and the end result more authentic.

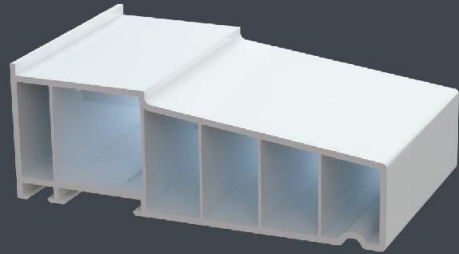
If your installation is a new build, you can recreate this traditional look with The Radlington.



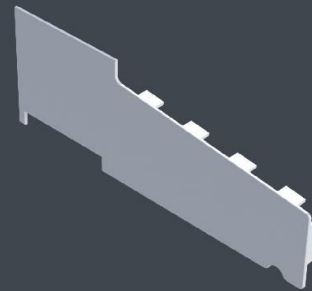
A

A RADLINGTON CILL

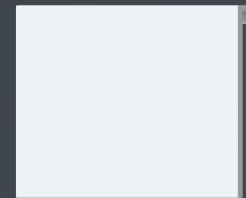
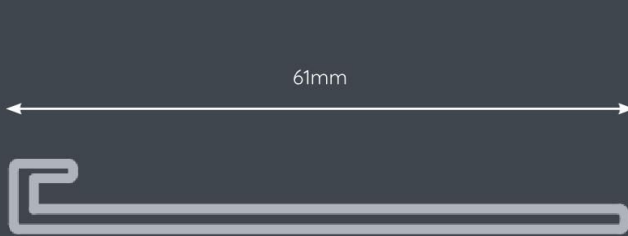
PRODUCT	DEEP CILL
PART NO.	DESCRIPTION
R009	Un-foiled 165mm x 55mm Deep Cill
R009	Foiled 165mm x 55mm Deep Cill



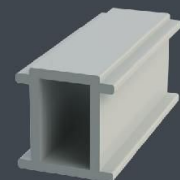
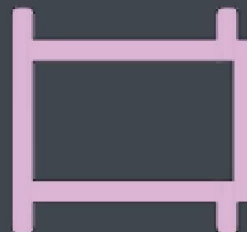
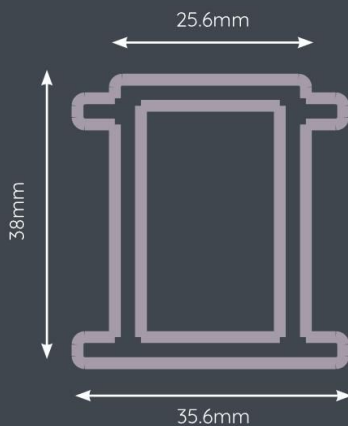
PRODUCT	CILL END CAPS
PART NO.	DESCRIPTION
R324	Un-foiled Cill End Caps
R324	Foiled Cill End Caps



PRODUCT CODE	R214	TO SCALE
--------------	------	----------



PRODUCT CODE	WERB009	TO SCALE
--------------	---------	----------

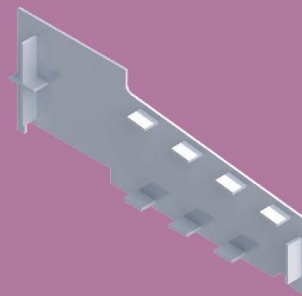


A RADLINGTON CILL

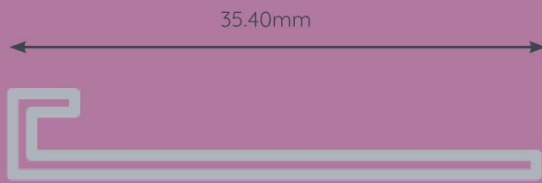
PRODUCT	MINI CILL
PART NO.	DESCRIPTION
R009M	Un-foiled 165mm x 30mm Cill
R009M	Foiled 165mm x 30mm Cill



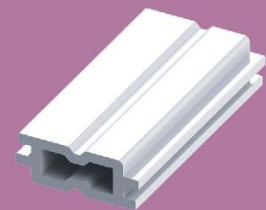
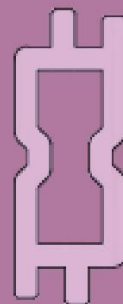
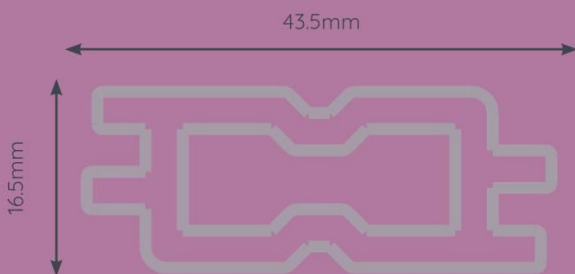
PRODUCT	MINI CILL END CAPS
PART NO.	DESCRIPTION
R325	Un-foiled Cill End Caps
R325	Foiled Cill End Caps



PRODUCT CODE	R217	TO SCALE
--------------	------	----------



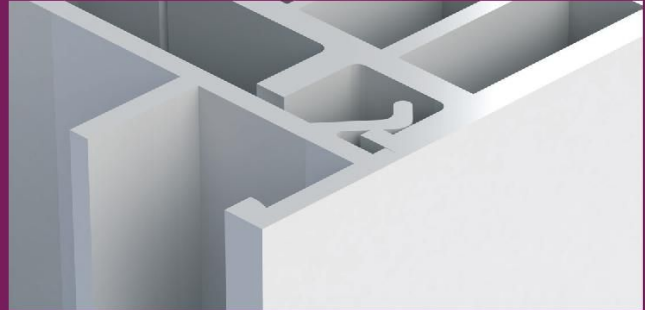
PRODUCT CODE	WERB024	TO SCALE
--------------	---------	----------



A FRAME ADD-ON

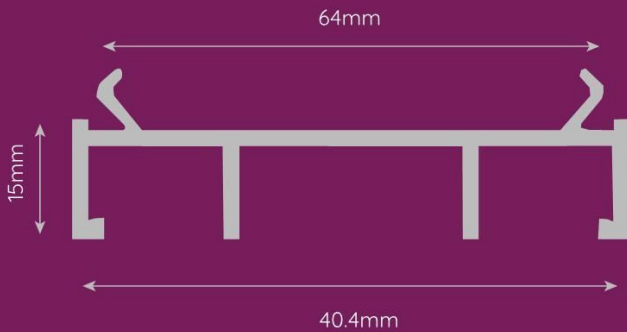
Frame add-ons are used extensively on the hinge side of doors. They generally give clearance to clear plaster lines. We offer an add-on for 70mm and 75mm.

On conservatories they make great starters and in-fills. On windows use them at the head so that frames with trickle vents clear the plaster line.

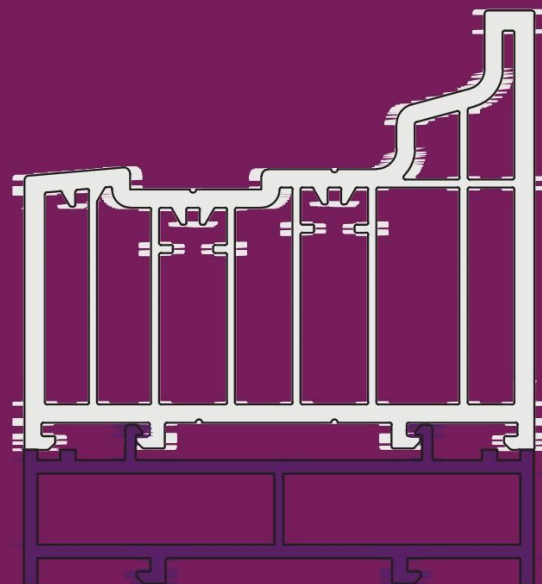
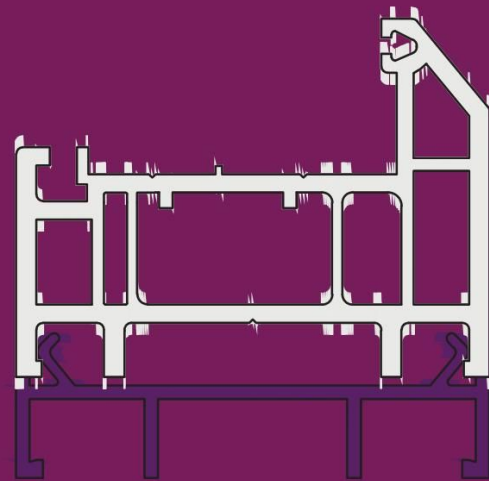
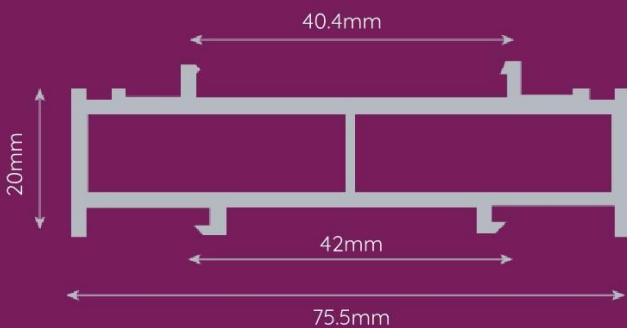


PRODUCT	15MMAO
DESCRIPTION	
15mm add-on for a 70mm frame	

This design fits lots of systems making it ideal for trade counters, installers and fabricators of more than one system. It can also be stacked to create for instance a 30mm add-on.



PRODUCT	20MMAO
DESCRIPTION	
20mm add-on for 75mm frame	



Pp

Protection Products

Make sure your windows and doors are protected from travelling around the factory to transporting to on-site.

Our universal protection products give you quick and cost effective solutions, ensuring the quality of your windows and doors is the best as standard.



VARIOUS DESIGNS



PROTECTS



LOW COST



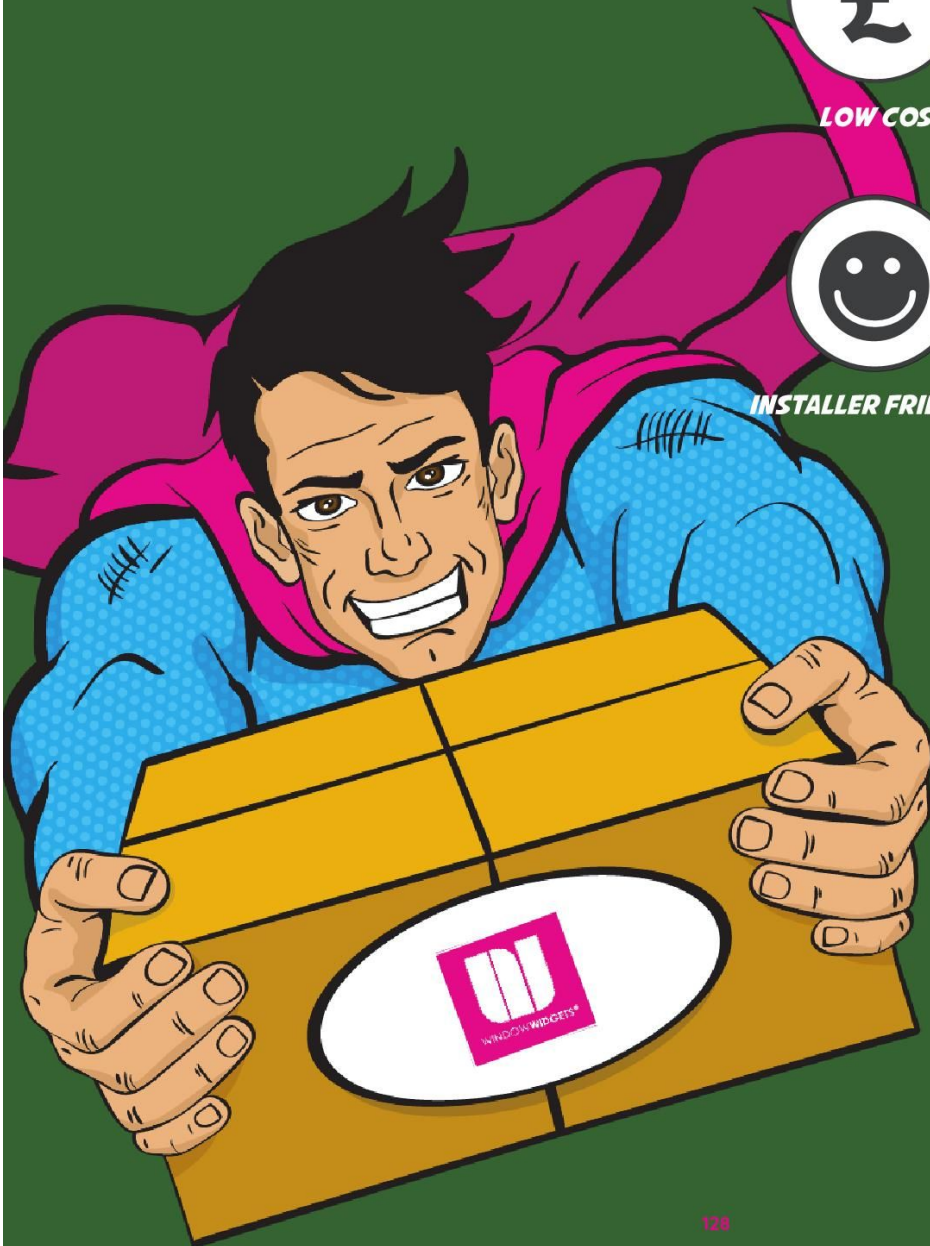
UNIVERSAL FIT



INSTALLER FRIENDLY



RECYCLED MATERIAL



Pp PROTECTION PRODUCTS

Quick to fit and bouncy, corner protectors will absorb impact and prevent cracked welds.

PRODUCT	6025CP
DESCRIPTION	
Corner Protector Screw-fix 60mm x 25mm	

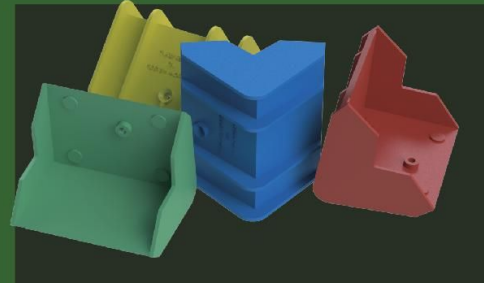
PRODUCT	7025CP
DESCRIPTION	
Corner Protector Screw-fix 70mm x 25mm	

PRODUCT	70CP
DESCRIPTION	
Corner Protector Screw-fix 70mm	

PRODUCT	7525CP
DESCRIPTION	
Corner Protector Screw-fix 75mm x 25mm	

PRODUCT	8525CP
DESCRIPTION	
Corner Protector Screw-fix 85mm x 25mm	

PRODUCT	R302
DESCRIPTION	
Corner Protector Screw-fix 100mm x 25mm	



Pp

This in-line frame protector is designed to be used beneath the mullion to give support and stop deflection.

PRODUCT	25IFP
DESCRIPTION	
Universal In-Line Frame Protector	

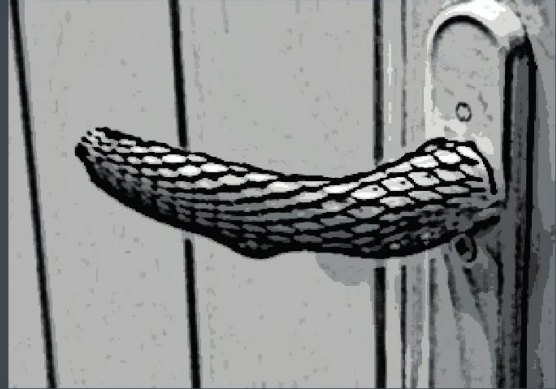


Pp PROTECTION PRODUCTS

Handle mesh protects your window & door handles.

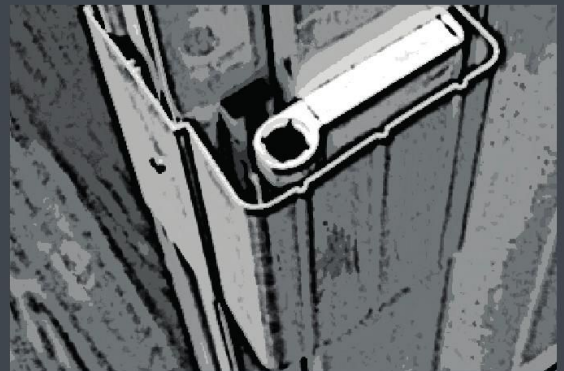
PRODUCT	HANDLEMESH150
DESCRIPTION	
Handle Mesh - ideal for window handles	

PRODUCT	HANDLEMESH200
DESCRIPTION	
Handle Mesh - ideal for door handles	



Don't send out replacement hinges when they get damaged - protect them! Hinge protector fits most flag and butt hinges, use in 1.8m or cut to size of hinge. Made from recycled material.

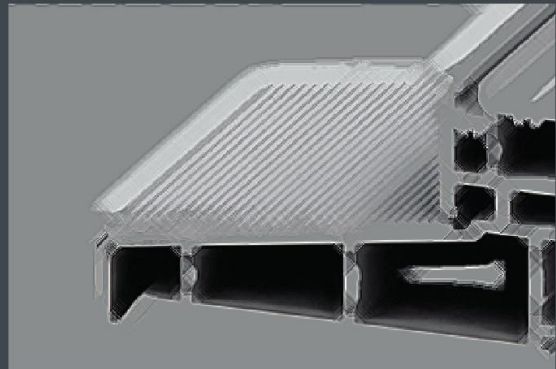
PRODUCT	HPD
DESCRIPTION	
Hinge Protector	



Ribbed for anti-slip pleasure! Can be siliconed into place or screw fix for heavy commercial applications, available for cills and frames.

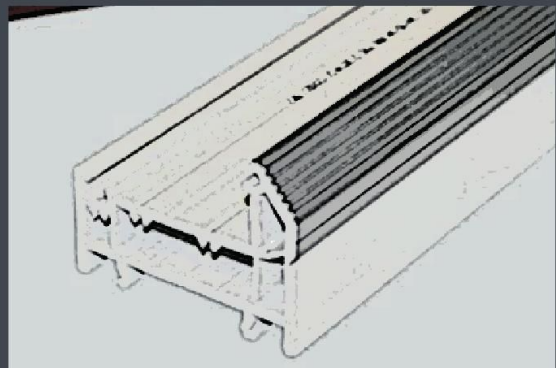
PRODUCT	482304S18
DESCRIPTION	
Silver Cill Kick Plate	

PRODUCT	482304G18
DESCRIPTION	
Gold Cill Kick Plate	



PRODUCT	482276S1
DESCRIPTION	
Silver Door Kick Plate	

PRODUCT	482276G1
DESCRIPTION	
Gold Door Kick Plate	





Bridge Packers

Bridge Packers are profile related and designed to give the installer a flat surface to pack away from, thus speeding up glazing time!

All have a positive 'clip fit' and will stay in position during transport. Our packers allow for drainage (some competitor products seem to channel water towards the bead) and we have designed a generous wall thickness to support larger units like glazed doors.



ALLOW DRAINAGE



VARIOUS COLOURS



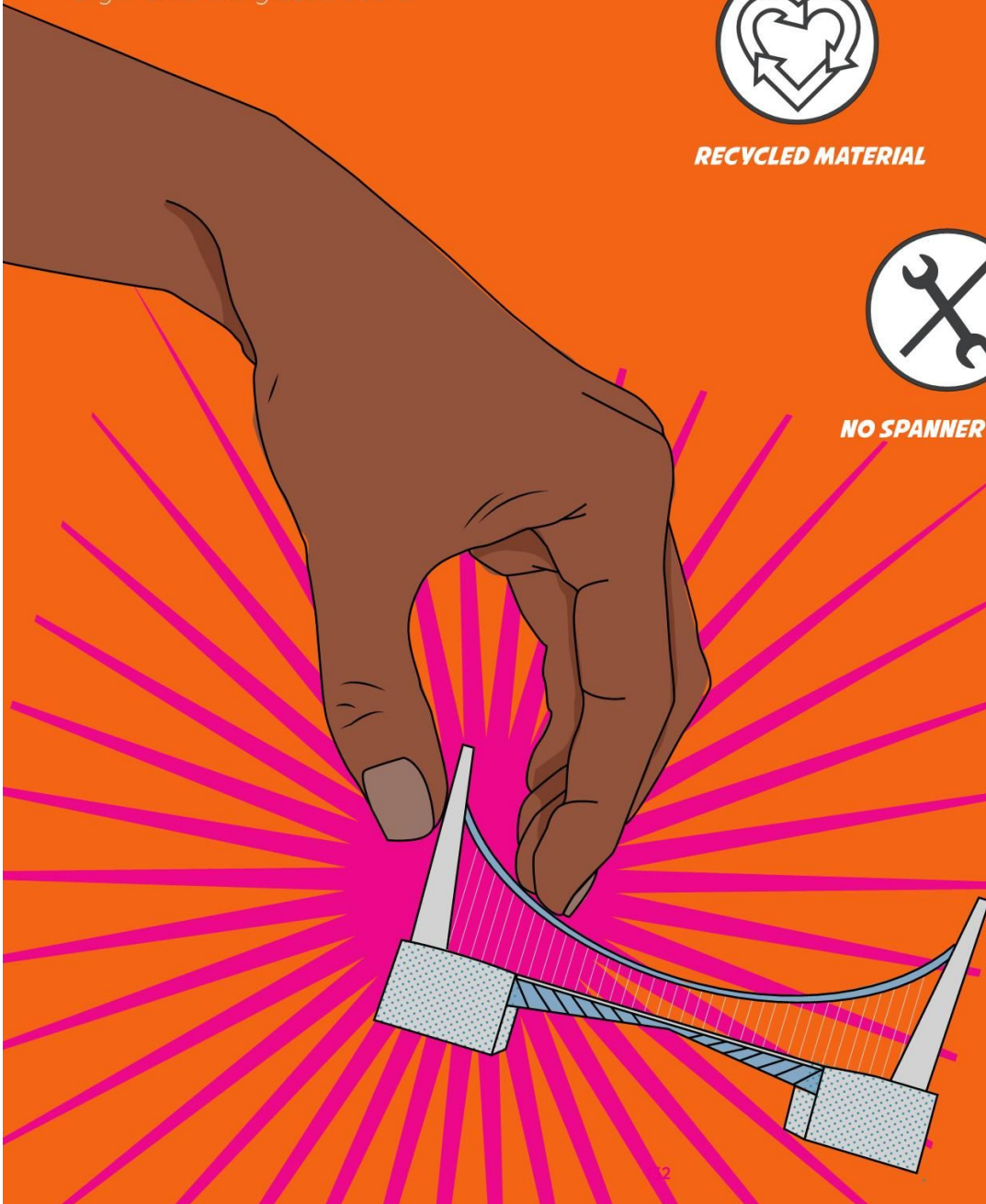
RECYCLED MATERIAL



INSTALLER FRIENDLY



NO SPANNER NEEDED



Bp BRIDGE PACKERS

PRODUCT	BPEL
SYSTEM	
Eurocell Eurologic	

PRODUCT	P22BP02
SYSTEM	
Profile 22 70mm	

PRODUCT	SYNBP01
SYSTEM	
Synseal Synerjy + Shield	

PRODUCT	VEKABRIDGEBLK
SYSTEM	
Veka 70mm	

PRODUCT	WWKBP01
SYSTEM	
Kommerling 70mm	

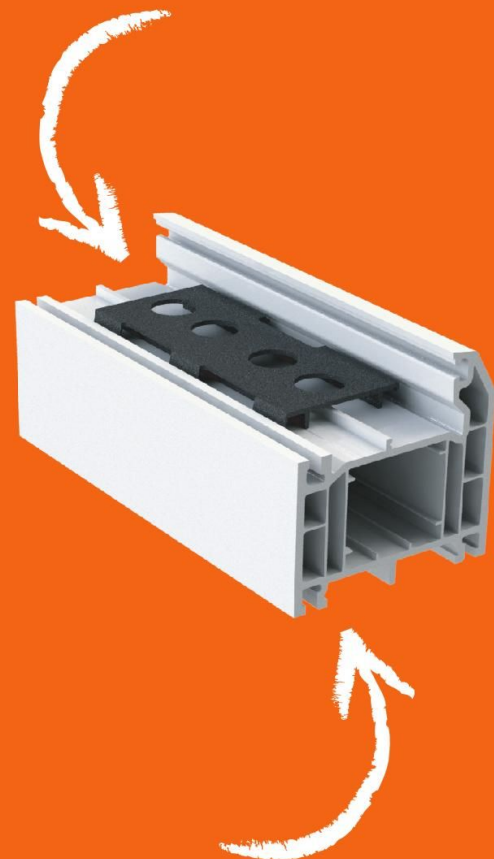
PRODUCT	WWDBP01
SYSTEM	
Deceuninck / Status 70mm	

PRODUCT	WWBPR70WTZ
SYSTEM	
Rehau Window & Door Sash	

PRODUCT	WWBPR70DTZ
SYSTEM	
Rehau Frame & Mullions	

PRODUCT	BPR44
SYSTEM	
Rehau 44mm Frame	

**ALL BRIDGE PACKERS
COME IN BLACK**



EASY CLIP FIT PRODUCT



Drainage Caps

Our Drainage Caps are designed to fit slots with 5mm x 25mm centres (not holes). The modern design has smooth edges, so dirt doesn't trap.

The clever clip allows you to roll the drainage cap into the slot and it won't come out. We mould them in 7 different colours to match the window or door finish.



ALLOWS DRAINAGE



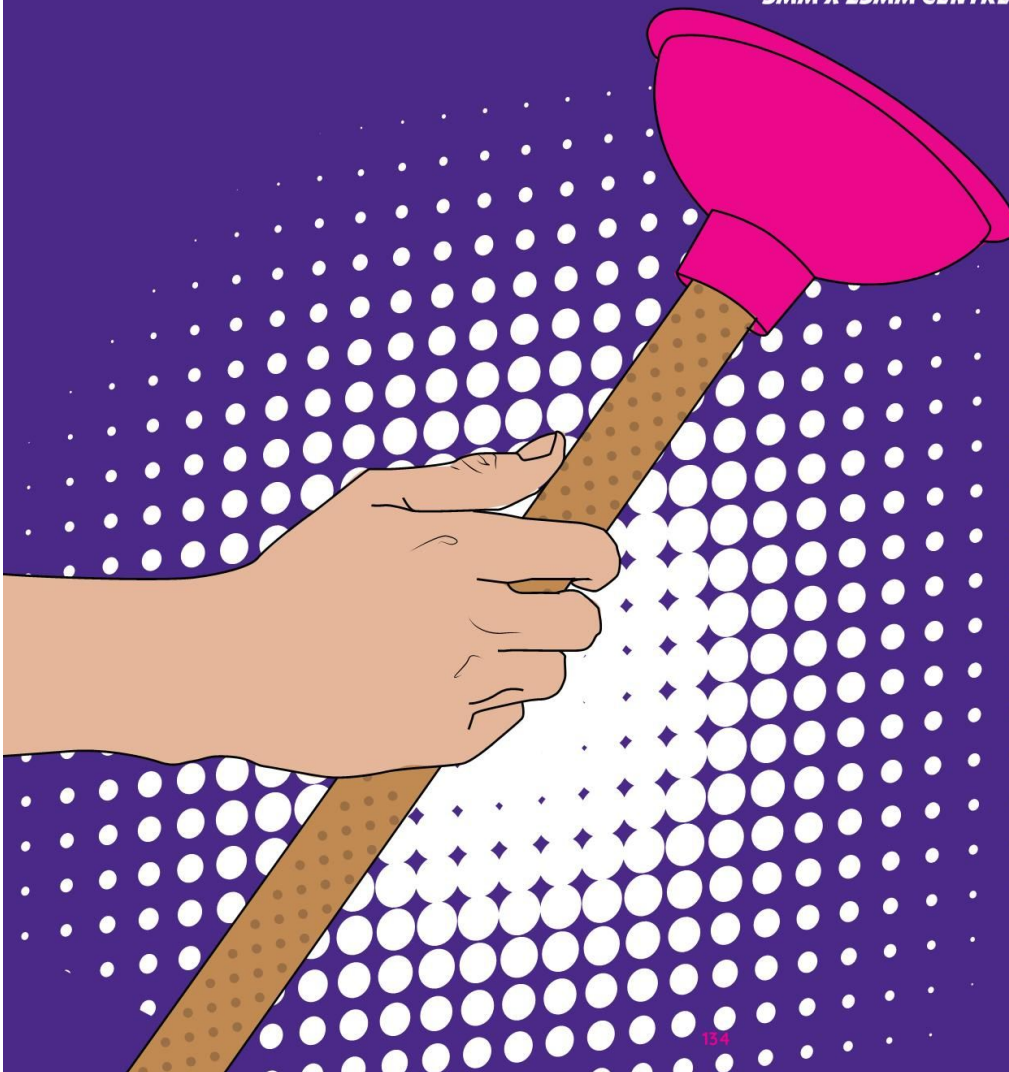
VARIOUS COLOURS



5MM X 25MM CENTRES



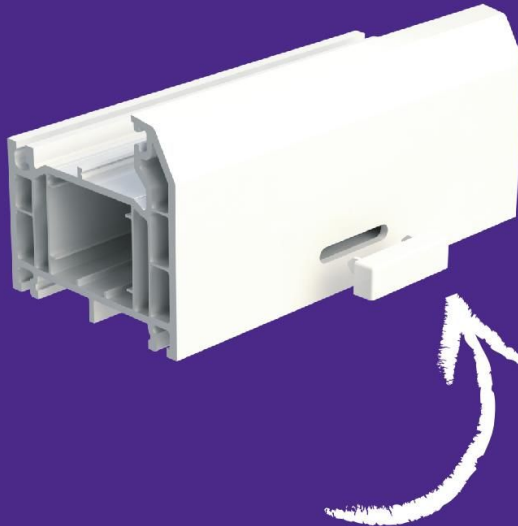
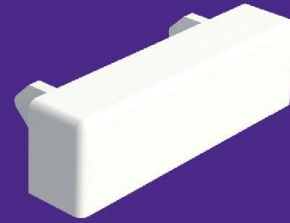
INSTALLER FRIENDLY



134

Dc DRAINAGE CAPS

PART NUMBER	DESCRIPTION
R326	Drainage Cap - please see website for colour range



**ROLL DRAINAGE CAP
INTO PLACE**



Dc



Run-Up Blocks

Our Run-Up Blocks are designed to clip fit. They are also engineered with sturdy side walls to give additional strength - a must in BS7950 security tests where they work as anti-lift devices.

Our Blocks have passed these tests with several different PVC-U systems. The design also includes a unique 'reverse ramp' so windows open as smoothly as they close and even has a detail so that drainage is not impeded.



VARIOUS DESIGNS



ADDS STRENGTH



REVERSE RAMP



SMOOTH OPENING

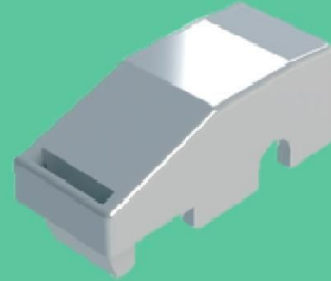


INSTALLER FRIENDLY

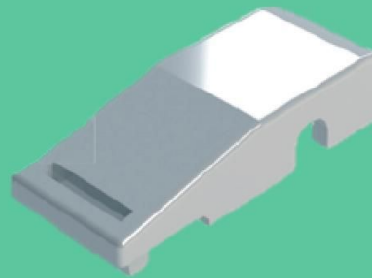


Ru RUN-UP BLOCKS

PART NO.	DESCRIPTION	SYSTEM
RUBMWMKI	White	Rehau 60/70 Deceuninck Kommerling 70 Selecta 70
RUBBMKI	Brown	
RUBTMKI	Tan	

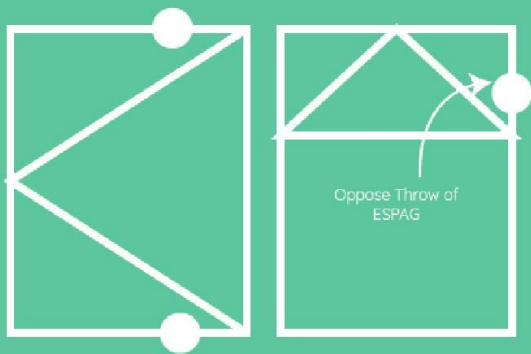


PART NO.	DESCRIPTION	SYSTEM
VKARUBW	White	Veka 70
VKARUBB	Brown	
VKARUBT	Tan	

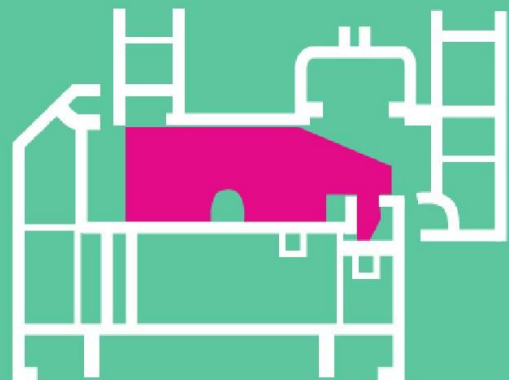


PART NO.	DESCRIPTION	SYSTEM
DFXRUBW	White	Duraflex 65/70
DFXRUBB	Brown	
DFXRUBT	Tan	

PART NO.	DESCRIPTION	SYSTEM
ALURUBW	White	Aluplast
ALURUBB	Brown	
ALURUBT	Tan	



● Fit Run-Up Blocks here



Lw

Locking Wedges

Locking Wedges pull in bowing sashes and will improve the weather performance of any window.

We offer a range of locking wedges to work with solutions for both 13mm and 17mm friction stay stack heights. The Egress variant is specifically designed for use with egress friction stays.

13mm or 17mm?

Both sizes are available in Egress Variants for use with Egress Hinges. They have a shallower locking angle because of the hinge geometry).

We recommend you call for samples to trial with your hinge type.



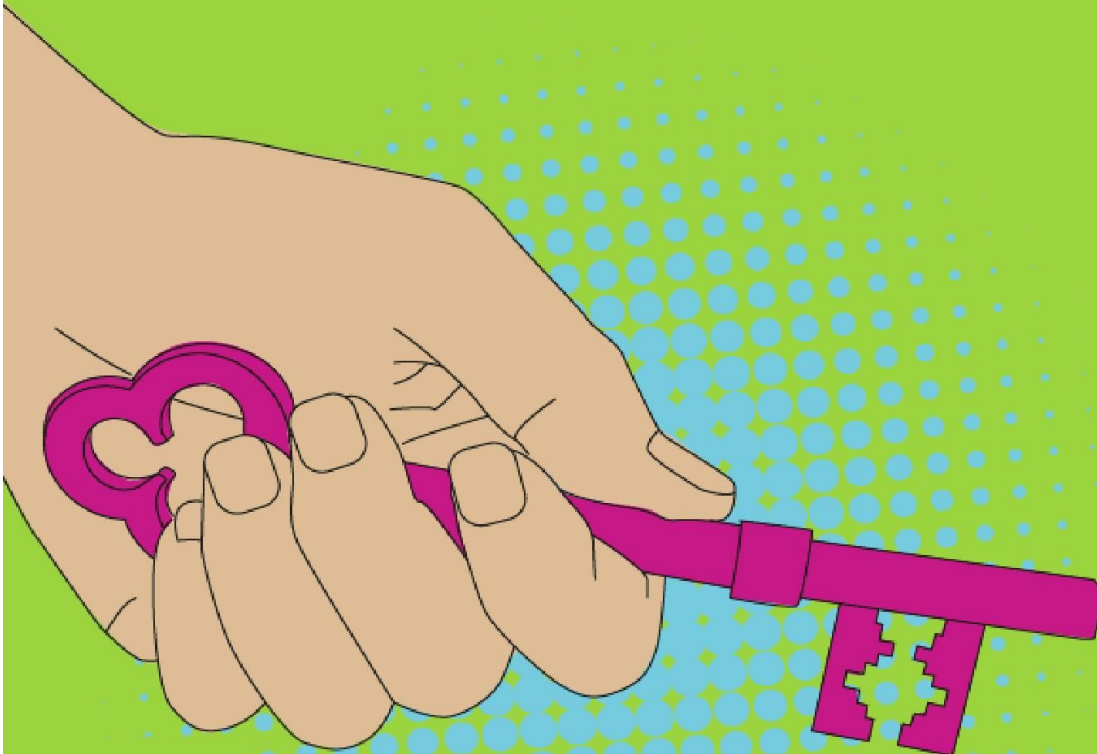
2 SIZES



BOWING SASH SOLUTION



IMPROVES WEATHER PERFORMANCE



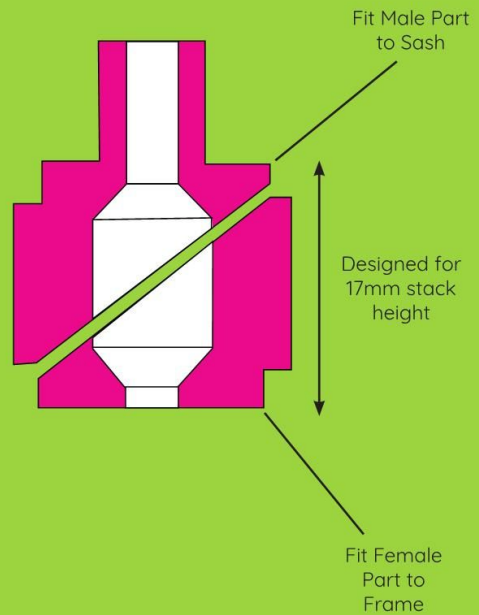
Lw LOCKING WEDGES

PRODUCT	STANDARD LOCKING WEDGE 17mm
Part No.	DESCRIPTION
LMMW	White Brown Tan
LWB	
LWT	

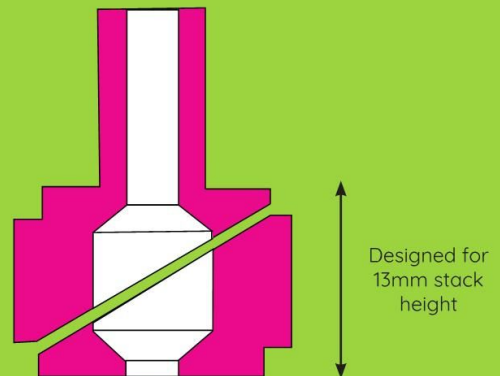


PRODUCT	STANDARD LOCKING WEDGE 13mm
Part No.	DESCRIPTION
LMMW13	White Brown Tan
LWB13	
LWT13	

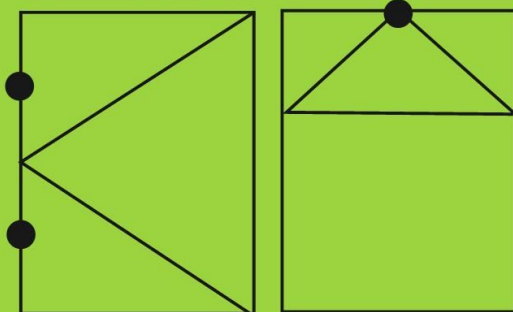
PRODUCT	EGRESS LOCKING WEDGE 17mm
Part No.	DESCRIPTION
LMMWEGRESS	White Brown Tan
LWBEGRESS	
LWTEGRESS	



PRODUCT	EGRESS LOCKING WEDGE 13mm
Part No.	DESCRIPTION
LMMWEGRESS13	White Brown Tan
LWBEGRESS13	
LWTEGRESS13	



WHERE DO I USE LOCKING WEDGES?



● FIT LOCKING WEDGE HERE



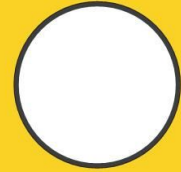
Fixing Lugs

Manufactured from Galvanised Steel, 1.2mm thick, our fixing lugs are designed to twist fit into the frame legs of your window.

An additional screw fix hole is in place. Our universal Lugs (FFL003, FFL503 & FFL504) are designed so that you can hook the front end into the frame and screw fix at the back. These variants are ideal for trade counters or installers who regularly use more than one system.



TWIST FIT



GALVANISED STEEL



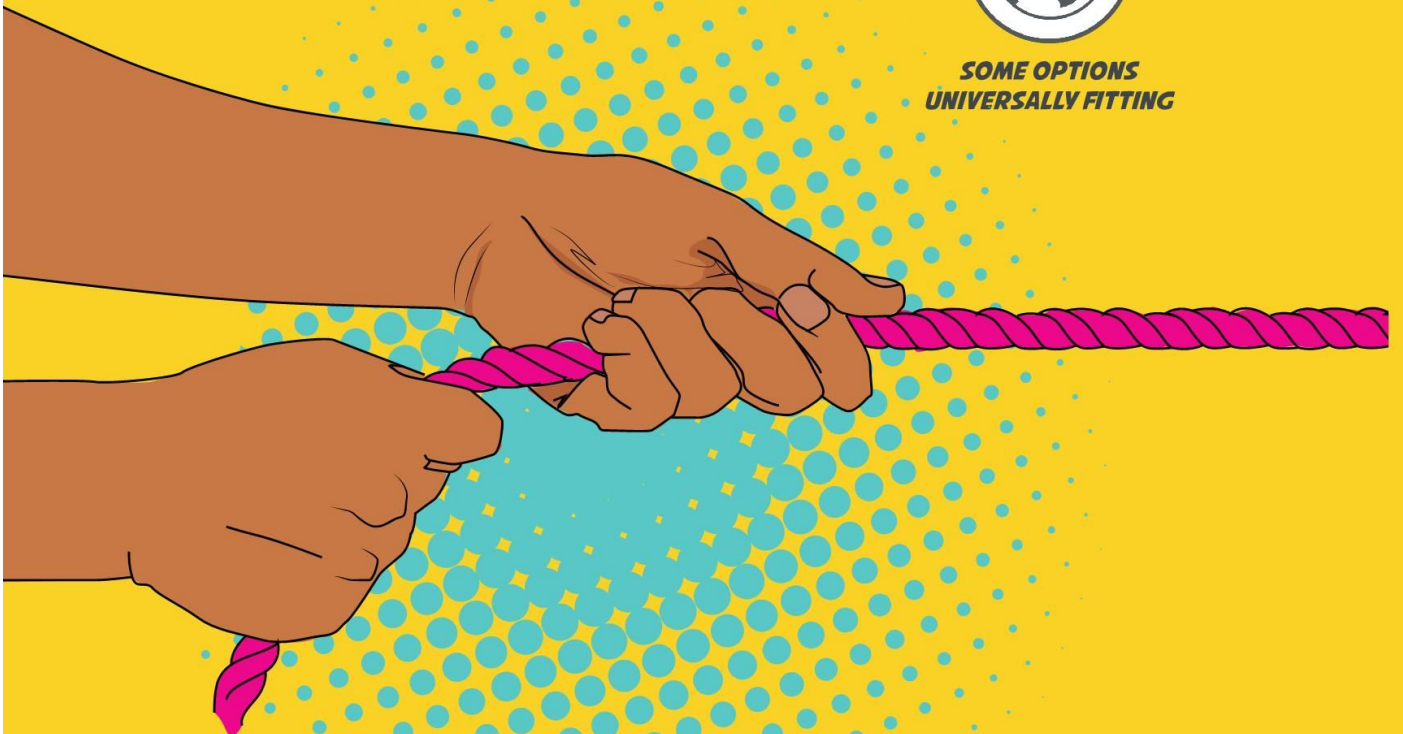
SCREW FIT AVAILABLE



3 SIZES

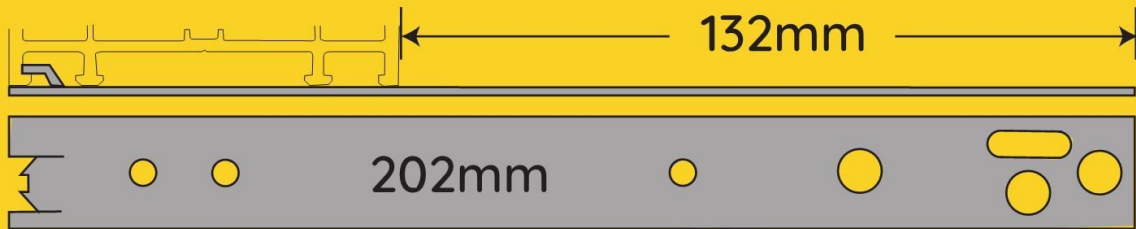


SOME OPTIONS UNIVERSALLY FITTING

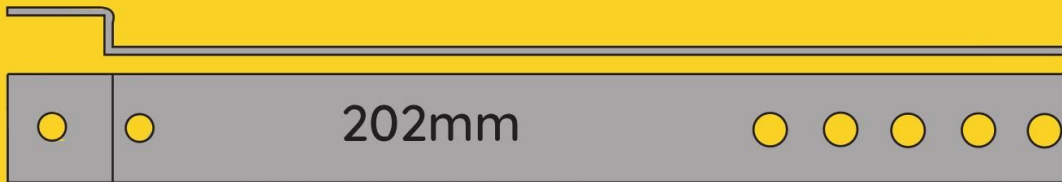


FI FIXING LUGS - UNIVERSAL

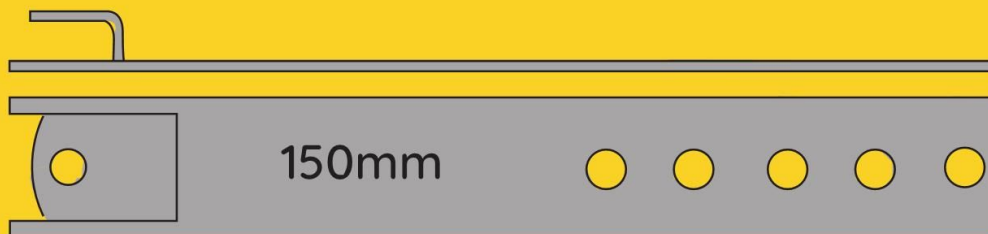
PRODUCT	FFL003
LENGTH	SYSTEM
202mm	UNIVERSAL



PRODUCT	FFL016
LENGTH	SYSTEM
202mm	UNIVERSAL



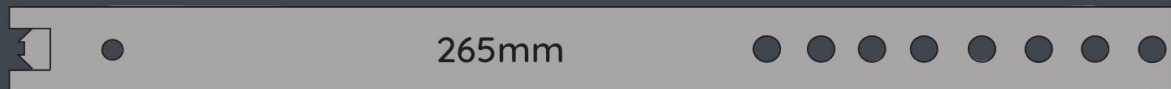
PRODUCT	FFL026
LENGTH	SYSTEM
150mm	UNIVERSAL



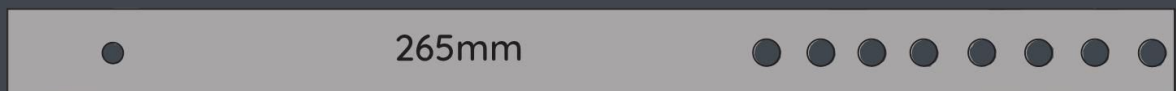
FI

FI FIXING LUGS - UNIVERSAL

PRODUCT	FFL503
LENGTH	SYSTEM
265mm	UNIVERSAL

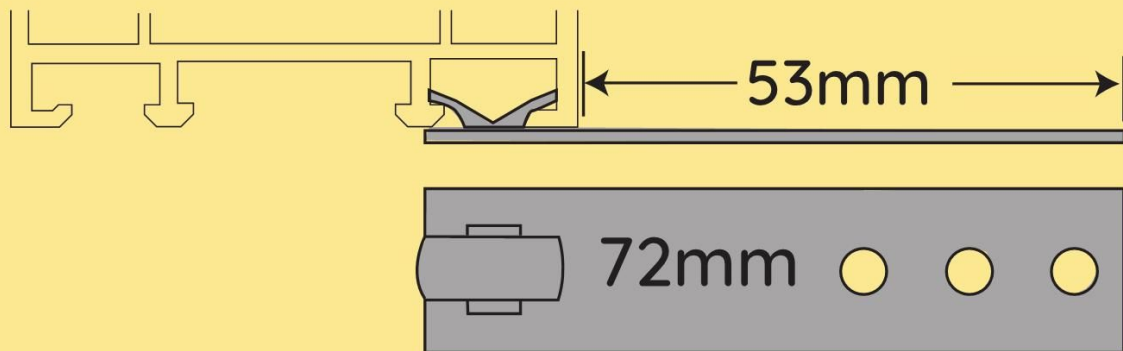


PRODUCT	FFL504
LENGTH	SYSTEM
265mm	UNIVERSAL



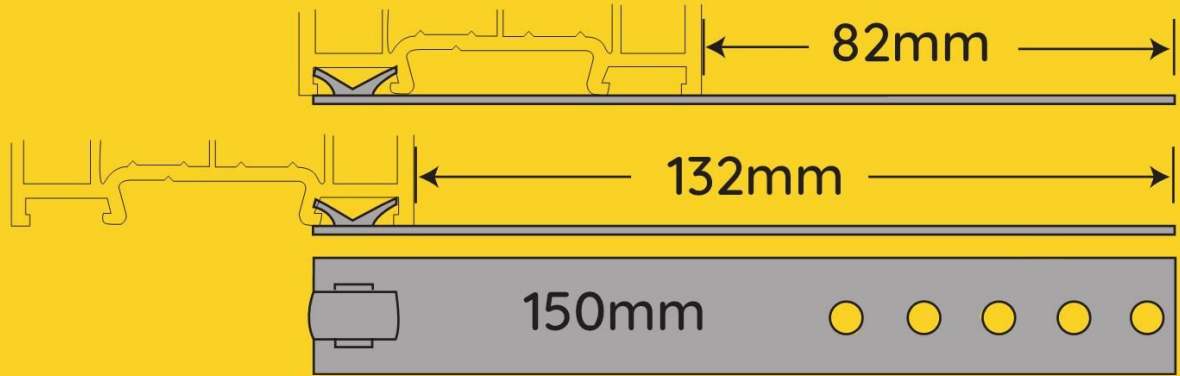
FI FIXING LUGS - 72mm

PRODUCT	FFL028
LENGTH	SYSTEM
72mm	Sheerframe Liniar Spectus VS Spectus Elite 63

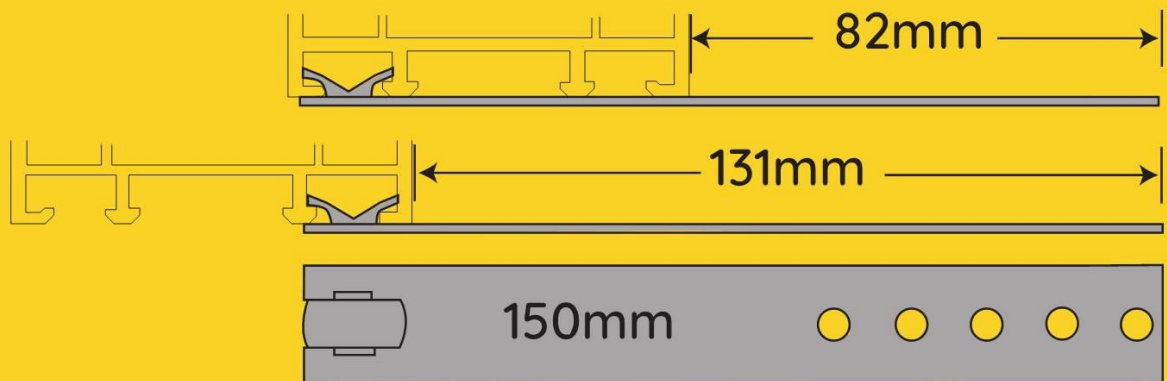


FI FIXING LUGS - 150mm

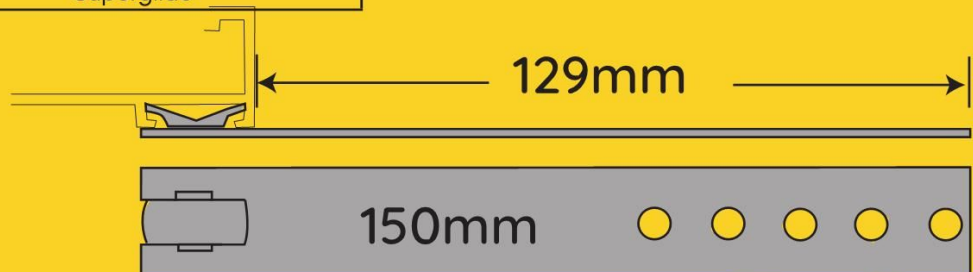
PRODUCT	FFL012
LENGTH	SYSTEM
150mm	Eurocell Halo



PRODUCT	FFL015
LENGTH	SYSTEM
150mm	Spectus Elite 63 Spectus VS Linia Sheerframe

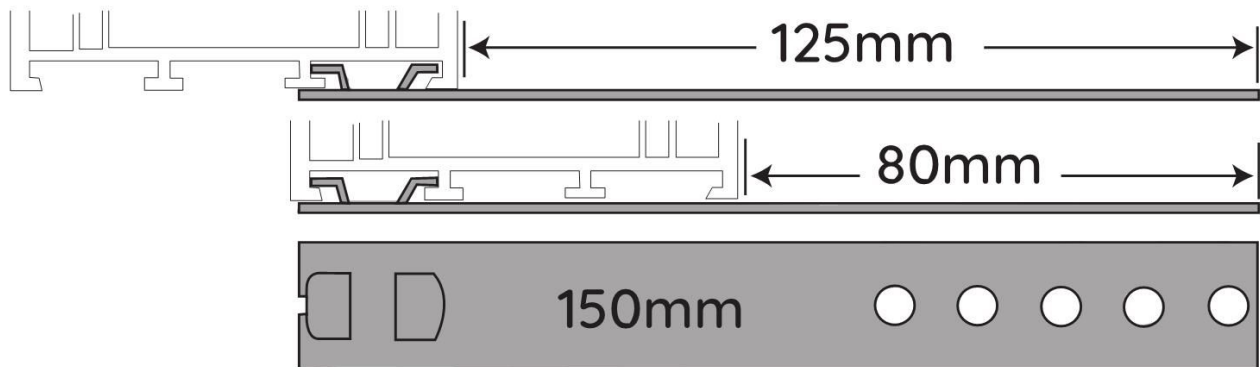


PRODUCT	FFL019
LENGTH	SYSTEM
150mm	Smart Visoline Superglide



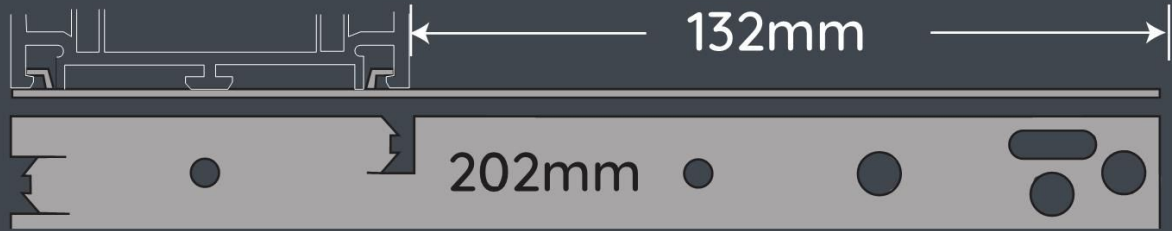
FI FIXING LUGS - 150mm

PRODUCT	FFL024
LENGTH	SYSTEM
150mm	Spectus 70

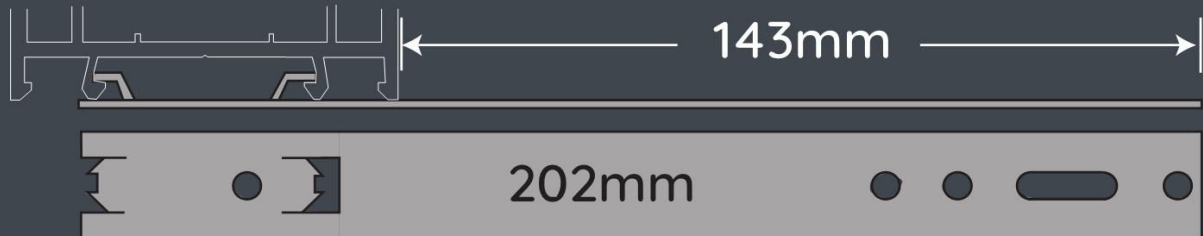


FI FIXING LUGS - 202mm

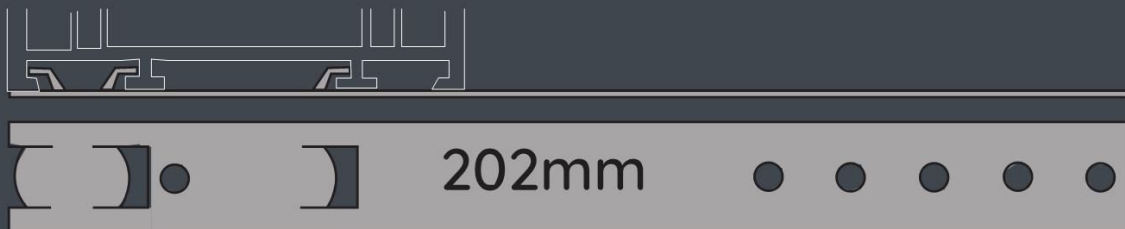
PRODUCT	FFL001
LENGTH	SYSTEM
202mm	Spectus 70mm Rehau Calibre Selecta 70mm



PRODUCT	FFL004
LENGTH	SYSTEM
202mm	Rehau 60 & 70mm Synseal Silhouette Plastmo Vertical Slider Eurocell

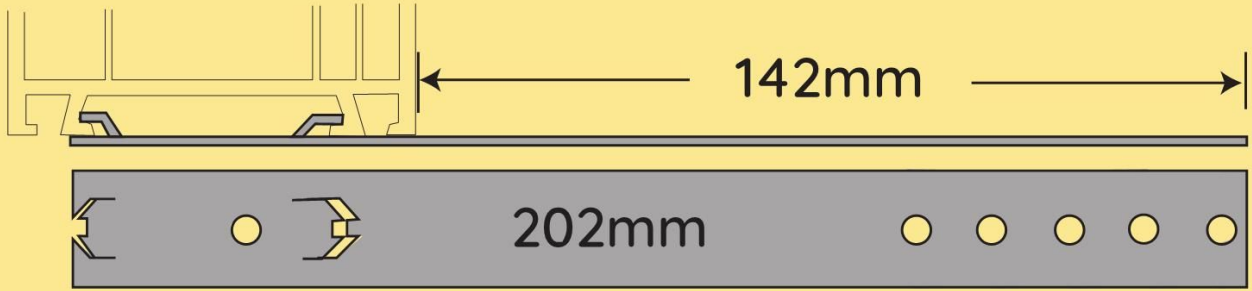


PRODUCT	FFL005
LENGTH	SYSTEM
202mm	Comar Aluminium

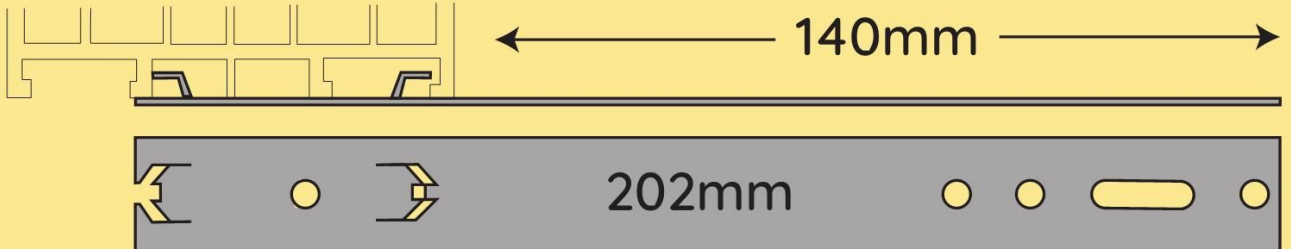


FI FIXING LUGS - 202mm

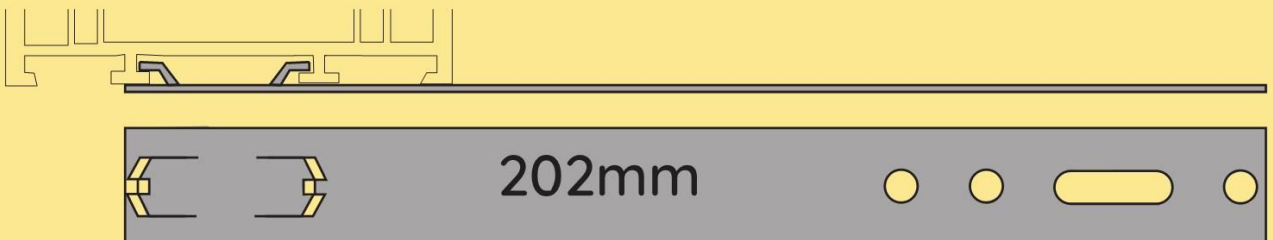
PRODUCT	FFL006
LENGTH	SYSTEM
202mm	Profile 22 70mm Legend 70mm Swish 247



PRODUCT	FFL007
LENGTH	SYSTEM
202mm	Rehau Vertical Slider Synseal Evolve

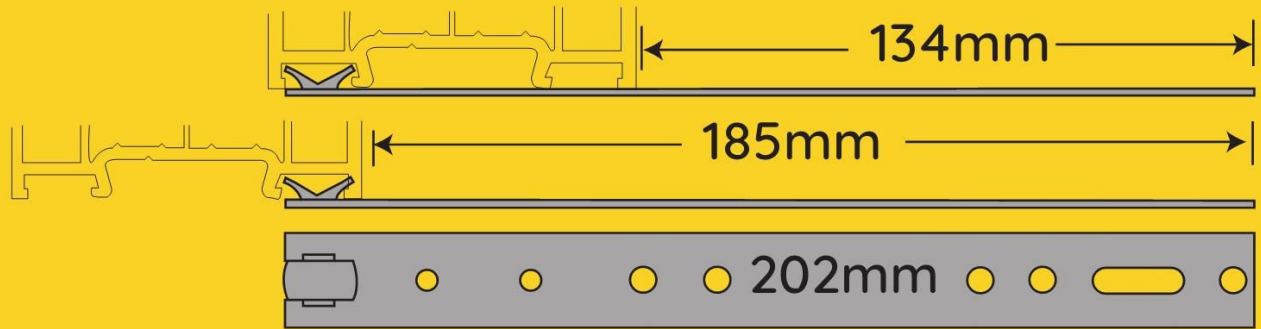


PRODUCT	FFL008
LENGTH	SYSTEM
202mm	Halo

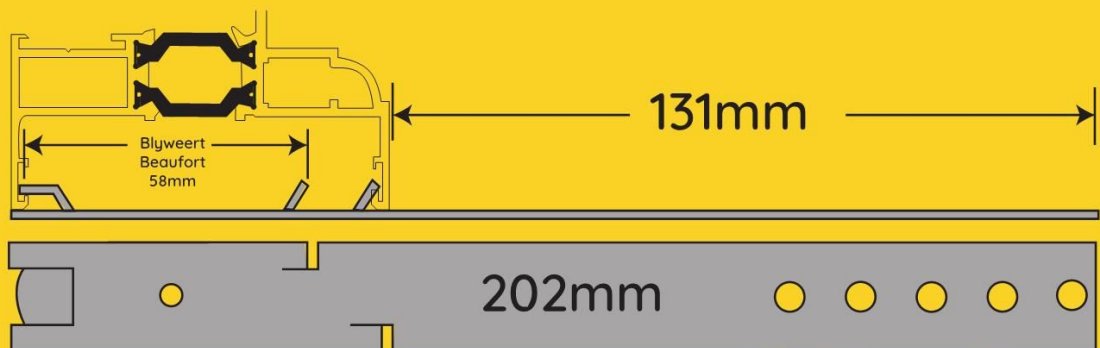


FI FIXING LUGS - 202mm

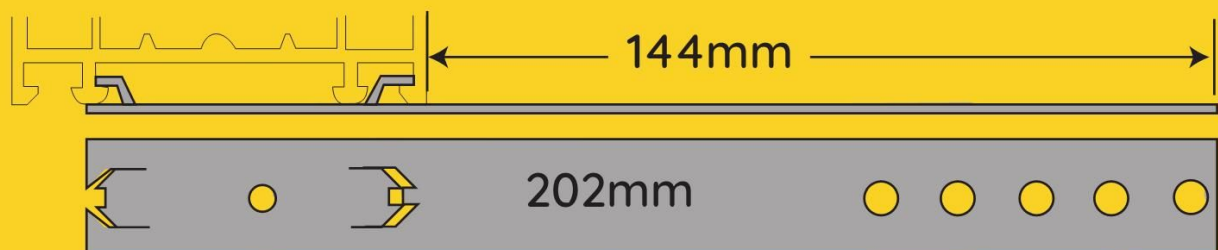
PRODUCT	FFL017
LENGTH	SYSTEM
202mm	Eurocell Halo



PRODUCT	FFL022
LENGTH	SYSTEM
202mm	ALUK Kawneer Smart Visoline

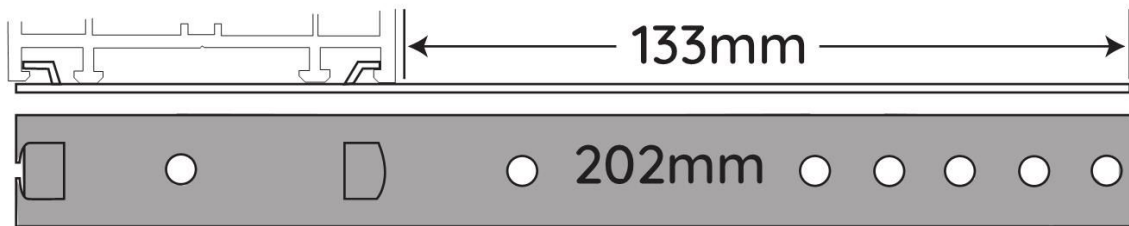


PRODUCT	FFL023
LENGTH	SYSTEM
202mm	Veka 58 & 70 Rehau

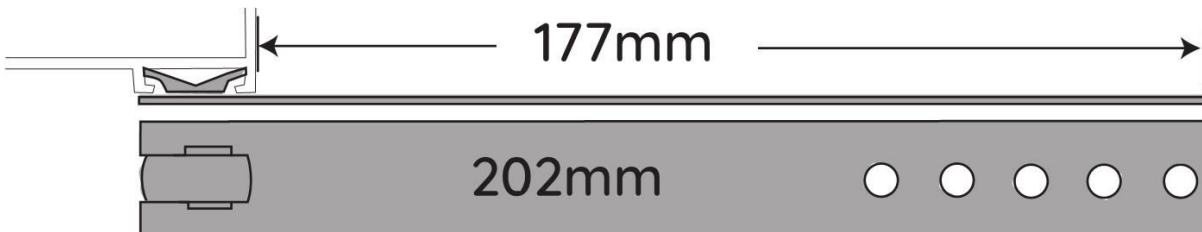


FI **FIXING LUGS - 202mm**

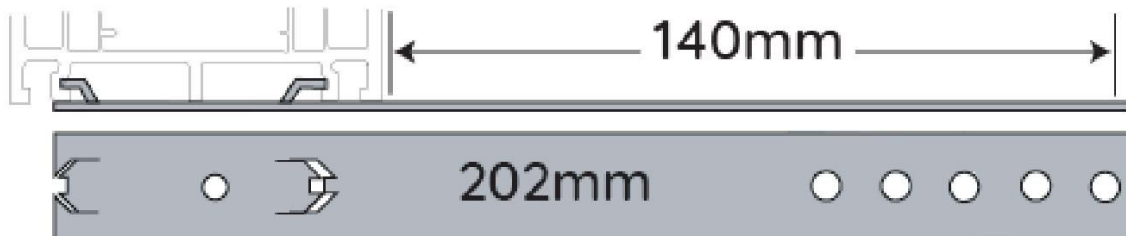
PRODUCT	FFL027
LENGTH	SYSTEM
202mm	Duraflex Spectus 70 Synerjy Deceuninck Shield 6 Eurocell Linjar Rehau Total 70



PRODUCT	FFL030
LENGTH	SYSTEM
202mm	Smart Visoline Superglide



PRODUCT	FFL035
LENGTH	SYSTEM
202mm	Kommerling Halo VS



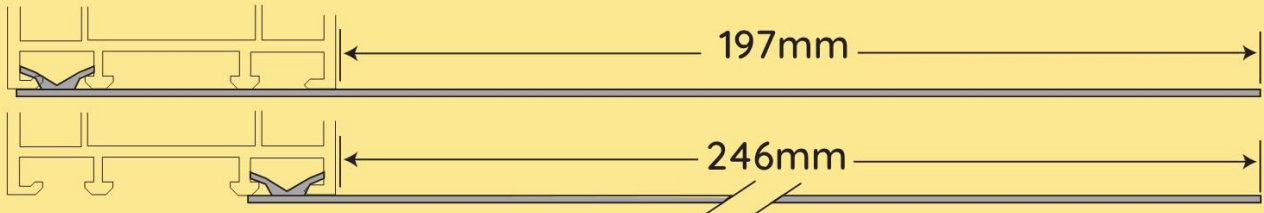
FI FIXING LUGS - 202mm

PRODUCT	FFL037
LENGTH	SYSTEM
202mm	Legend 70 Shield 6 Synerjy

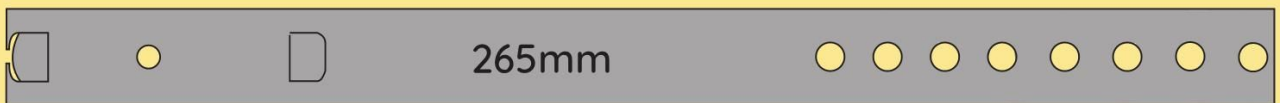
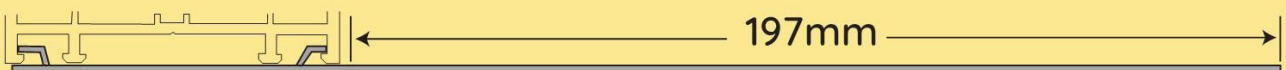


FI FIXING LUGS - 265mm

PRODUCT	FFL517
LENGTH	SYSTEM
265mm	Halo Eurocell Synerjy Duraflex



PRODUCT	FFL527
LENGTH	SYSTEM
265mm	Duraflex Synerjy Spectus 70 Deceuninck Shield 70 Liniar Eurocell Rehau S706



FI FIXING LUGS - 300mm

PRODUCT	FFL036
LENGTH	SYSTEM
300mm	Spectus 70



Ft

Foiled Trims

We have a range of trims in the more unusual foiled finishes, helping you out in a hurry.

The range includes a variety of sizes allowing you to trim, join and cover up in a colour matched finish.



GET OUT OF JAIL CARD



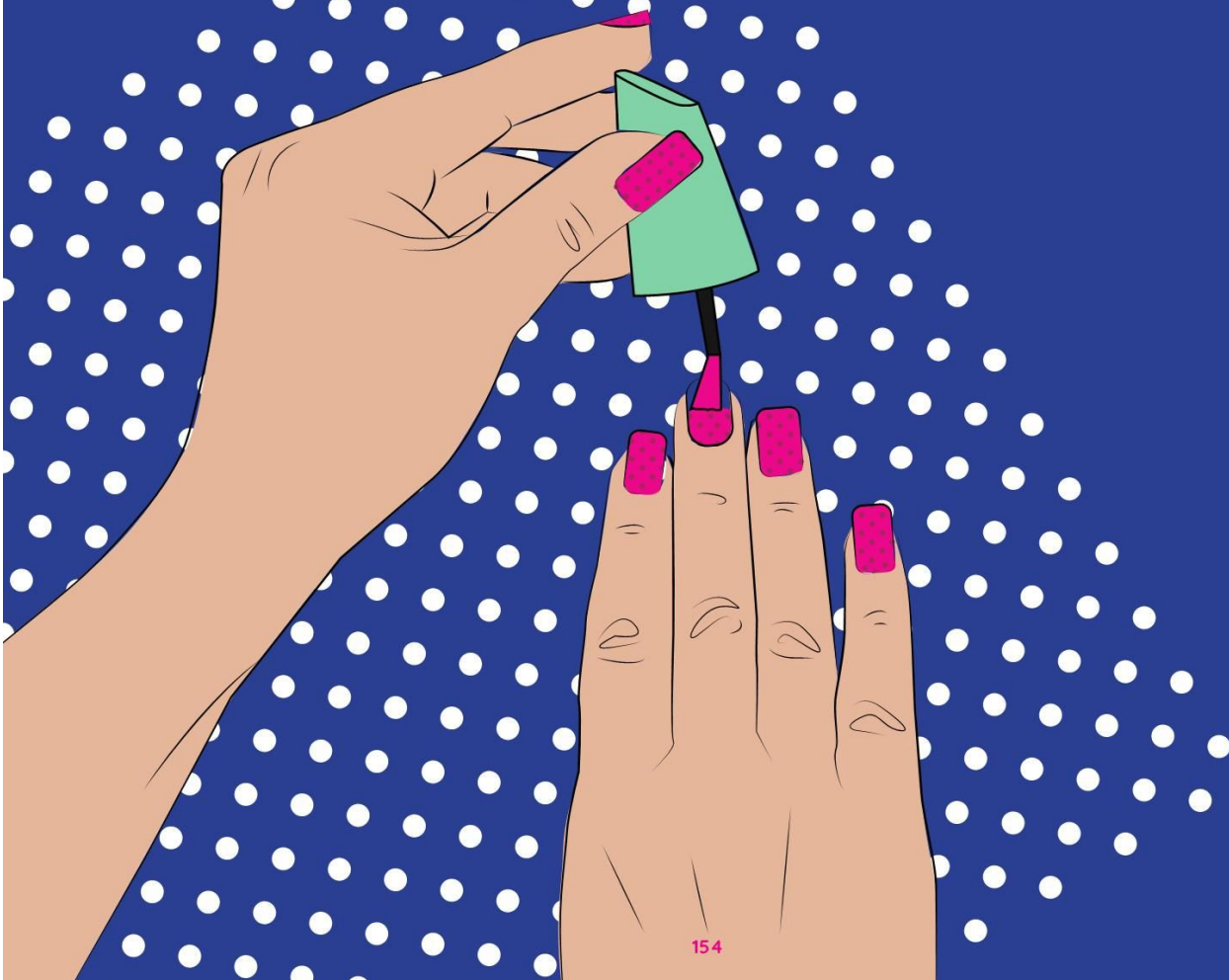
VARIOUS COLOURS



INSTALLER FRIENDLY



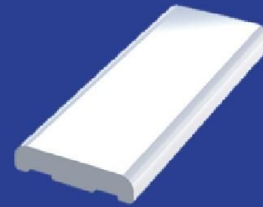
VARIOUS DESIGNS



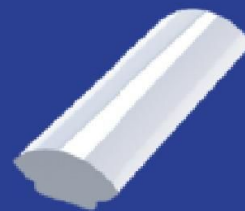
154

Ft FOILED TRIMS

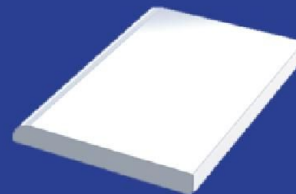
PRODUCT	D-MOULD
PART No.	DESCRIPTION
FTD	25mm D-Mould



PRODUCT	QUADRANT
PART No.	DESCRIPTION
FTQ	17.5mm Quadrant



PRODUCT	ARCHITRAVE
PART No.	DESCRIPTION
FTA	45mm Architrave



PRODUCT	BOARD
PART No.	DESCRIPTION
FTB	150mm Board



Ft

Fq

FAQs

Here at Window Widgets we are here to help!

Our website has all the up to date product information, including all of our colour choices. If you need any further assistance, our fully trained Customer Service Team are here to help you, so pick up the phone! Office hours are 8.30am to 5pm, Monday to Friday. After 5pm? No worries! You can send any questions via email to orders@windowwidgets.co.uk



ENVIRONMENTAL POLICY



COMPANY NEWS



REQUEST A CALL BACK



GENERAL ENQUIRY



CONTACT US



CUSTOMER SUPPORT



156

Fq **FAQs****Q. What materials do you use?**

A. We use the same BS4713 window grades of PVC that are used by major system suppliers. We also have the same guarantees that they have. Our aluminium is a mill finish aluminium alloy 6063 T6 unless specified. This grade has superior strength to T5 grades.

Q. Are you CE Marked approved?

A. We are fully CE Mark approved for the majority of our products, this requires a Factory Process Control; certification EN1090-2 under the new CE Marking regulations.

Q. Do you have any BBA approved products?

A. Yes, all our Jacks and Brackets are BBA approved.

Q. What is your minimum order quantity?

A. Only one pack or box! We do not split packs or boxes, all quantities can be found on our website www.windowwidgets.co.uk

Q. Do you manufacture your own products?

A. Yes, we have in-house injection moulding and extrusion facilities. We also partner with industry leading specialist providers for bought-in products.

Q. Can I request samples?

A. Yes, please get in contact with us.

Q. Where can I find your Coupler deductions?

A. We have all this information on the website www.windowwidgets.co.uk

Q. How do I know what load your coupler will take at a specific height?

A. Each loadable coupler has a chart with what load it can take at specific heights, if your height is not shown please get in touch.

Q. What load will your Baypole Jack take?

A. We have tested our Jacks to 9 tonnes of compression and guarantee up to 2 tonnes giving a factor of safety of at least two.

Q. Do you have a Baypole fitter's guide?

A. Yes, see pages 78 - 81.

Get in Touch

01452 300912 | sales@windowwidgets.co.uk | windowwidgets.co.uk

Window Widgets (2006) Limited Unit C, Quedgeley West Business Park, Bristol Road, Gloucester, GL2 4PA